
Basket Sofa - Fully Upholstered, 3-seater

Designed by Joe Colombo - 1967



ITEM NUMBER

43905

DESCRIPTION

The name 'Basket' honors the classic hand-weaving technique used in rattan basketry. The collection comprises a three-seater sofa, a two-seater sofa, and a lounge chair, all of which share the same construction. Replacing the inner fiberglass shell that Colombo initially utilized, the core of each piece is now formed from a more environmentally responsible steel skeleton, which provides strength and stability to the unique form. This is covered with a hand-woven rattan skin, made from interlaced strips and oval stakes, a technique that demands a tremendous degree of skill and craftsmanship to create.

Materials & Finishes

BASE FINISH

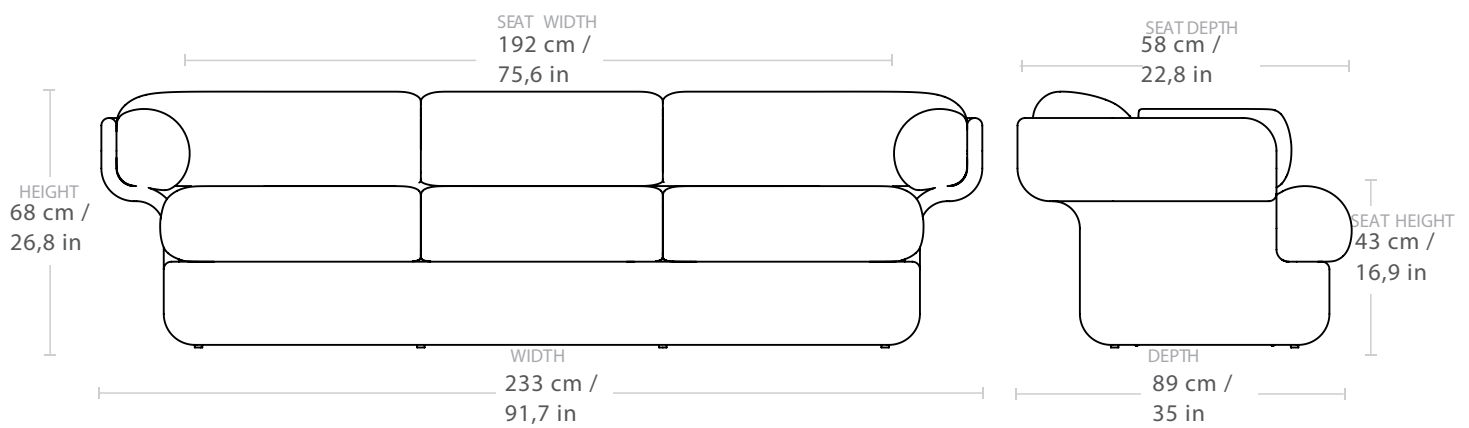
Polyurethane coated



MATERIALS

Rattan, foam, wadding, fabric upholstery

Dimensions



WIDTH	233 cm / 91,7 in
DEPTH	89 cm / 35 in
HEIGHT	68 cm / 26,8 in
SEAT WIDTH	192 cm / 75,6 in
SEAT DEPTH	58 cm / 22,8 in
SEAT HEIGHT	43 cm / 16,9 in
ARMREST HEIGHT	21 cm / 8,3 in

Weight

TOTAL WEIGHT	54 kg / 119,1 lbs
--------------	-------------------

Upholstery Consumption

FABRIC

X 140 CM FABRIC WIDTH / X 55 IN FABRIC WIDTH

FULLY UPHOLSTERED	500 cm / 216,5 in
-------------------	-------------------

Number of parcels 1

PACKAGING LENGTH 240 cm / 94,5 in

PACKAGING WIDTH 97 cm / 38,2 in

PACKAGING HEIGHT	72 cm / 28,3 in
PACKAGING WEIGHT	11,5 kg / 25,4 lbs
GROSS WEIGHT	65,5 kg / 144,4 lbs

Test & Certifications

TSCA	YES
CALIFORNIA TB 117	YES
BS 5852 (CRIB 5)	YES