

产品参数

使用环境	仅室内使用
材质	粉末涂层铝, 不锈钢, 硅胶, 玻璃
颜色	黑色
重量	1.5公斤 / 3.3 磅
供电	表面由织物编织层覆盖的电源线, 带插头
电源线长度	2米/78.7英寸
伏特 (V) *	220-240V~ 50/60Hz 或 120V~60Hz
光源*	E14 MAX 15 Watt 或 E12 MAX 22 Watt
能源效率	A++ - E
IP 值**	20 / 干燥环境下使用
调光***	可另配调光器

要获得更多参数, 请浏览 vipp.com

* 光源具有区域依赖性。查看您的灯罩内部以了解详细信息。

** 与Vipp配套挂壁式适配器一起使用, 可达到IP44值。

*** 请注意, 出厂标准灯具是不可调光。如果灯具加装了可调光LED灯泡和合适的调光器, 则可以进行调光。

PRODUCT SPECIFICATIONS

Environment	Indoor use only
Materials	Powder-coated aluminium, stainless steel, silicone, glass
Colour	Black
Weight	1,5 kg / 3.3 lbs.
Supply	Fabric-covered cord with a plug
Cord length	2 m / 78.7 in
Voltage (V)*	220-240V~ 50/60Hz or 120V~ 60Hz
Light source*	E14 MAX 15 Watt or E12 MAX 22 Watt
Energy efficiency	A++ - E
IP class**	20 / dry locations only
Dimming***	Possible with retrofit

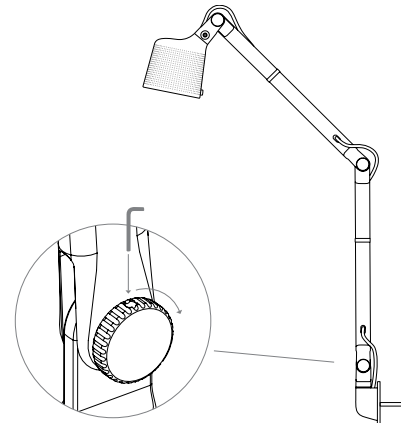
For further specifications, please visit vipp.com

* Light source is regionally dependent. Look on the inside of your lampshade for details.

** IP44 achievable if used with the Vipp wall mount adapter.

*** Please note that the lamp is not dimmable from the factory. Dimming is possible if the lamp is retrofitted with a dimmable LED bulb and a suitable dimmer.

FIG. 4 LAMP POSITION / 图4 灯具位置



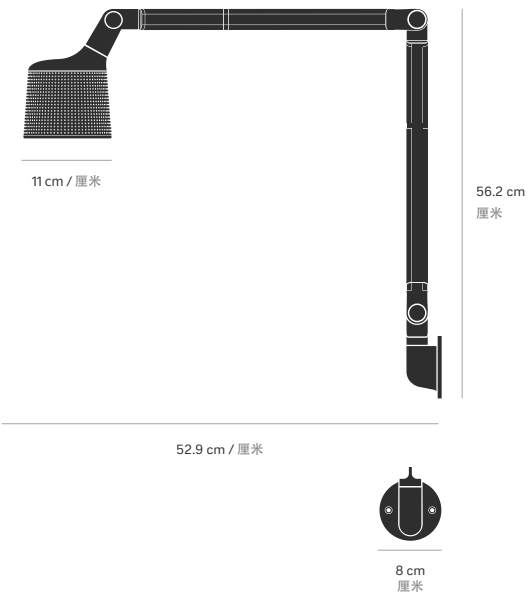
SETTING LAMP POSITION

Set the position of the lamp by tightening the finger screws. Use a hex key or similar tool for assistance (see fig. 4).

调节灯具位置

通过手拧式螺丝调节灯具的位置。可使用六角扳手或类似工具(图4)。

DIMENSIONS / 尺寸



Vipp522 Wall lamp | Vipp522 壁灯



vipp

INSTALLATION

ATTENTION: Switch off the power supply before any operation such as replacement of the bulb, cleaning and connection to mains. Qualified local assistance may be necessary to ensure correct preparation and installation of your lamp.

- A. Surface mounted with externally routed cord (visible cord) (see fig. 1)
 - B. Surface mounted directly on electrical junction box (hidden cord) (see fig. 2)
- Mark for holes on the wall, drill and insert wall plugs (see fig. 1 / fig. 2).
 - Option A (see fig. 1), mount the lamp by securing the screws to the wall.
 - Option B (see fig. 2), cut the cord to the correct length, connect to mains and mount the lamp by securing the screws to the wall/junction box.

WALL MOUNT ADAPTER / IP44 OPTION

If the lamp for specific reasons cannot be installed as option B, a specially designed wall mount adapter can be acquired (sold separately) by visiting vipp.com. The specified wall mount adapter must be used if the lamp is to be installed in a IP44 zone. Note, the IP44 rating is only applicable if option B is used.

安装

注意! 在进行任何操作 (例如更换灯泡, 清洁和链接电源) 之前, 请先关闭电源。必要时, 需要当地合格技术支持以确保合规预埋, 以及进行灯具安装工作。

- A. 表面安装外部布线 (明线) (见图1)
- B. 表面直接安装在电器底盒上 (隐藏线) (见图2)

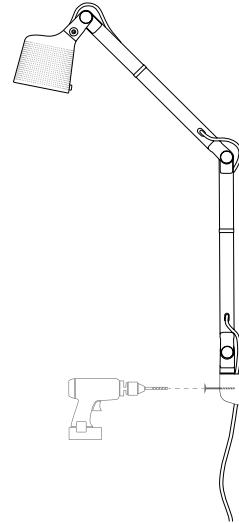
- 墙上标好开孔位置, 钻孔并插上电源插座。(见图1 / 图2)
- 选项 A (见图1), 将螺钉把灯具固定到墙上。
- 选项B (见图2), 将灯具电源线根据剪成所需长度, 连接至电源, 并将灯具用螺钉固定在墙壁, 或者墙面底盒上。

挂壁式适配器/IP44选项

如果特殊情况无法按照选项B 进行安装, 可以访问vipp.com 获取 (额外购买) 的专用挂壁式适配器。如果灯具需要安装在IP44值区域中, 则必须配套专用挂壁式适配器。请注意, IP44等级仅适用于安装选项B情况下进行。

A: FIG. 1 VISIBLE CORD

选项A: 图1 明线方式



B: FIG. 2 HIDDEN CORD

选项B: 图2 隐藏线方式

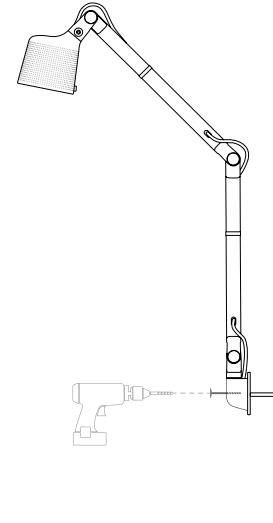
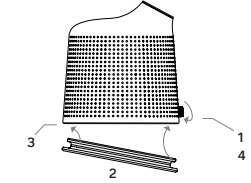


FIG. 3 LIGHT BULB CHANGE / 图3 更换灯泡



ATTENTION: Switch off the power supply before any operation such as replacement of the bulb, cleaning, connection to mains etc. (see fig. 3)

1. Loosen the finger screw on the back of the lamp shade while holding underneath the glass diffuser.
2. Remove the glass diffuser and change the bulb.
3. Re-mount the glass diffuser by clicking it in on the front side of the lamp.
4. Tighten the finger screw to secure the glass diffuser.

更换灯泡

注意, 在进行任何操作之前要关闭电源, 例如更换灯泡, 清洁, 链接到电源等。(见图3)

1. 握住玻璃扩散器下方, 同时松开灯罩背面的手拧式螺丝。
2. 取下玻璃扩散器并更换灯泡。
3. 把玻璃扩散器装上并扣好。
4. 拧紧手拧式螺丝以固定玻璃扩散器。

CONTACT | 联系方

VIPP HEADQUARTERS
Snorresgade 22 | 2300 Copenhagen S | Denmark
+45 4588 8800 | info@vipp.com

vipp.com