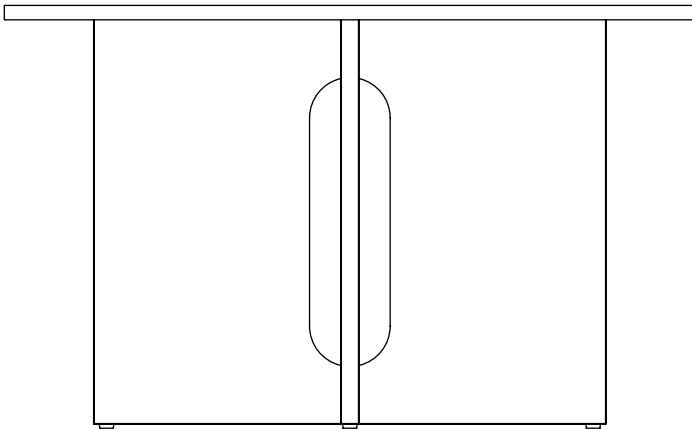


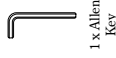
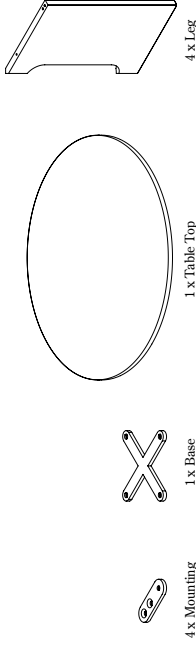
Audo

COPENHAGEN



ANDROGYNE DINING TABLE, ROUND
Designed by *Danielle Siggerud*

Component Overview



1 x Allen Key



16 x M6x20



4 x M6x12



4 x Gilders



4 x Dowels

Congratulations with your ANDROGYNE DINING TABLE designed by *Danielle Siggerud*.

We hope you will enjoy using this item and follow these instructions to ensure correct assembly. These instructions are provided for your safety.

It is important that the instructions are read carefully and completely before assembling.

Important information

This manual is for:

- Androgyne Dining Table, Ø120 cm, Natural Oak
- Androgyne Dining Table, Ø120 cm, Dark Stained Oak
- Androgyne Dining Table, Ø120 cm, Natural Oak & Kunis Breccia Tabletop
- Androgyne Dining Table, Ø120 cm, Dark Stained Oak & Kunis Breccia Tabletop
- Androgyne Dining Table, Ø150 cm, Natural Oak
- Androgyne Dining Table, Ø150 cm, Dark Stained Oak

The assembling is the same across all variants.

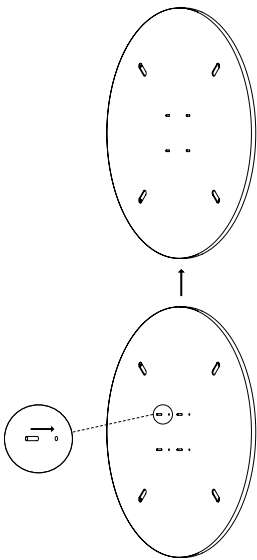
Caution

Please ensure that all assembly is done on a soft and flat surface, to ensure that the components will not be damaged/scratched.

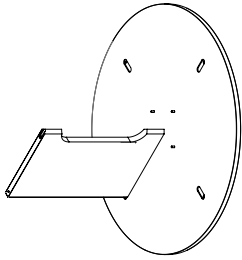
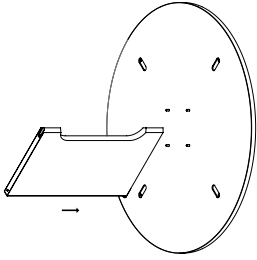
Care and maintenance

Please see care instructions on www.audocph.com

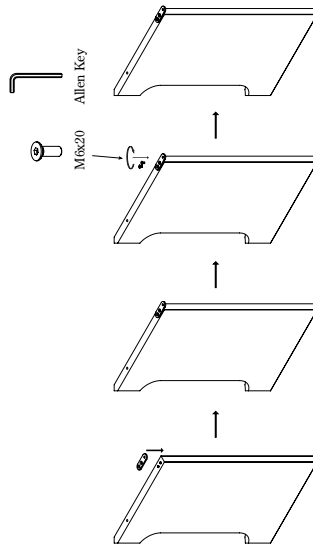
1



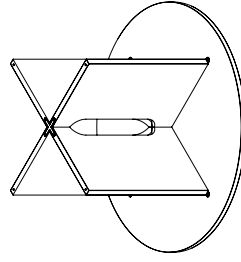
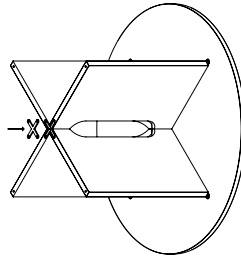
3



2

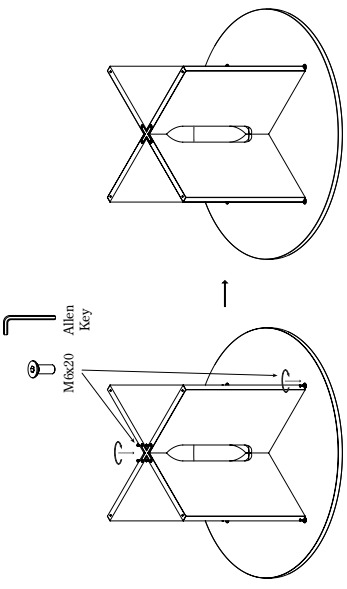


4

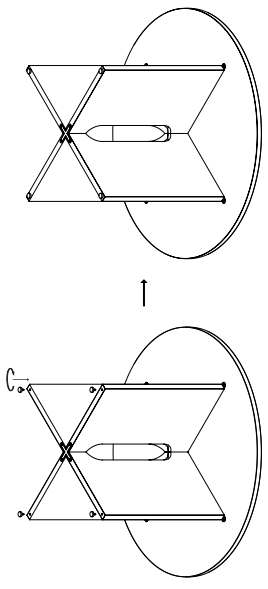


⑥

FOR WOOD TABLETOP

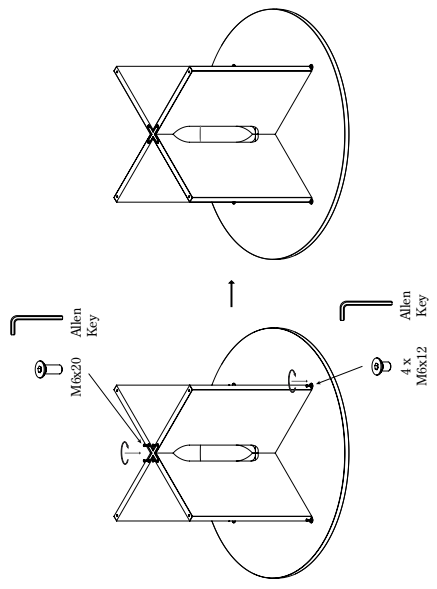


⑦



⑥

FOR STONE TABLETOP



⑧

