

## 產品規格

適用環境	僅限室內使用
材質	粉末涂层铝, 不锈钢, 硅胶, 玻璃
顏色	黑色
重量	0,8公斤
供應	表面由织物编织层覆盖的电源线, 带插头
電源線長度	2米
瓦數(V)	220-240V~ 50/60Hz
燈源	E14 MAX 15 Watt
能源效率	A++ - E
IP 分類*	20 / 限乾燥的地方
調節亮度**	可能改裝

\* 可使用IP44, 如果燈具接線道牆內。

\*\* 請注意原廠出廠的燈是無法調整亮度的. 如果燈具採用可調光LED燈泡和等效調光器進行改裝, 則可以進行調光

要获得更多参数, 請浏览 [vippp.com](http://vippp.com)

## PRODUCT SPECIFICATIONS

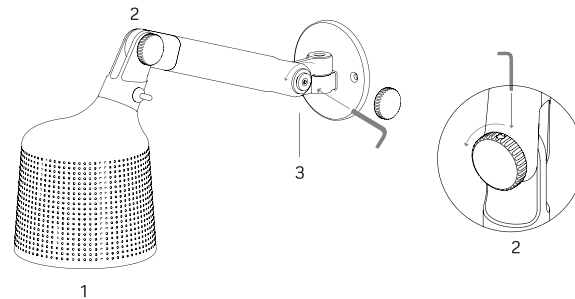
Environment	Indoor use only
Materials	Powder-coated aluminium, stainless steel, silicone, glass
Colour	Black
Weight	0,8 kg
Supply	Fabric-covered cord with a plug
Cord length	2 m
Voltage (V)	220-240V~ 50/60Hz
Light source	E14 MAX 15 Watt
Energy efficiency	A++ - E
IP class*	20 / dry locations only
Dimming**	Possible with retrofit

\* IP44 achievable if used with the Vippp wall mount adapter.

\*\* Please note that the lamp is not dimmable from the factory. Dimming is possible if the lamp is retrofitted with a dimmable LED bulb and a suitable dimmer.

For further specifications, please visit [vippp.com](http://vippp.com)

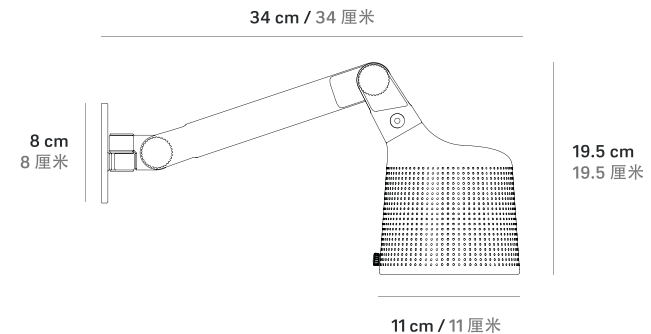
## FIG. 4 LAMP POSITION / 图 4 灯具位置



1. By holding the lamp shade, move the lamp up/down and left/right until the desired position is obtained.
2. If necessary, set the position of the lamp shade by tightening the finger screw. Use a hex key or similar tool for assistance.
3. In very rare cases and as a natural wear process of the lamp, the tension in the friction joint may become slightly loose whereby the lamp will not hold position. Remove the finger screw, and slightly tighten the small screw using a hex key.

1. 由上下或左右調整燈罩至適合的照明位置。
2. 若需固定位置, 可以使用六角扳手調整旋鈕鬆緊。
3. 在極少數的案例中, 和自然使用的耗損下, 接縫處因磨擦或拉力造成略為鬆動, 因此壁燈位置可能會偏移。可以先將旋鈕蓋摘除, 以六角扳手重新鎖緊內部螺絲。

## DIMENSIONS / 規格尺寸



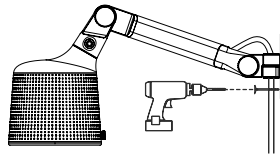
## VIPPP523 Wall Lamp Small | VIPPP523 壁灯



vipp

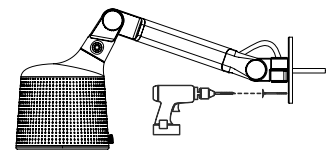
A: FIG. 1 VISIBLE CORD

A: 詳見圖1



B: FIG. 2 HIDDEN CORD

B: 詳見圖2



### INSTALLATION

**ATTENTION:** Switch off the power supply before any operation such as replacement of the bulb, cleaning and connection to mains. Qualified local assistance may be necessary to ensure correct preparation and installation of your lamp.

A. Surface mounted with externally routed cord (visible cord) (see fig. 1)

B. Surface mounted directly on electrical junction box (hidden cord) (see fig. 2)

- Mark for holes on the wall, drill and insert wall plugs (see fig. 1 / fig. 2).

- Option A (see fig. 1), mount the lamp by securing the screws to the wall.

- Option B (see fig. 2), cut the cord to the correct length, connect to mains and mount lamp by securing the screws to the wall/junction box.

### WALL MOUNT ADAPTER/IP44 OPTION

If the lamp for specific reasons cannot be installed as option B, a specially designed wall mount adapter can be acquired (sold separately) by visiting [vipp.com](http://vipp.com). The specified wall mount adapter must be used if the lamp is to be installed in a IP44 zone. Note, the IP44 rating is only applicable if option B is used.

### 安裝方式

注意 在更換燈泡，清潔，連接到電源等任何操作之前，請關閉電源。如果有需要，請聯繫當地水電技師協助安裝。

A) 電線外露的牆面安裝 (詳見圖1)

B) 直接銜接到牆內的電線 (隱藏電線) (詳見圖2)

- 這牆面上做記號，鑽洞，安插電線，並將螺絲固定到牆上來安裝燈(詳見圖 1 / 2)

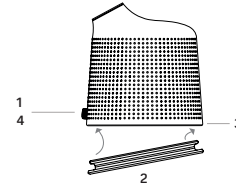
- 選項A (詳見圖1)，將壁燈直接鎖上牆面

- 選項B (詳見圖2)，將電線剪到適合的長度，將主要電源線接上燈具並鎖上牆面

### IP44安裝方式

如果由於特定原因導致燈泡不能作為選項B安裝，可以通過Vipp台灣總代理另外購買專門設計的壁掛式適配器。如果將燈泡安裝在IP44區域，則必須使用指定的壁掛式適配器。請注意，IP44等級僅適用於選項B。

FIG. 3 LIGHT BULB CHANGE / 燈泡替換



**ATTENTION:** Switch off the power supply before any operation such as replacement of the bulb, cleaning, connection to mains etc. (fig. 3)

1. Loosen the finger screw on the back of the lamp shade while holding underneath the glass diffuser.
2. Remove the glass diffuser and change the bulb.
3. Re-mount the glass diffuser by clicking it in on the front side of the lamp.
4. Tighten the finger screw to secure the glass diffuser.

注意, 在进行任何操作之前要关闭电源, 例如更换灯泡, 清洁, 链接到电源等。(见图3)

1. 握住玻璃扩散器下方, 同时松开灯罩背面的手拧式螺丝。
2. 取下玻璃扩散器并更换灯泡。
3. 把玻璃扩散器装上并扣好。
4. 拧紧手拧式螺丝以固定玻璃扩散器。

### CONTACT | 联系方式

VIPP HEADQUARTERS  
Snorresgade 22 | 2300 Copenhagen S | Denmark  
+45 4588 8800 | [info@vipp.com](mailto:info@vipp.com)

VIPP SHANGHAI SHOWROOM  
上海市黄浦区半松园路388号B4-2-C1邮编 200011  
B4-2-C1, No. 388 Ban Song Yuan Road, Huangpu District, 200011 Shanghai, PRC  
[expo.sh@vipp-cn.com](mailto:expo.sh@vipp-cn.com)

[vipp.com](http://vipp.com) | @vipp

V.1 2021

vipp

