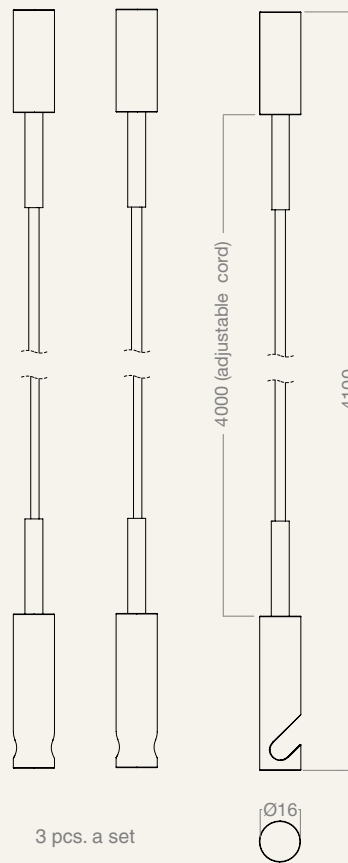


# CARRY HOOKS

PRODUCT DETAILS, TECHNICAL DETAILS  
AND FITTING INSTRUCTIONS



**ITEM NUMBERS:**

CA16-3, CA16-3-BOC, CA16-3-BMG, CA16-3-BCB,  
CA16-3-P, CA16-3-C, CA16-3-GO, CA16-3-B & CA16-3-W

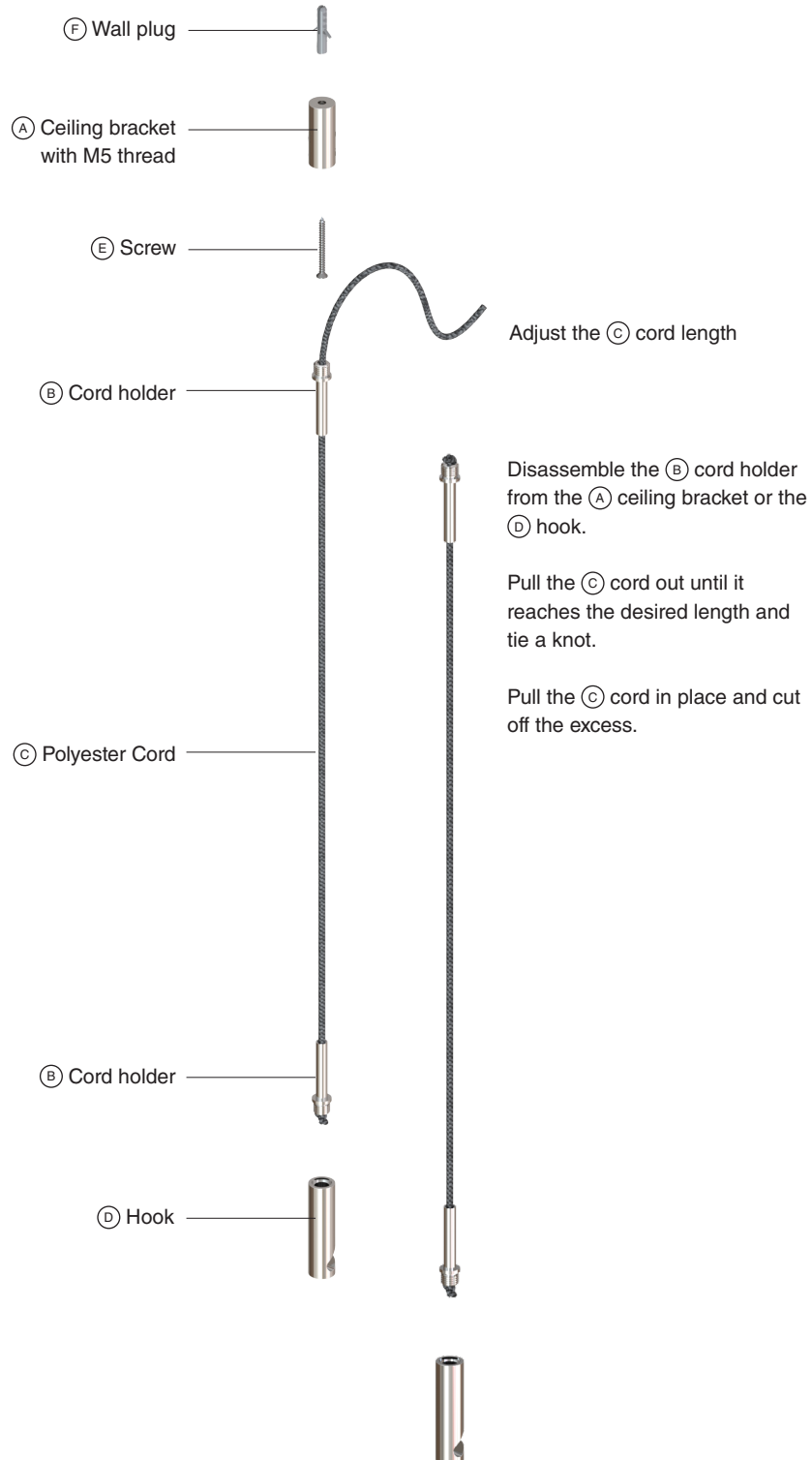
**MATERIAL: STAINLESS STEEL / POLYESTER CORD**

**DESIGNED BY HENRIK TENGLER**

## ADJUST THE CORD

IN THE BOX:

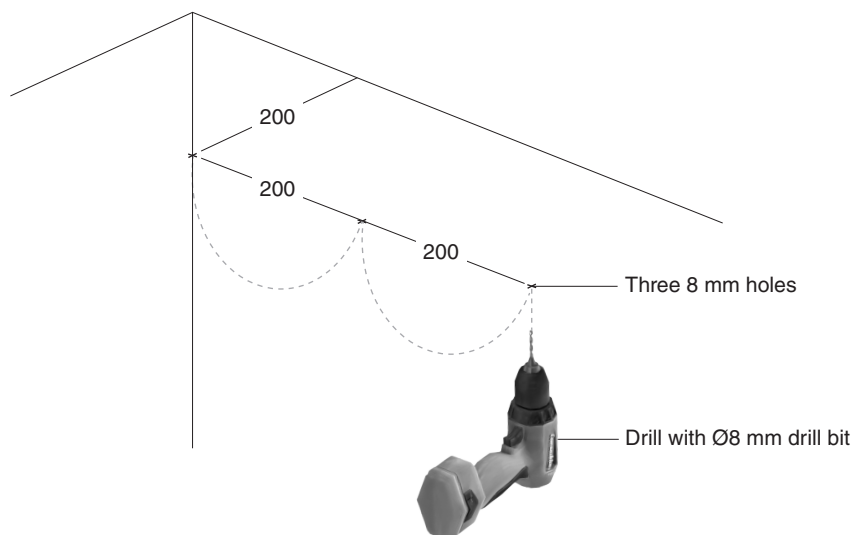
- 3 x (A) Ceiling bracket
- 6 x (B) Cord holder
- 3 x (C) Polyester cord (4 m)
- 3 x (D) Hooks
- 3 x (E) Screws (Ø5 x 50 mm)
- 3 x (F) Wall plugs (Ø8 x 40 mm)



## DRILL HOLES IN CEILING

Drill three 8 mm holes in the ceiling.

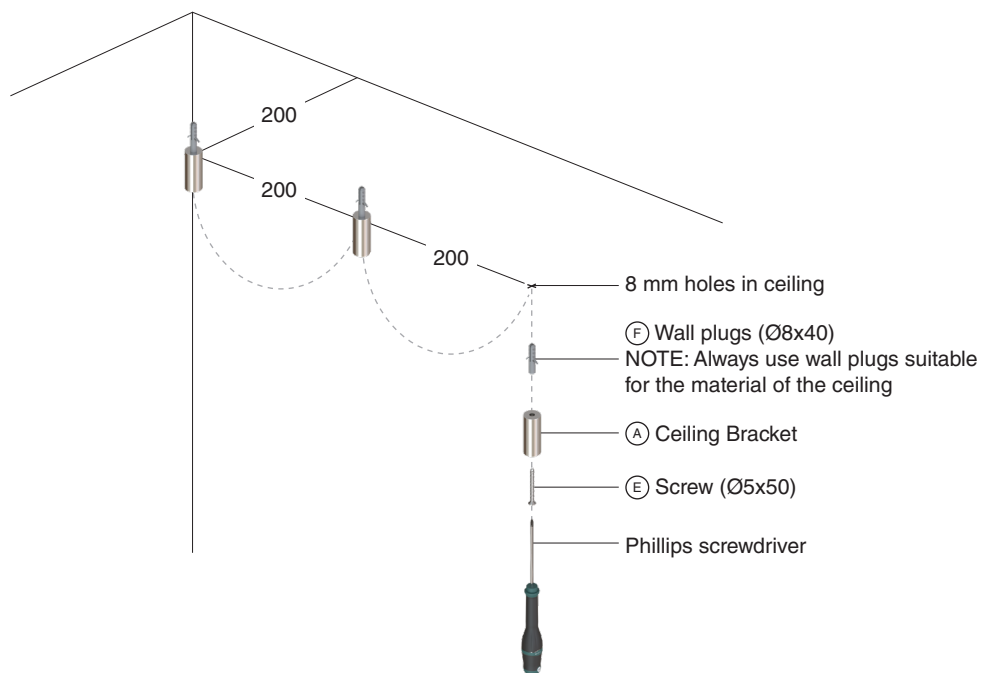
- ① NOTE: The following measurements is only for inspiration you can create your own desired look.



## MOUNTING OF CEILING BRACKET

Disassemble the ② cord holders from the ① ceiling brackets.

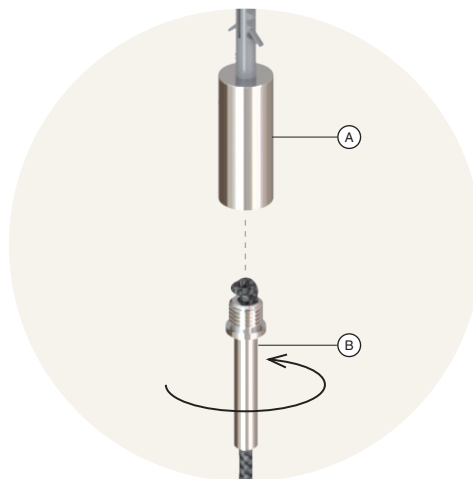
- ② Mount the ① ceiling brackets as illustrated.



## MOUNTING OF HOOK

To mount the hook, rotate the ② cord holder counter clockwise into the ① ceiling bracket until it is secure.

- ③



#### **CLEANING AND MAINTENANCE**

Surfaces should be cleaned with a microfiber cloth, glass cleaner or other non abrasive and gentle agents.

#### **ATTENTION:**

Never use solvents or aggressive household cleaners like bleach, acids (e.g. descalers) or ammonia-based bathroom cleaner to clean the product. Steel wool and hard brushes can permanently damage the surface of the steel.

#### **EXCLUSION OF LIABILITY**

FROST accepts no liability whatsoever for damage to persons or property that occurs or has occurred as a result of improper installation or maintenance, particularly if the safety instructions and other points to note listed are not or have not been observed in full.

#### **WARNING AND HAZARD NOTICES**

Improper mounting or use can lead to accidents and serious injuries.

**[www.frostdenmark.com](http://www.frostdenmark.com)**

We are also to be found as frostdenmark on Facebook,  
Instagram, Pinterest and LinkedIn

