

CONTACT

VIPP HEADQUARTERS

Snorresgade 22 | 2300 Copenhagen S | Denmark
+45 4588 8800 | info@vippp.com

VIPP HOME - STORE & SHOWROOM

Ny Østergade 34 | 1101 Copenhagen K | Denmark
+45 4588 8815 | cph@vippp.com

VIPP USA LLC SHOWROOM

39 Lispenard Street, 5th floor | New York, NY 10013 | USA
+1 (646) 877 5347 | vipppusa@vippp.com

vippp.com

vippp

V.11022



PRODUCT SPECIFICATIONS

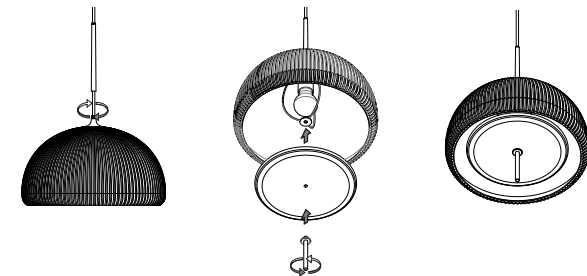
Environment	Indoor use only.
Materials	Glass, aluminium.
Weight	3,5 kg / 10.58 lbs.
Supply	Fabric cord.
Cord length	3 m / 118.1 in.
Voltage (V)*	220-240V~ 50/60Hz.
Light source*	E27 incandescen lamp max 40W or LED max 9W.
Energy efficiency	A++ - E.
IP class	20 / dry locations only.
Dimming*	Possible with retrofit.

* Light source is regionally dependent.
Look on the inside of your lampshade for details.

** Please note that the lamp is not dimmable from the factory.
Dimming is possible with a dimmable LED bulb and a suitable dimmer.

For further specifications, please visit vippp.com.

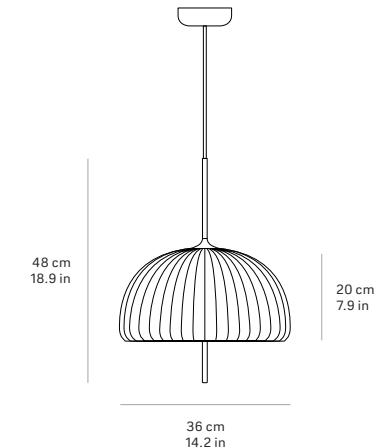
ASSEMBLY



To optimize packaging, the pendant comes partly disassembled. Before use the following parts should be assembled:

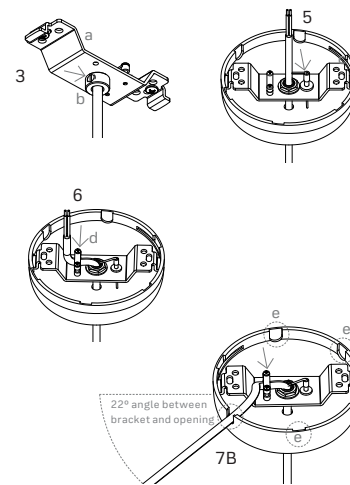
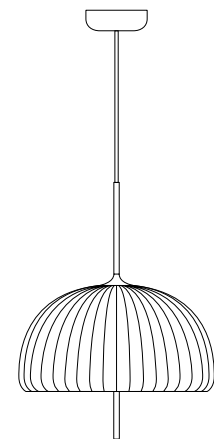
- 1 Screw the metal tube onto the thread on top of the lamp shade.
- 2 Insert the peg with the threaded end through the hole in the glass diffuser. While carefully holding the glass diffuser, screw the peg into the wireframe inside the lamp.
- 3 Make sure all parts are fully screwed together to avoid accidents.

DIMENSIONS



VIPP595 Sculpture Pendant

BEFORE INSTALLATION

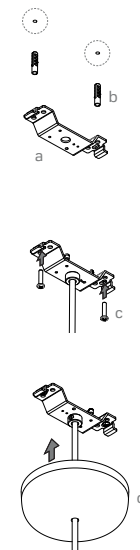
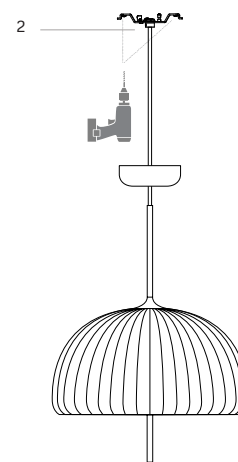


BEFORE INSTALLATION

Before beginning the installation process, please follow the guide below to achieve the best possible fit and look of the lamp.

- 1 Carefully unbox the lamp and unwind the power cord. When moving the lamp shade avoid hard impact against surface and edge.
- 2 Start by measuring the distance from ceiling to the lamp. Adjust the cord length accordingly by sliding the cord through the bracket (a).
- 3 When the height is set, and the power cord has the desired length, tighten the strain relief (b) under the mounting bracket lightly.
- 4 On top side of the bracket, separate safety wire and cord. This can be done by carefully cutting a hole in the cord's sleeve using scissors.
- 5 Insert wire tightly through the built in wirelock (c). Fix the position of the wire by screwing the wirelock's cap clockwise.
- 6 After locking the position of the wire, insert the cord loosely through the second strain relief (d). Tighten both screws on top of the strain relief.
- 7A If the lamp is positioned directly on the power outlet, do not adjust the canopy at this point.
- 7B If the lamp is positioned next to a power outlet, cut a hole in one of the four designated areas (e). Please note that the angle between the bracket and the cut hole will vary depending on which of the four areas the hole has been cut in.

INSTALLATION



INSTALLATION

ATTENTION Switch off the power supply before any operation such as replacement of the bulb, cleaning, connection to mains etc.

NOTE Terminal block is not included. Installation may require advice from a qualified person according to local law. Use connection device according to EN 60998-2-1, with two screw terminals, with a connecting capacity of at least $2 \times 0.75 \text{ mm}^2$ and minimum voltage of 250V.

If the external flexible cable or cord of this luminaire is damaged, it shall be exclusively replaced by the manufacturer or his service agent or a similar qualified person in order to avoid a hazard.

- 1 Mark position for drilling using the lamp's own mounting bracket (a). Mark position through the oval holes on each side of the bracket. If the lamp is mounted next to the power outlet, evaluate the angle between opening in canopy and position of bracket before drilling.
- 2 Drill the holes and insert plugs (b) according to ceiling construction.
- 3 Install the mounting bracket by screwing in the included screws (c). The screws should be installed using the oval holes in the bracket, making micro-adjustments possible.
- 4 Install the canopy (d) by sliding it onto the mounting bracket and rotating it either way.

