

Audo

COPENHAGEN



BRASILIA LOUNGE CHAIR
Designed by *Anderssen & Voll*



BRASILIA LOUNGE CHAIR
Designed by *Anderssen & Voll*

Designed for Audo by Anderssen & Voll, the Brasilia Lounge Chair is inspired by Scandinavian mid-century design aesthetics and Brazilian Modernism. Chunky wooden legs lend a feeling of strength and stability to the design, while the upholstered back, seat and armrests add a sense of comfort and ease.

PRODUCT OPTIONS

Seat



WITH UPHOLSTERY

WITH SHEEPSKIN

Oak or walnut base



NATURAL OAK

DARK STAINED OAK

WALNUT

Spec options

Available in fabrics from our upholstery programme. Standard lead times apply.

For custom upholstery, please refer to the guiding textile/leather consumption:

COM: 2,45 m / 2,7 yds

COL: 6,9 m² / 74,3 sqft

Prices excl. custom upholstery are equal to Price Category 1 Textile or Leather. Contact Sales support for approval of custom upholstery and to place your order.

The above textile consumption is only valid for textile rolls with a width equal to or greater than 140 cm. For smaller textile rolls, please contact Sales Support for guidance. For textile with pattern, please expect a higher usage for correct pattern fitting. Please contact Sales Support for guidance.

TECHNICAL SPECIFICATIONS

PRODUCT TYPE
Lounge Chair

COLLI
1

ENVIRONMENT
Indoor

DIMENSIONS

H: 82 cm / 32,3"

SH: 39 cm / 15,4"

AH: 51 cm / 20,1"

W: 96 cm / 37,8"

D: 84 cm / 33,1"

PRODUCTION PROCESS

The base is constructed of shaped and joined wood parts. The seat and back is made by moulded foam around a steel frame. The final process is to upholster according to a chosen material.

COLOUR

Seat

Dependent upon selected upholstery

Base

Natural oiled oak

Dark stained oak

Oiled walnut

GLOSS

N / A

MATERIALS

Solid oak or walnut, cold cured foam, steel tubes, plywood and upholstery

WEIGHT

25 kg / 55,11 lb

TEST

EN1022:2005, L2

EN16139:2013, L2

CERTIFICATIONS

TSCA title IV compliant

Crafted from FSC certified wood

PACKAGING TYPE

Brown box

PACKAGING MEASUREMENTS

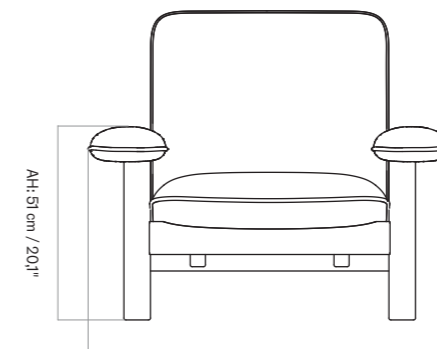
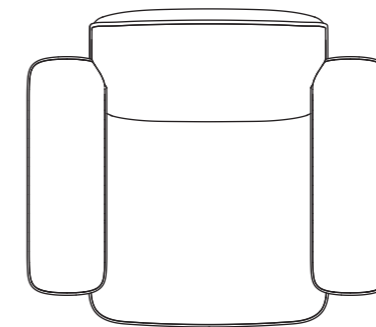
(H × W × D)

103 cm × 89,8 cm × 87 cm /

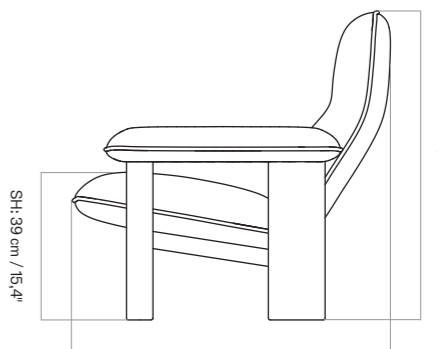
40,5" × 35,3" × 34,2"

MATERIALS & MAINTENANCE

Please visit audocph.com for materials, care and maintenance instructions.



W: 96 cm / 37,8"



D: 84 cm / 33,1"