

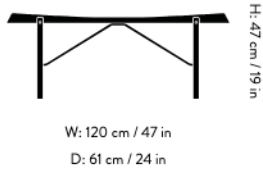
X HM13

Hvidt & Mølgaard 1959



X HM13

Hvidt & Mølgaard 1959



Product description

Coffee table

Environment

Indoor

Material

Form-pressed veneer with water-based lacquer and powder-coated steel. This product has not been treated with any biocides.

Production process

The table top is made from veneer sheets that are form-pressed around a solid wood insert. It is then milled into shape and lacquered. The stainless steel frame is powder-coated.

Dimensions

W: 120 cm / 47 in

H: 47 cm / 19 in

D: 61 cm / 24 in

Weight

12.5 kg

Strength, Durability and Safety Testing

EN 15372 Level 2 - Tables

Certifications



FSC® 100%

Gliders

Plastic gliders as standard

Manufacturer

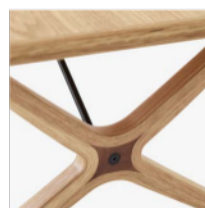
Produced in PRC by Nine United Limited

Cleaning Instructions

Please see our [Maintenance & Care instructions here](#)

Stock Items

Lacquered Oak and Walnut



→ Lacquered Oak
and Walnut

&Tradition®

Recycling & Disassembly

X^{HM13}

RECYCLING

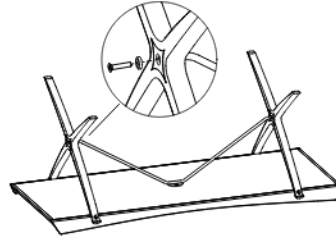
The X table is built to last, and we hope that your X table will serve you for many years. The table is made from solid wood and wood veneer, and can be easily separated from its stretcher. All metal and wooden parts can be separated and delivered to a suitable recycling station.

SPARE PARTS

To purchase spare parts for your X table, please write to our sales support team at info@andtradition.com with your query.

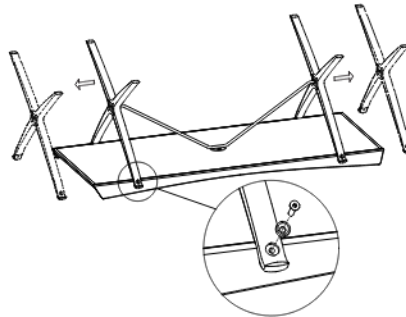
5 YEAR WARRANTY

&Tradition provides a 5-year warranty with every X table, which covers faults which were present at the time of purchase, or which have occurred as a result of a manufacturing defect. The warranty is valid from the date stated on the original invoice.



DISASSEMBLY

1. Place the table upside down on a soft, flat surface. Use an Allen Key to remove the long screw connecting the legs and stretcher. Turn counterclockwise to loosen it, and then remove both the screw and washer.



2. Remove the screws and washers connecting the legs with the tabletop. Then, slide the legs off the ends of the stretcher.

3. Finally remove the screws connecting the stretcher with the table top before separating these two parts.

