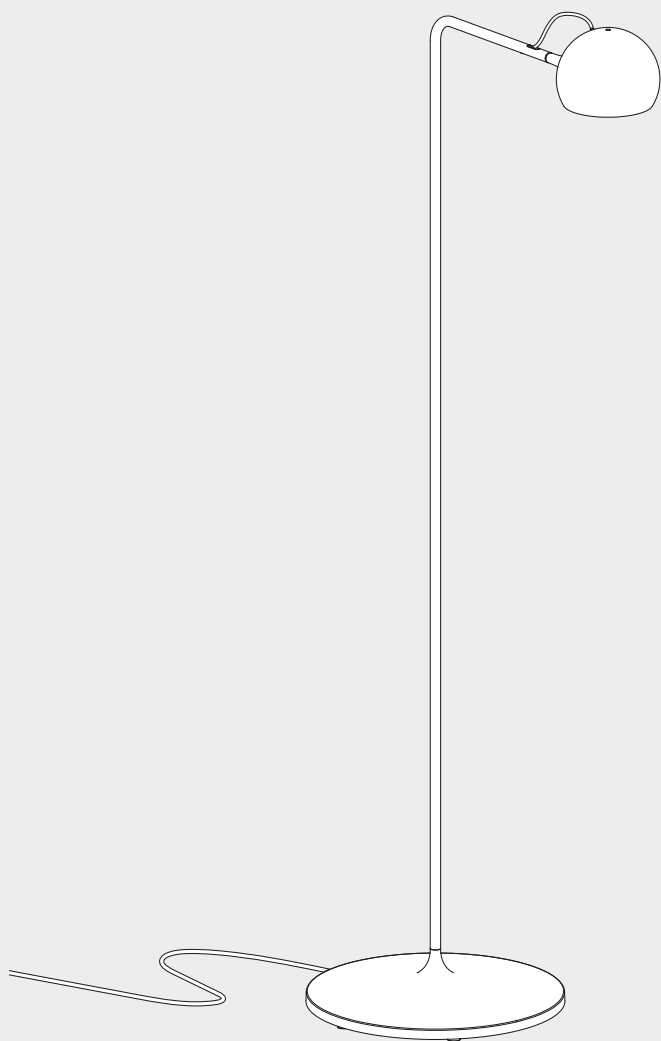


Artemide®

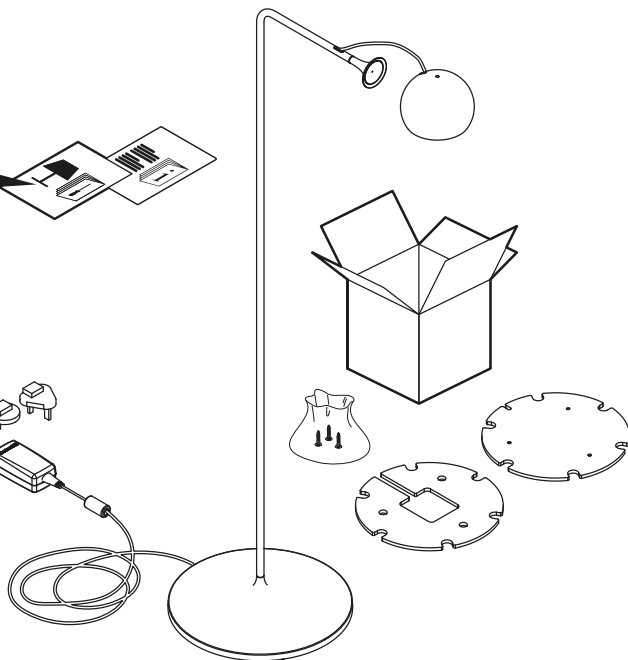
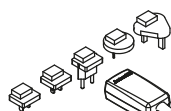
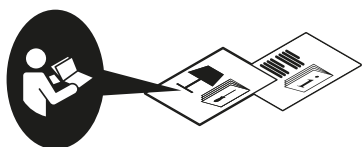
IXA READING

design
Foster & Partners

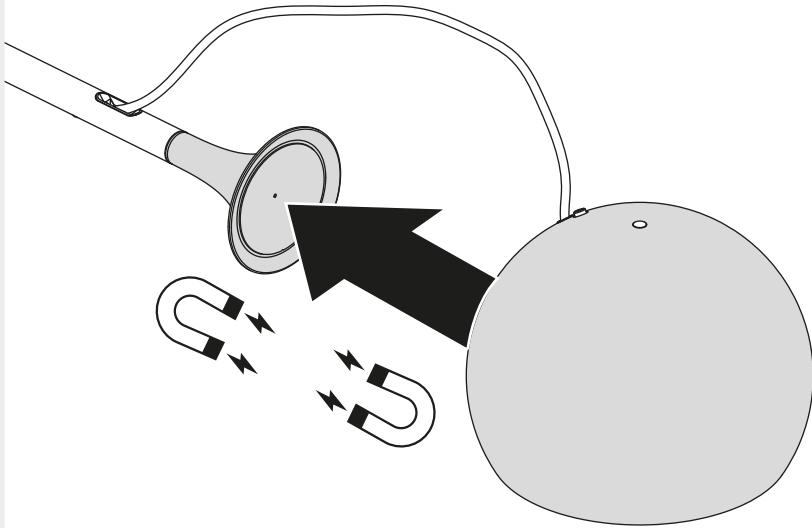




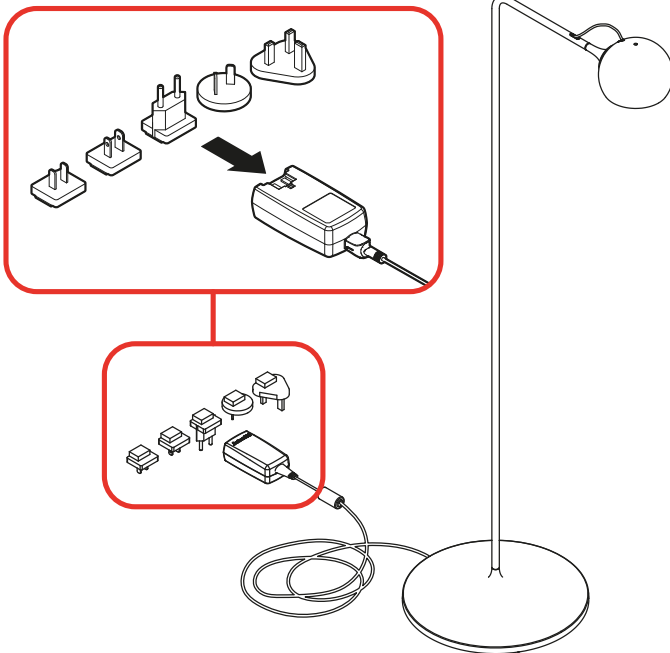
i



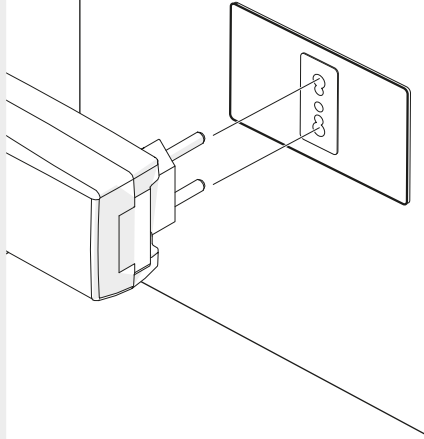
1



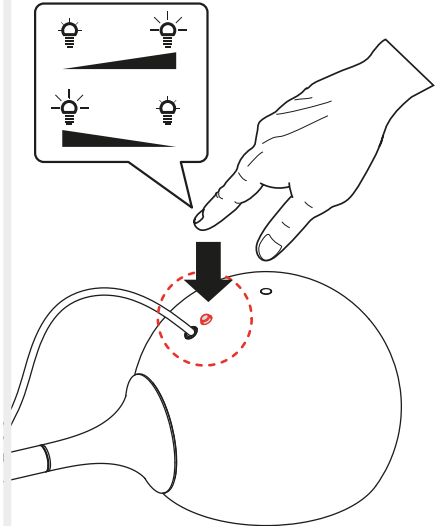
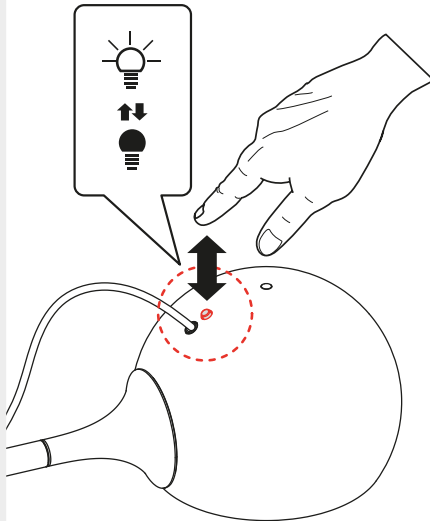
2



3

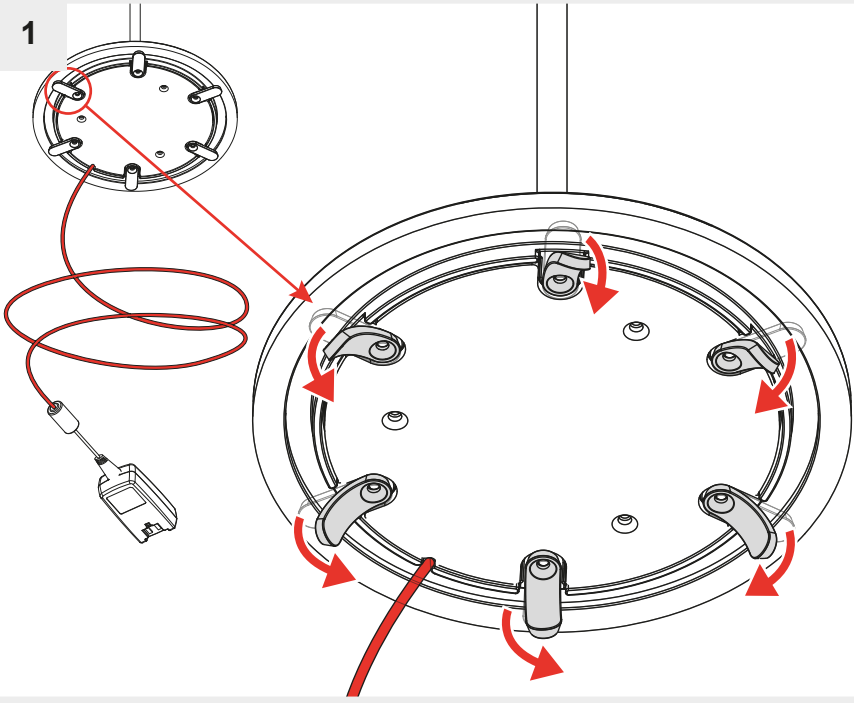


4

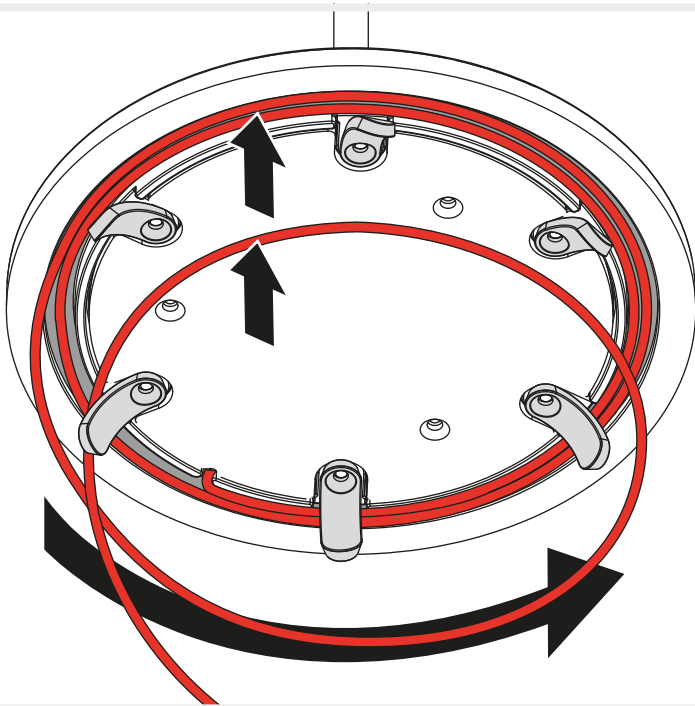




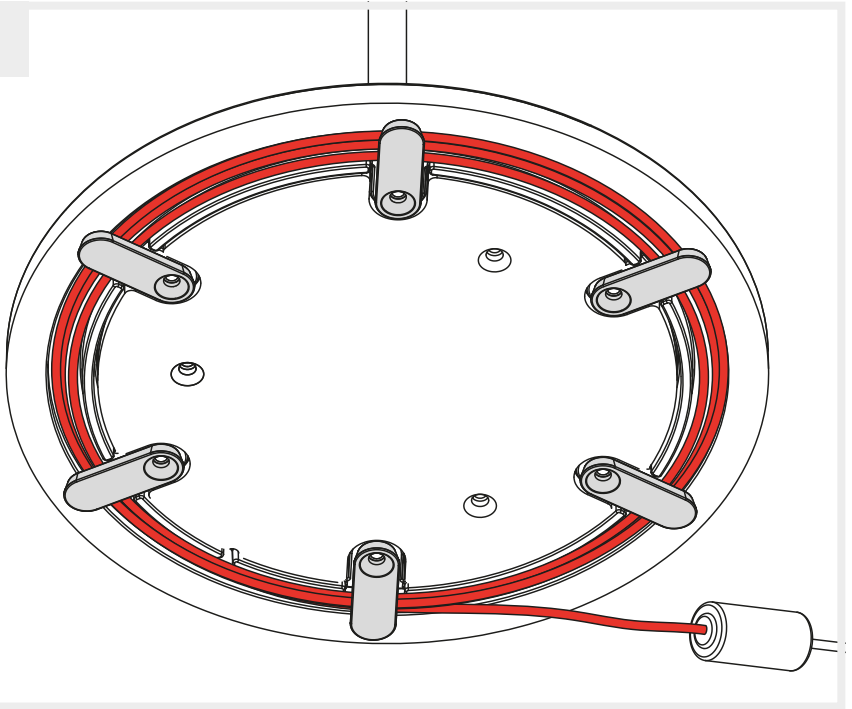
1



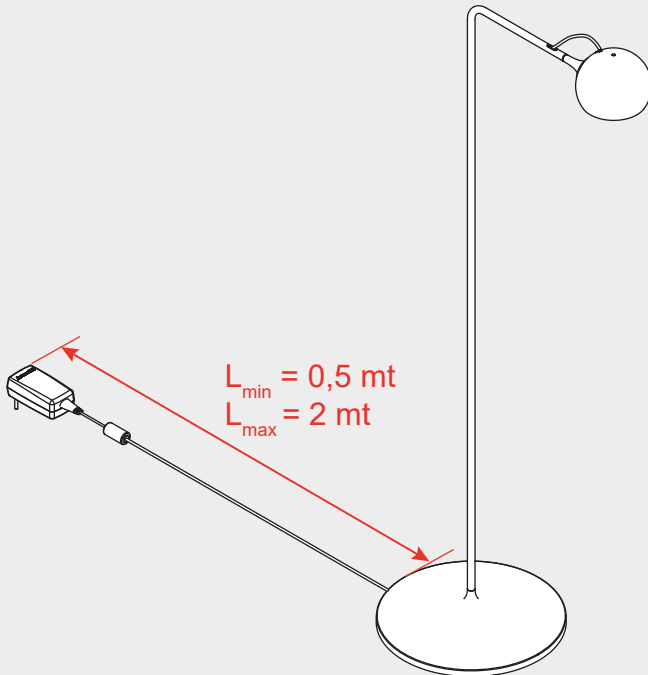
2



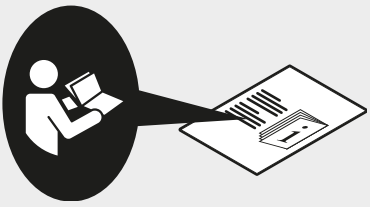
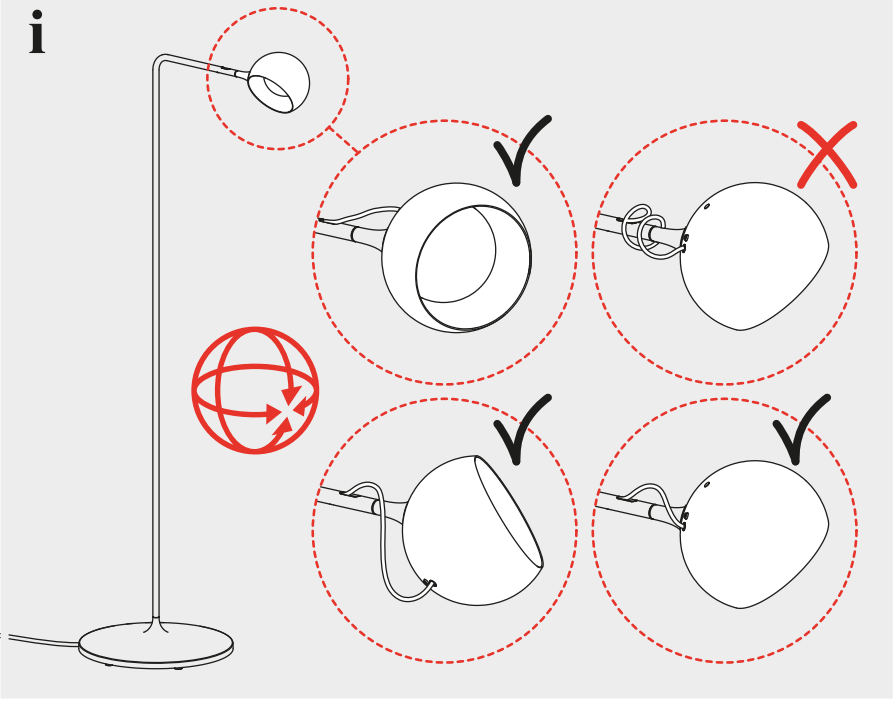
3



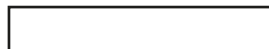
i



i



Artemide®



Artemide

via Bergamo, 18
20006 Pregnana M.se (MI)
ITALIA

tel. +39 02 935 181
fax +39 02 935 90 254
fax +39 02 935 90 496

www.artemide.com

VAT IT00846890150

cod. Y513001741