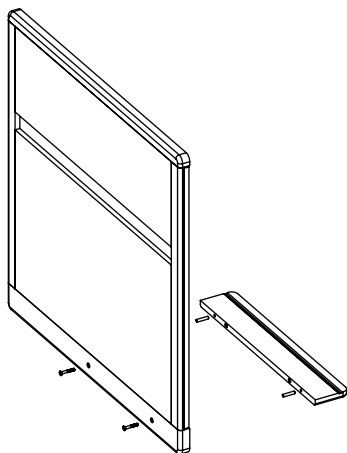


## RIM PINBOARD

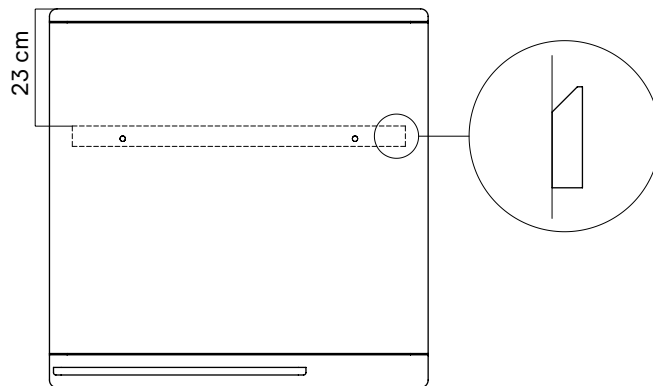
Assembly guide



### STEP 1 - SHELF

---

Put the dowels into the shelf. Fix shelf to the rest of product with screws from the back.



### STEP 2 - MOUNT TO THE WALL

---

Find the desired position for the product on the wall. Measure the distance down to the mounting board. Make sure the mounting board is horizontally levelled. Mount to wall.