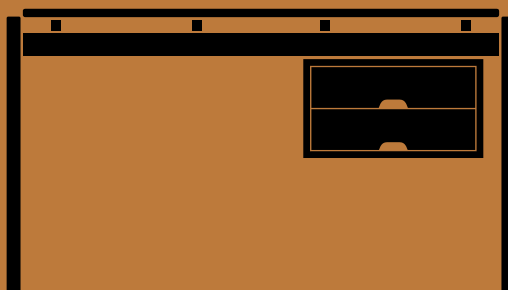


Daystak Desk ^{RD3}

Robin Day

1951



Daystak Desk ^{RD3}

Robin Day

1951

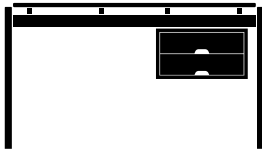


Table: H: 71cm / 28in
Drawers: H: 25.2cm / 10in

Table: W: 122cm / 48in, D: 61cm / 23in
Drawers: W: 46cm / 18in, D: 45.5cm / 18in

Product description

Desk

Environment

Indoor

Material

Solid beech, beech veneer, Fenix Nano laminate.
This product has not been treated with any biocides.

Production process

The solid beech frame is cut using a CNC machine. The frame is assembled using both glue and bolts with threaded inserts. The table top for both finishes is laminated and glued to an MDF core. It is then trimmed to size and solid wooden edging is glued around the border. The drawers are made from beech veneer and solid beech cut using a CNC machine, and glued together with traditional woodworking joinery.

Variants

Beech, Beech with tabletop in Fenix Verde
Comodoro 0750

Strength, durability and safety testing

The desk is tested for strength, durability and safety according to: EN 15372 Level 2 (Tables), ANSI/ BIFMA X5.5 Desk Products

Dimensions

Table: H: 71cm / 28in, W: 122cm / 48in,
D: 61cm / 23in
Drawers: H: 25.2cm / 10in, W: 46cm / 18in,
D: 45.5cm / 18in

Packaging dimensions

Desk: H: 13.5cm / 5in, W: 86cm / 34in,
D: 134cm / 53in
Drawers: H: 31cm / 12in, W: 51cm / 20in,
D: 51cm / 20in

Weight

31.2 kg
Incl. packaging: Table: 23.8kg / Drawers: 15.14kg

Gliders

Plastic gliders

Colli quantity

2

Certifications



Beech: FSC® 100%

Beech w. tabletop in Fenix Nano laminate: FSC® Mix

Impact

1. Designed for disassembly, enabling easier repair, renovation and replacement of parts.
2. Uses FSC® certified wood, supporting responsible management of the world's forests.



→ Beech



→ Beech with tabletop
in Fenix Verde
Comodoro 0750

Manufacturer
Produced in Slovenia by Sanyei

Cleaning instructions
Please download our Material Care & Cleaning instructions through www.andtradition.com

→ **Stock items**
Beech and Beech with tabletop in Fenix Verde
Comodoro 0750

&Tradition®

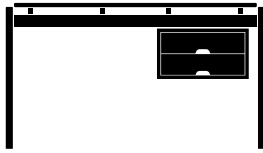


Table: H: 71cm / 28in
Drawers: H: 25.2cm / 10in

Table: W: 122cm / 48in, D: 61cm / 23in
Drawers: W: 46cm / 18in, D: 45.5cm / 18in

Recycling & Disassembly

Daystak Desk ^{RD3}

RECYLING

The Daystak Desk is built to last, and we hope that your Daystak Desk will serve you for many years. The desk is made from solid wood and wood veneer, and can be easily separated from its base. All metal and wooden parts can be separated and delivered to a suitable recycling station.

SPARE PARTS

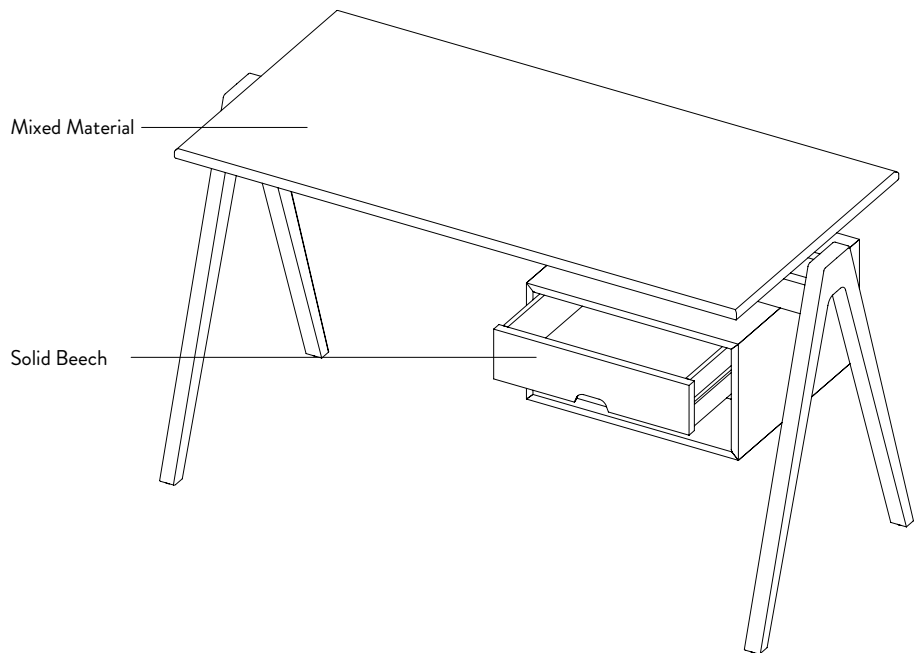
To purchase spare parts for your Daystak Desk, please write to our sales support team at info@andtradition.com with your query.

5 YEAR WARRANTY

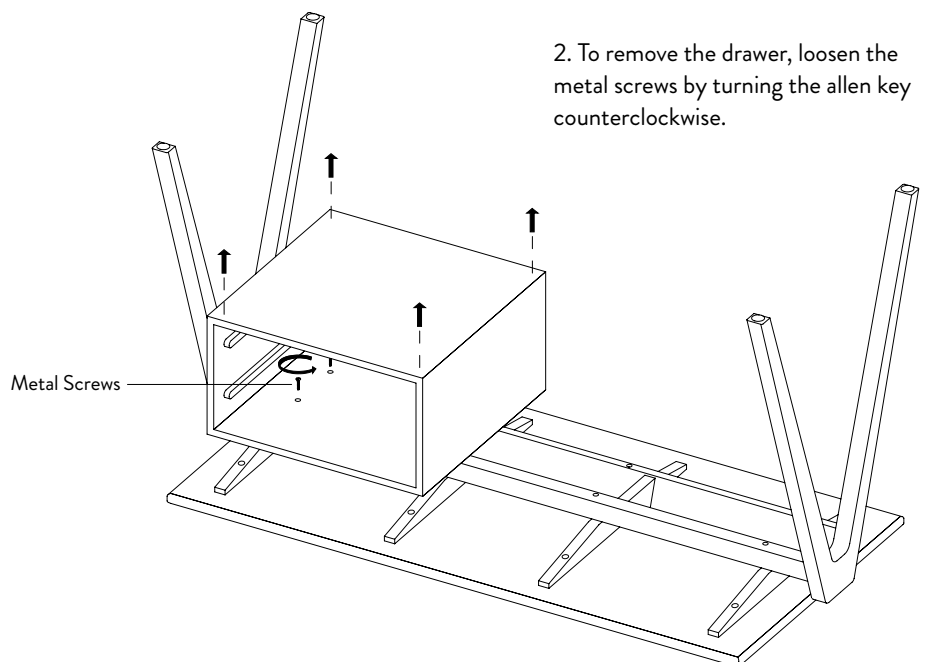
&Tradition provides a 5-year warranty with every Daystak Desk, which covers faults which were present at the time of purchase, or which have occurred as a result of a manufacturing defect. The warranty is valid from the date stated on the original invoice.

DISASSEMBLY

1. Remove the drawers to get access to the screws.



2. To remove the drawer, loosen the metal screws by turning the allen key counterclockwise.

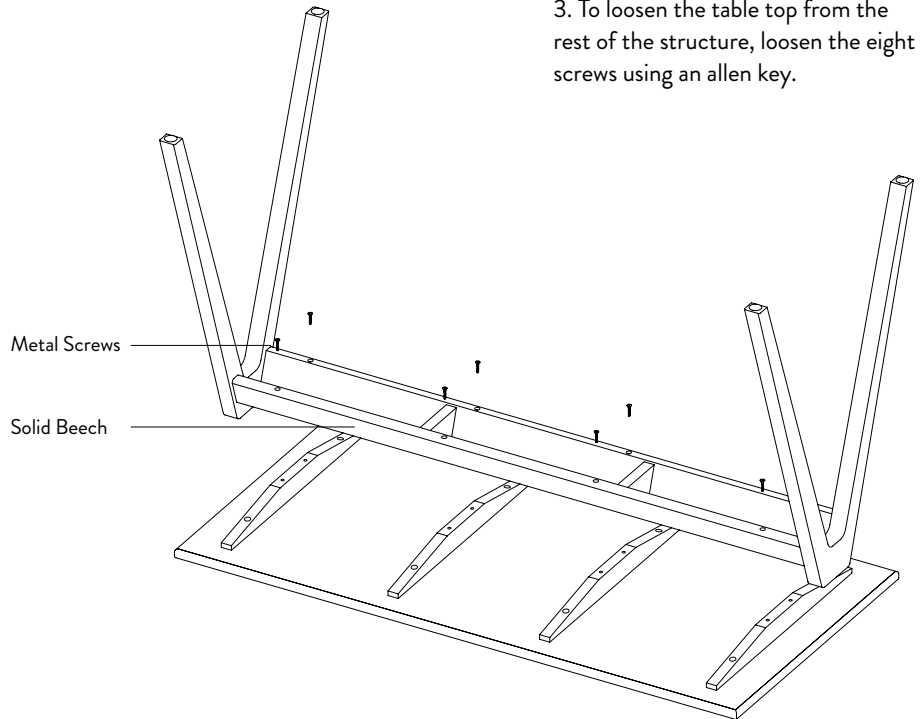


Recycling & Disassembly

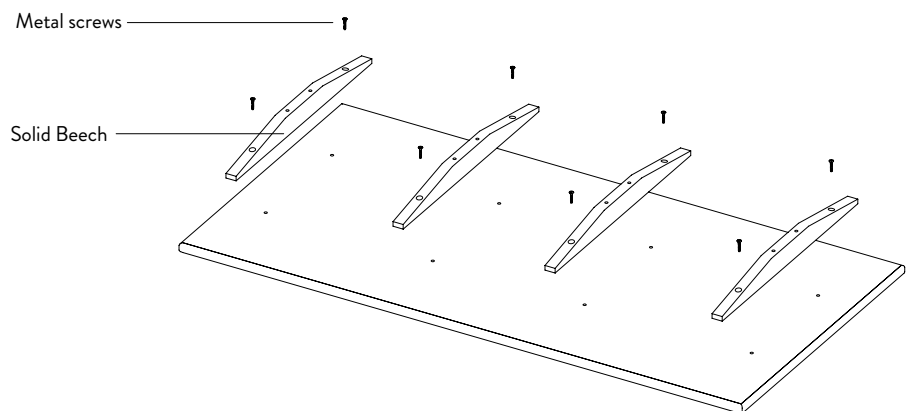
Daystak Desk ^{RD3}

DISASSEMBLY

3. To loosen the table top from the rest of the structure, loosen the eight screws using an allen key.



4. To loosen the small support rods from the table top, loosen the eight screws using an allen key.

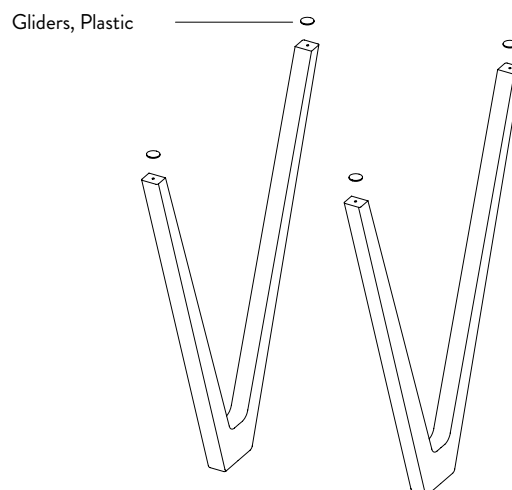
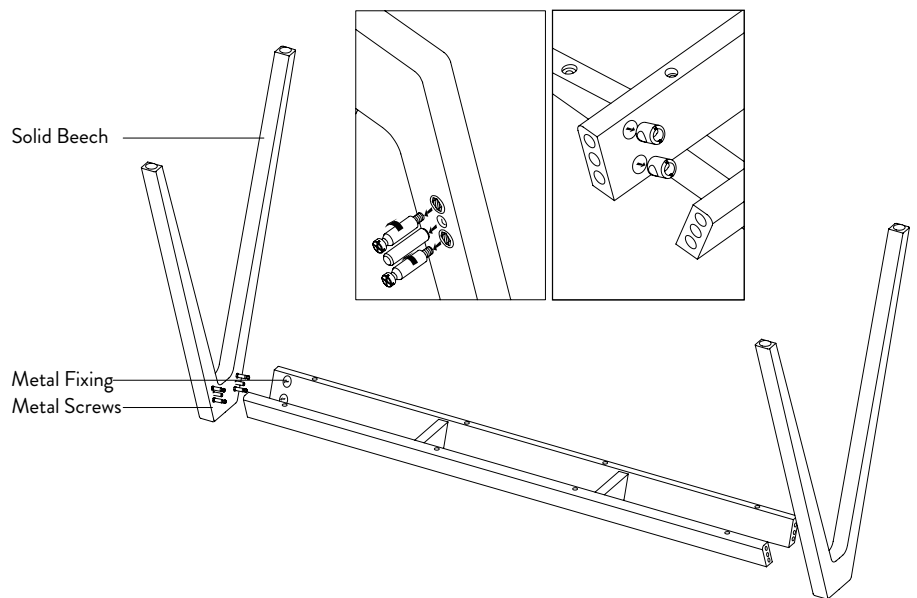


Recycling & Disassembly

Daystak Desk ^{RD3}

DISASSEMBLY

5. Unscrew metal pins using an allen key. Remove legs from main structure. Remove all metal pins and internal fixings from the legs and support rails using a screwdriver.



6. Remove the gliders with a flatheaded screwdriver.