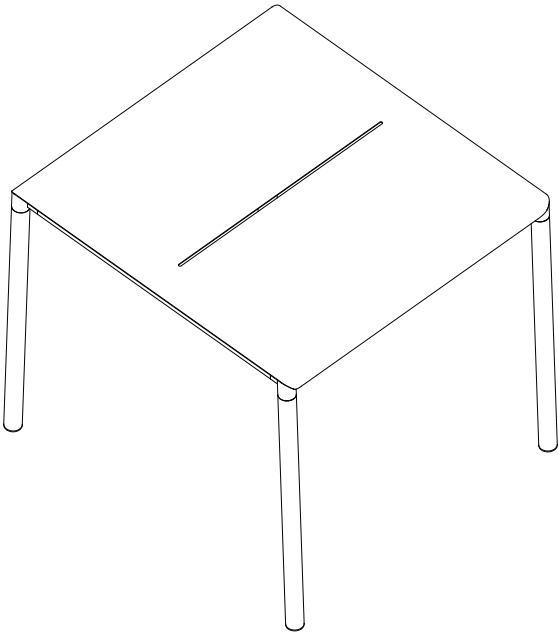


Assembly & Care Guide

May Table

Hannes & Fritz



Thank you for choosing the May Table designed by Hannes & Fritz. We hope you will enjoy it as much as we enjoyed making it. Please follow this guide to ensure correct installation, assembly, and care of your New Works product.

Attention

Please read these instructions carefully and retain them for future reference to ensure that the product is used correctly. For your safety, please study each step of this guide first.

New Works will not take any responsibility for accidents or injuries that occur due to misuse or unintended use of the product. This includes use of the product in unintended environments.

If you have any questions, please do not hesitate to contact us via email: info@newworks.dk

Safety Precautions

May Tables surfaces are powdercoated and should therefore be handled with care during assembly and in use.

Dropping the tabletop or legs might cause injury to yourself or others, as well as damage to floors and objects.

- Do NOT stand on the table.

Cleaning Instructions

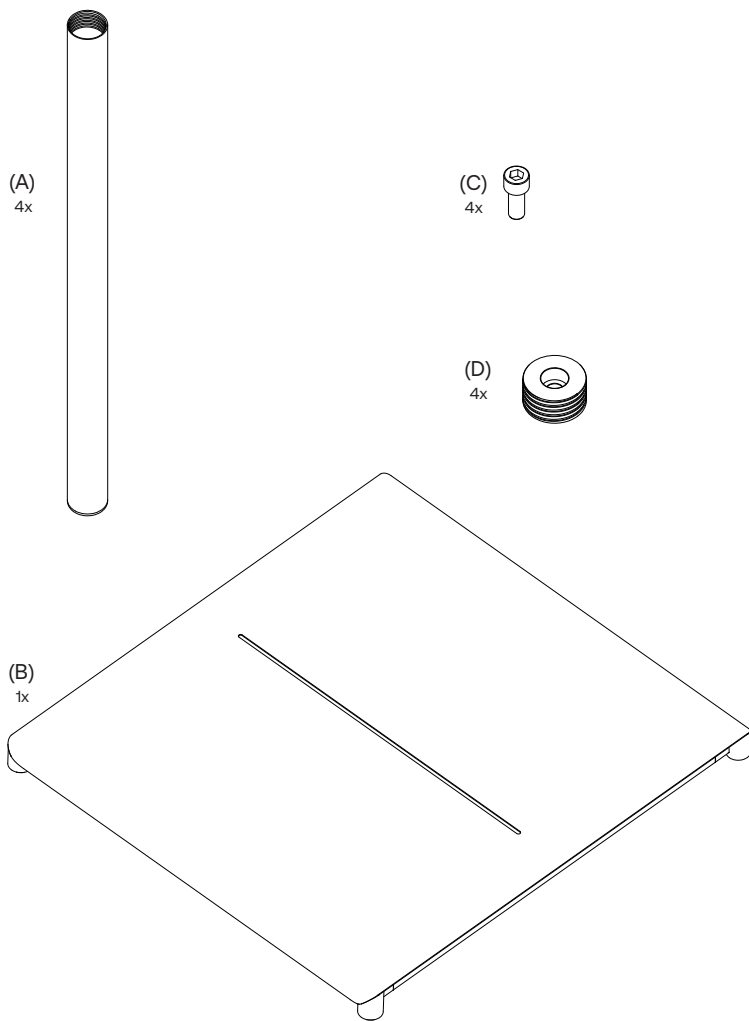
Wipe the product with a soft dry or moist cloth. Do not use any abrasive cleaning tools and never use strong cleaning agents such as household glass cleaner, white spirit, or turpentine.

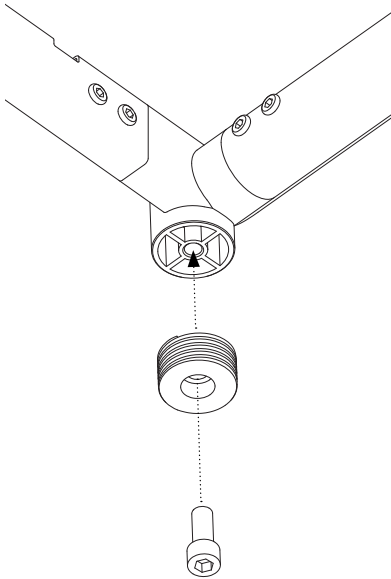
Inside the Box

- 4 x Leg assemblies (A)
- 1 x Tabletop (B)
- 4 x Socket screws (C)
- 4 x Mount (D)

Tools Needed

- Drilling machine/ or screwdriver with unbraco/allenkey bit





1.

Assembly corner mount

Place a mount on the corner, and align the hole. Make sure the mount is facing the right way up, in order for the socket screw to be mounted correctly.

Repeat for each corner.

ATTENTION

Do not overtighten each screw, as it may warp the tabletop. Fasten with no more than 15 Nm (torque).

2.

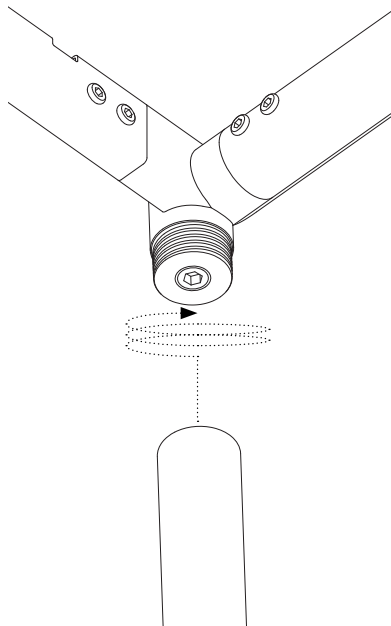
Assembly of leg

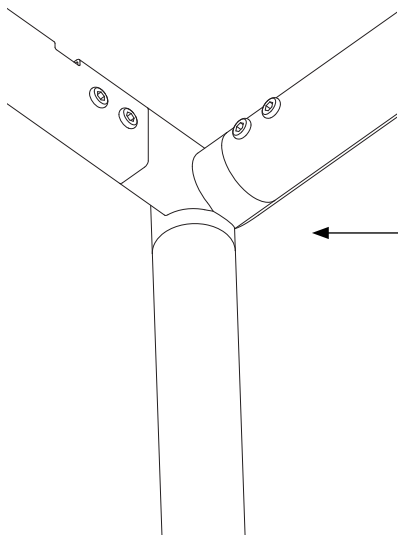
Place the leg over the mount and rotate the leg until the threading meets. Fasten the leg at much as possible by hand.

Repeat for each leg.

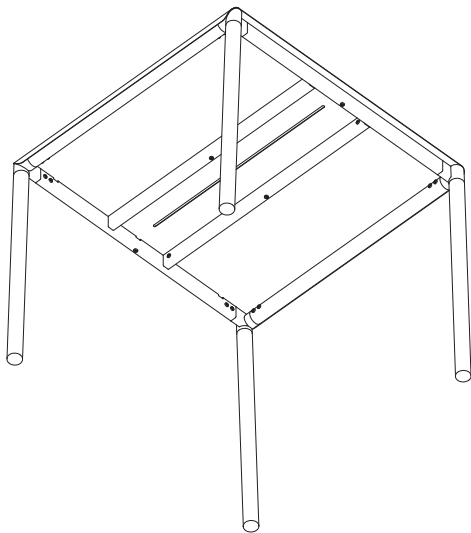
ATTENTION

Do not overtighten each leg.





The assembled legs should look like this.



3.

Assembled May Table

Your table is now ready for use.

NEW WORKS.

info@newworks.dk +45 72 30 99 99

Frederiksgade 1, Ground Floor, 1265 Copenhagen, Denmark

www.newworks.dk @newworksdk