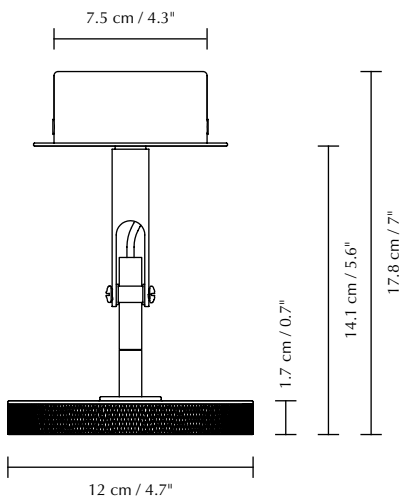


ASTERIA SPOT

Designed by Søren Ravn Christensen



Recessed or surface mounted spot



DIMENSIONS

Ø: 12 cm / 4.7"

H: 14.1 cm (17.8 cm) / 5.6" (7")



MARKINGS, TESTS & CERTIFICATIONS

CE, UKCA (for indoor use), IP2X



MATERIAL

Steel and aluminium



WARRANTY

10 years warranty against manufacturer defects



WEIGHT

590 g / 1.3 lb



WEIGHT INCL. PACKAGING

1.2 kg / 2.6 lb



LIGHT SOURCE

6W COB LED spot built-in. 3000 K - 500 lumen. CRI 91 30000 H

Dimmable with external dimmer*



PACKAGING DIMENSIONS (L x W x H)

15.8 x 28.1 x 14.6 cm / 6.2 x 11.1 x 5.7"



ASSEMBLY TIME

20 min



MEDIA KIT

Photos and press material

Download at umage.presscloud.com



ORDERING INFORMATION

Asteria Spot plated brass

#2496

Asteria Spot polished steel

#2497



Colour variations

* For recommended external dimmers, go to umage.presscloud.com



plated brass



brushed steel


UMAGE

ASTERIA SPOT

Designed by Søren Ravn Christensen



Asteria Spot, plated brass

Elevate your living space with the newest addition to the Asteria collection – Asteria Spot. A versatile spot lamp that can be mounted on your ceilings or used as a wall lamp.

At the heart of the Asteria Spot lies its ability to transform the atmosphere. Asteria Spot comes with three different light filters, allowing you to adjust the temperature and mood of the light. This makes Asteria Spot a lamp that you can use in all rooms – from a hallway with warm, welcoming light to a kitchen where crisp, practical light is preferred. The shade of the lamp is flexible, allowing you to adjust the angle of the light and ensure illumination right where you want it. Asteria Spot can be installed recessed or mounted directly on the surface of a ceiling or a wall.

Made from aluminium in polished steel or plated brass, the Asteria Spot features a sleek and stylish expression that will adorn any home.

Enhance your living space with the Asteria Spot and experience the transformative power of its elegant design and customisable lighting options.

Find more info on our website umage.com

