

Beetle Sofa - Fully Upholstered - 2 Seater, Conic Base

Designed by GamFratesi - 2013



ITEM NUMBER

10304

DESCRIPTION

Taking its inspiration from the Beetle Lounge Chair, the elongated Beetle Sofa has a rounded, protective outer shell combined with a soft inside – just like a beetle. The 2-seater Beetle Sofa plays with the contrast between the enveloping outer shell and a soft, inviting interior which encourage to be seated. The characteristic look is enhanced by the delicate, slightly conical legs, giving its light expression.

Materials & Finishes

BASE FINISH

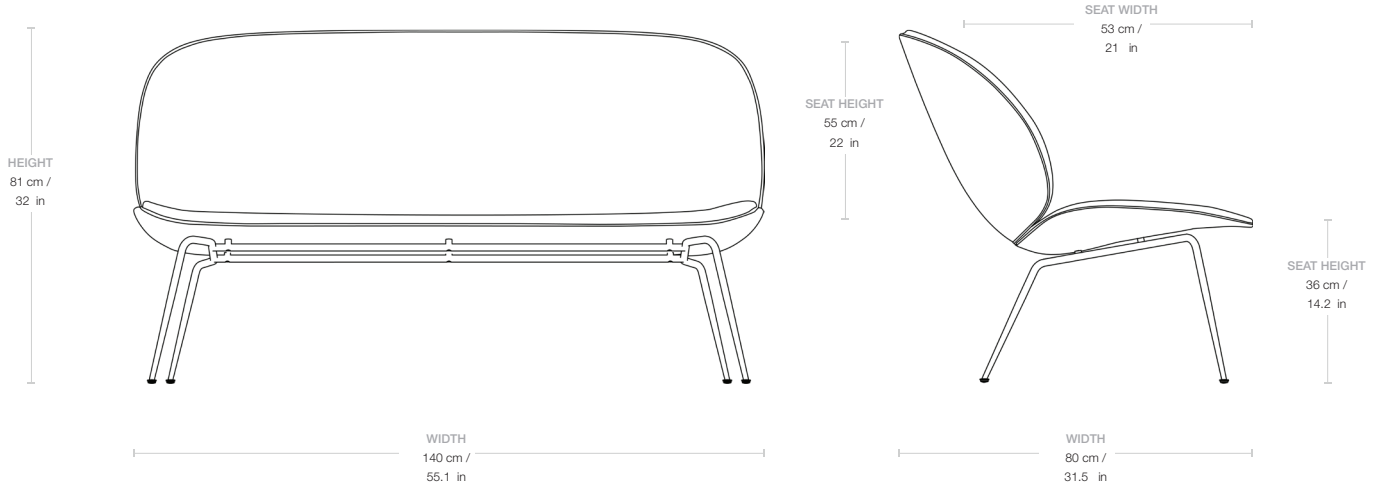
Brass, Black Matt, Black Chrome



MATERIALS

Steel, CMHR foam, polyester wadding, fabric upholstery

Dimensions



WIDTH	140 cm / 55.1 in
DEPTH	80 cm / 31.5 in
HEIGHT	81 cm / 32 in
SEAT WIDTH	140 cm / 55.1 in
SEAT DEPTH	53 cm / 21 in
SEAT HEIGHT	36 cm / 14.2 in
BACKREST HEIGHT	55 cm / 22 in

Weight

TOTAL WEIGHT	50 kg / 110 lbs
---------------------	-----------------

Upholstery Consumption

X 140 CM FABRIC WIDTH / X 55 IN FABRIC WIDTH

FULLY UPHOLSTERED, SAME PIPING	461 cm / 181.5 in
FULLY UPHOLSTERED, DIFFERENT PIPING	426 cm / 168 in
PIPING	35 cm / 13.8 in
LEATHER	
FULLY UPHOLSTERED, SAME PIPING	9.77 m ² / 105.2 ft ²

FULLY UPHOLSTERED, DIFFERENT PIPING

9.46 m² / 101.8 ft²

PIPING

0.31 m² / 3.3 ft²

Packaging

NUMBER OF PARCELS	1
PACKAGING LENGTH	80 cm / 31.5 in
PACKAGING WIDTH	160 cm / 62.3 in
PACKAGING HEIGHT	85 cm / 33 in
PACKAGING WEIGHT	5.2 kg / 11.5 lbs
GROSS WEIGHT	55.2 kg / 121.7 lbs

Test & Certifications

CALIFORNIA 117	Yes, US only
BS 5853	Available on request
BS 5852 CRIB 5	Available on request
EN 1022:2005	Yes
EN 16139:2013L1	Yes

SUSTAINABILITY Parts can be separated and sorted for recycling

Glides

PLASTIC GLIDES Included as standard

FELT GLIDES Available on request
