

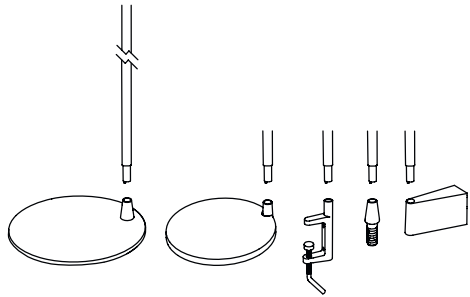
w242 Pastille alu Instructions

Page 1 / 2

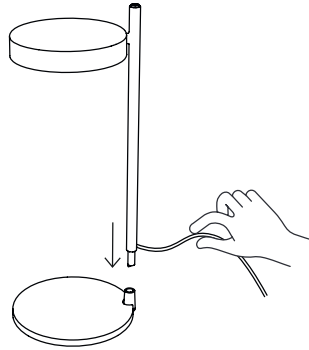
Wästberg
Box 5085
200 71 Malmö
Sweden
wastberg.com



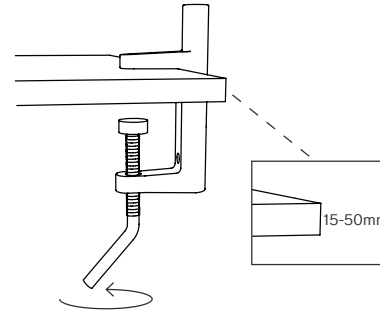
1.



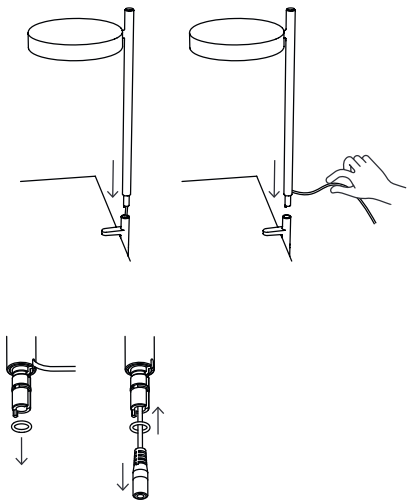
2.



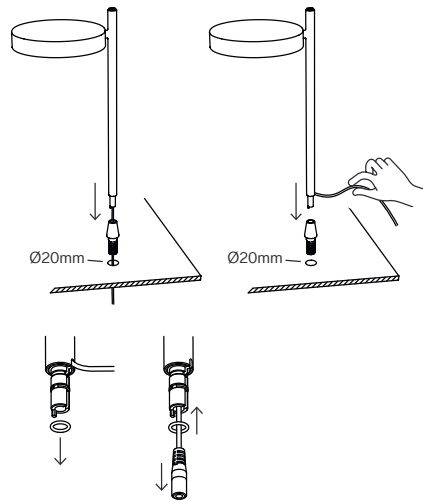
3.



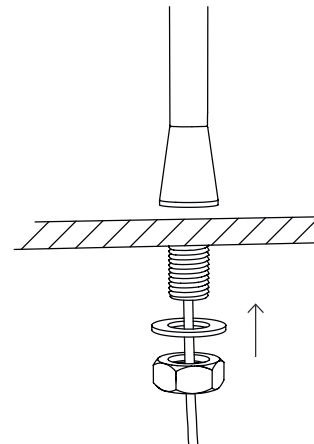
4.



5.



6.



Mounting instructions

1.

There are five different mounting accessories to attach the lamp to.

2. Floor / Table

Attach the lamp to the base.

3. Clamp

Secure the clamp by turning the screw.

4.

Attach the lamp to the clamp.

Pull the cord through the clamp or the hole in the pole.

For the pull through variant remove the rubber ring, put the cable through it and place the rubber ring again.

5. Pin

Pull the cord through the pin or the hole in the pole.

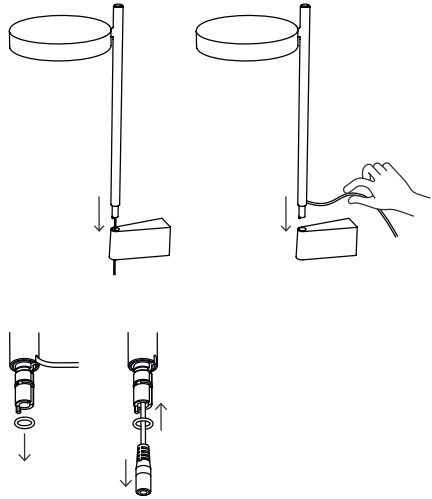
For the pull through variant remove the rubber ring, put the cable through it and place the rubber ring again.

Place the pin in the hole, $\varnothing 20$ mm hole size.

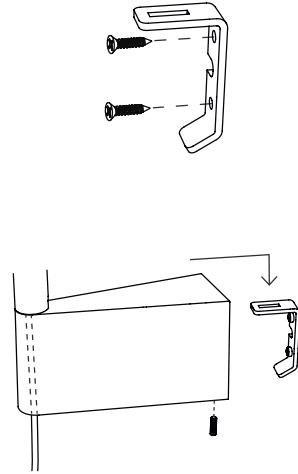
6.

Secure with the washer & nut under the table.

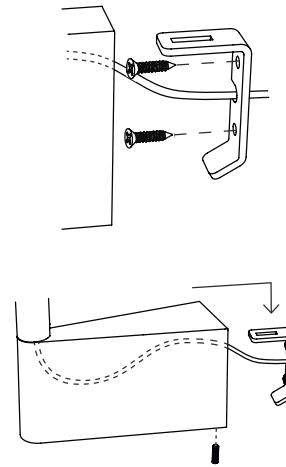
7.



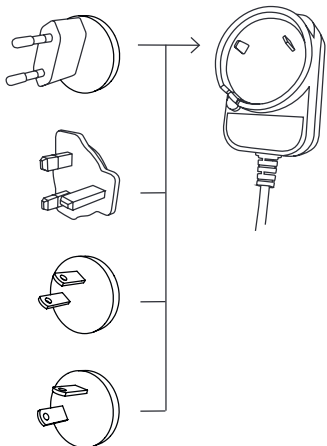
8a.



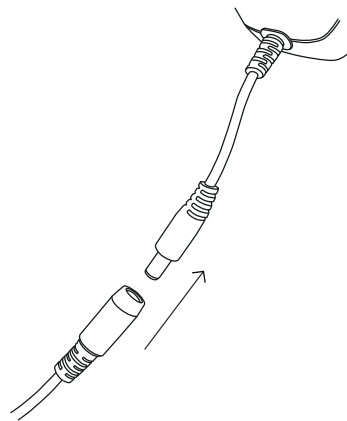
8b.



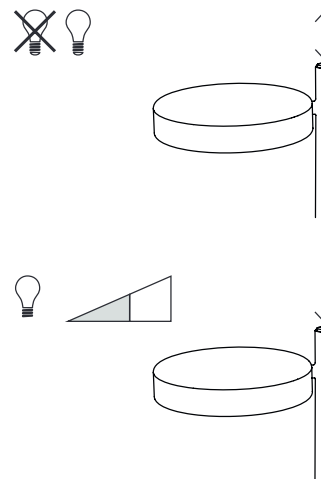
10.



11.



12.



Mounting instructions

7. Wall bracket

Attach the lamp to the wall bracket.
Pull the cord through the bracket or the hole in the pole.

For the pull through variant remove the rubber ring, put the cable through it and place the rubber ring again.

8a.

Mount the bracket to the wall. (Screws are not included).

8b.

For connection behind the wall, pull the cord through the bracket.

19.

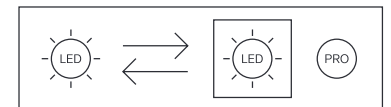
Attach the plug to the adapter.

10.

Connect the power cord to the adapter.

11.

Press the button to turn the light on and off.
Press and hold to dim the light.



This product contains a light source of energy efficiency class G.
To replace the light source, contact customer service at service@wastberg.com