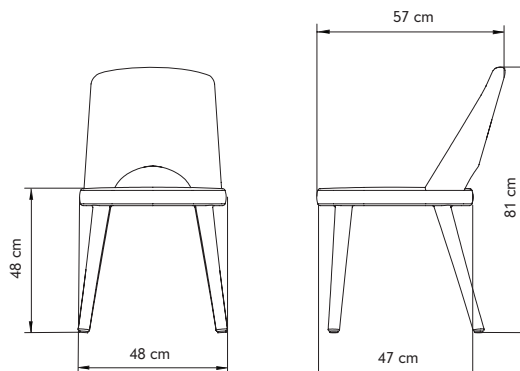




## Chair Holy

## Fact Sheet

The Holy Chair is simple in design and robust in structure. The sturdy metal frame of the Holy Chair is cleverly hidden inside a well-padded fabric body. It's a durable and comfortable piece of furniture made to stand the test of time. The chair is distinguished by its balanced proportions and backrest hole - it's suitable for a wide variety of residential and commercial environments. Qualified for contract use.



<b>Design by</b>	POLSPOTTEN studio 2016
<b>About the designer</b>	This item is designed in our very own POLSPOTTEN studio
<b>Category</b>	Furniture - Chairs
<b>Environment</b>	Indoor
<b>Preassembled</b>	Yes
<b>Material &amp; Finish</b>	<p><b>Frame:</b> The frame of the chair is made of powder-coated metal.</p> <p><b>Cushioning:</b> The cushioning is made of fire retardant high resiliency CMHR foam, foam density 30 kgs/m<sup>3</sup></p> <p><b>Legs:</b> The legs are made of powdercoated metal covered with upholstery</p>
<b>Gliders</b>	Plastic gliders are mounted
<b>Upholstery</b>	<p>The Chair Holy is standard available in the following upholstery:</p> <p><b>Soho:</b> 100% polyester / 90.000 martindale / color fastness level 5w</p> <p><b>Berry:</b> 100% olefin / 45.000 martindale / colorfastness level 6</p>
<b>Cleaning &amp; Care</b>	Care and maintenance instructions can be downloaded on the product page of this item at: <a href="http://webshop.polspotten.com">webshop.polspotten.com</a> or contact your account manager for more specific cleaning & care information.
<b>Packaging</b>	Packed in one brown carton box 5-ply Size: 61 x 46 x 84 cm Weight: 9 kg
<b>Downloads</b>	3D files, mood images and packshots are available at the product page of the item at <a href="http://polspotten.nl">polspotten.nl</a>

### Made-to-order

Non-standard fabrics or colours are made-to-order against a minimum order quantity of 50 pieces. Upholstery supplied by the customer must always be tested by us in advance to see if it can be applied to our furniture. Please contact your account manager for a specific custom made request.

### Textile use for customized upholstery

1,9 meters with a fabric width of 1.4 meters

### Test & Certifications

Soho fabric: CAT B 117-2013

Berry fabric: CAT B 117-2013

Foam: Fire retardant BS5952 Source 0+1 cigarette & match proof

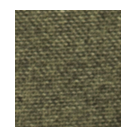
### Special options

The special options below are available upon request against a minimum order quantity. Please contact your account manager for a specific custom made request.

Matt black powder-coated metal legs without upholstery.

### Soho Upholstery

557-020-009	557-020-010	557-020-019
Ecru	Dark Grey	Forest Green



### Berry Fabric

588-020-024	588-020-025	588-020-026
Orange	Light Pink	Green Grey

