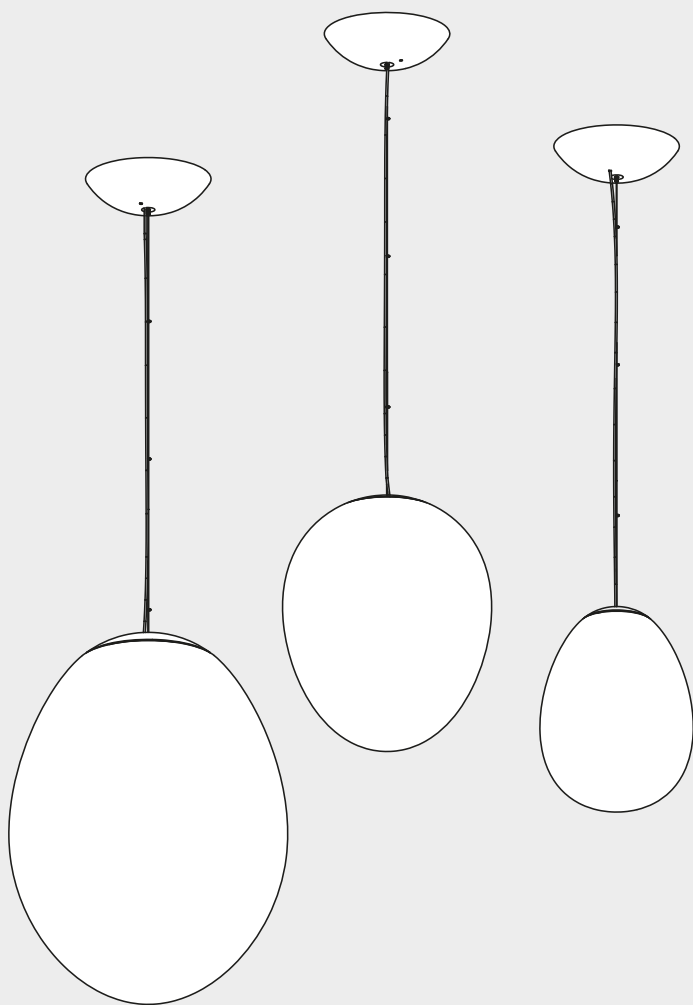


Artemide®

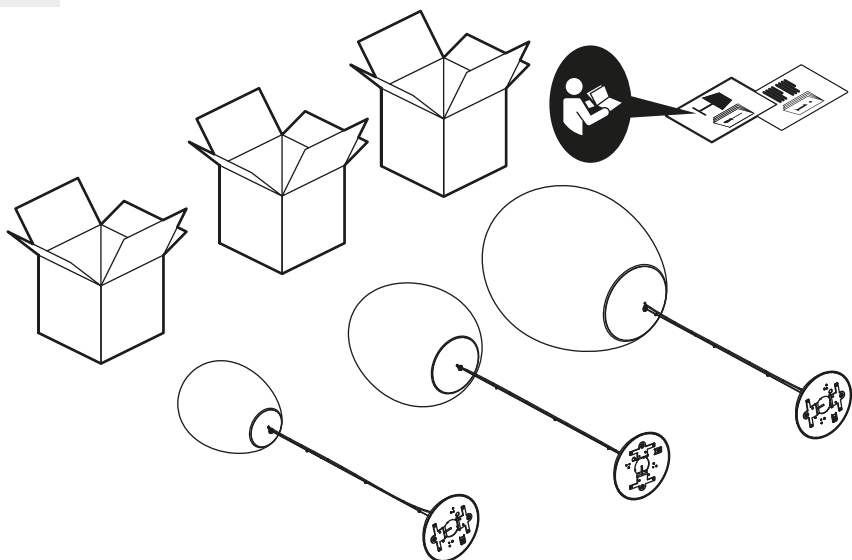
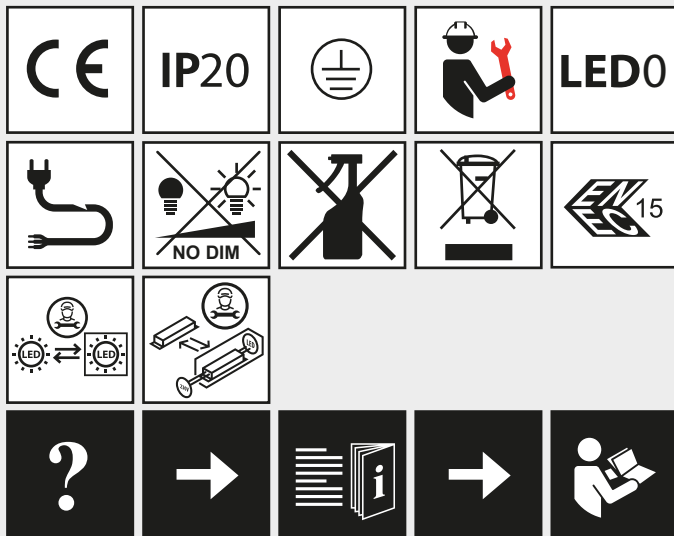
STELLAR NEBULA

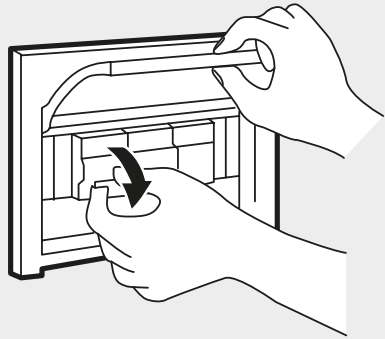
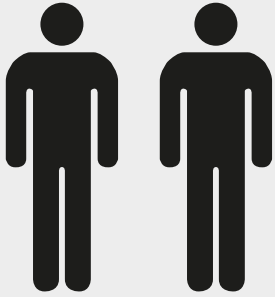
design
BIG



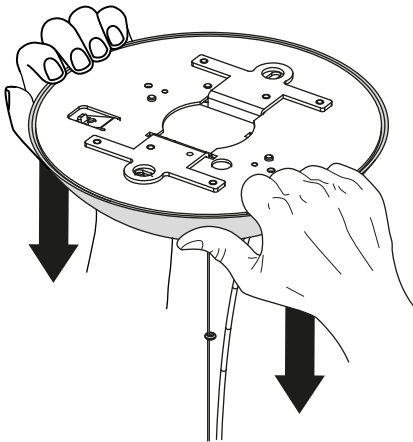


i

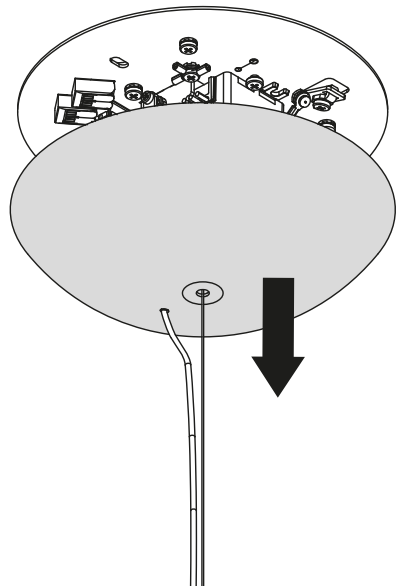




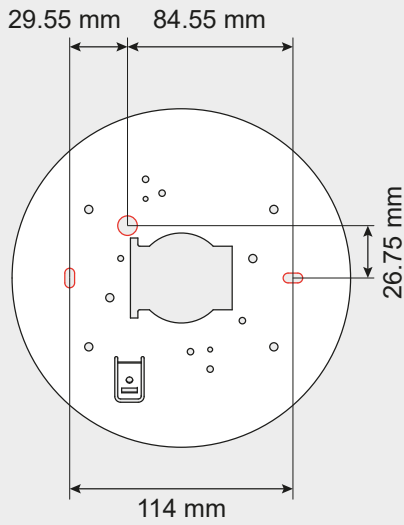
1



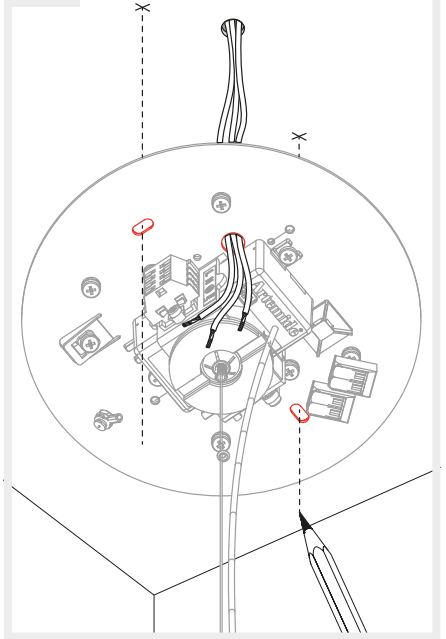
2



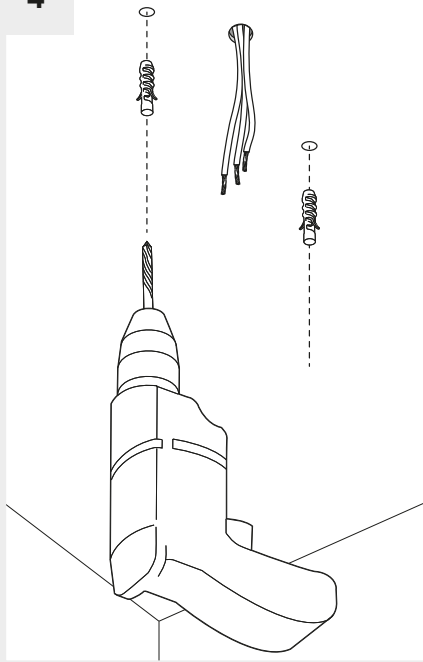
i



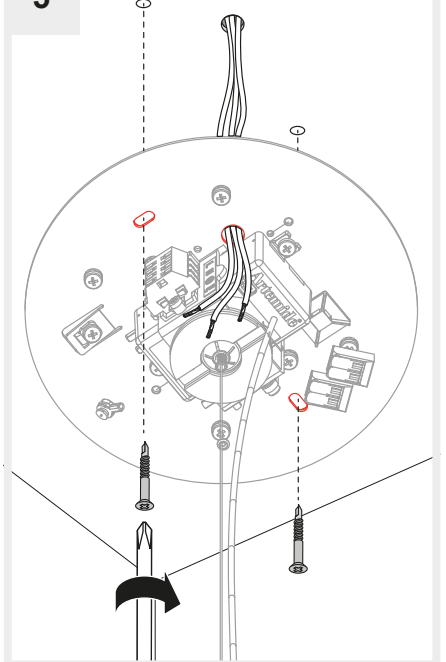
3



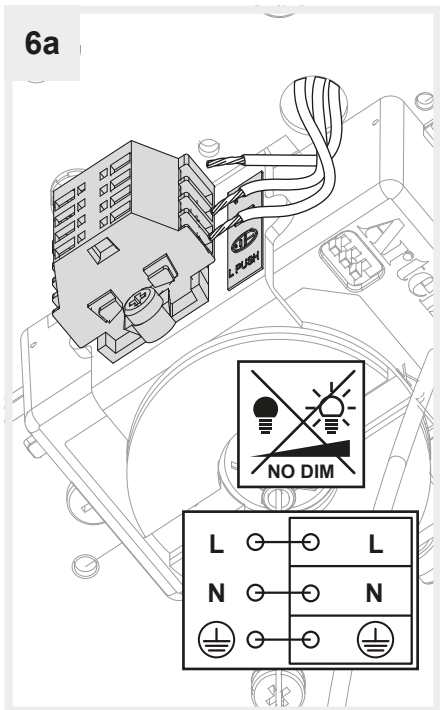
4



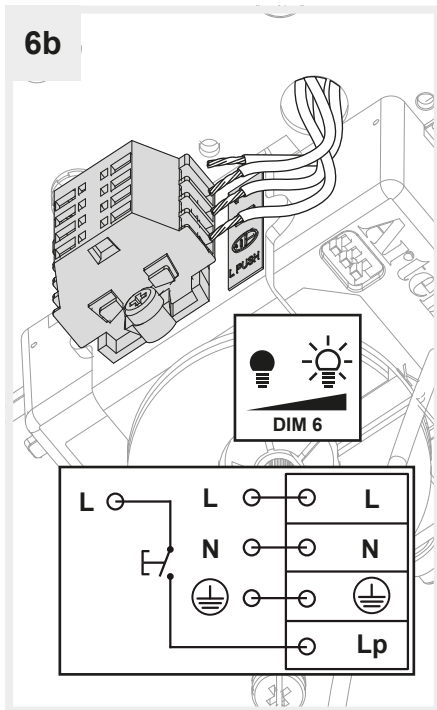
5



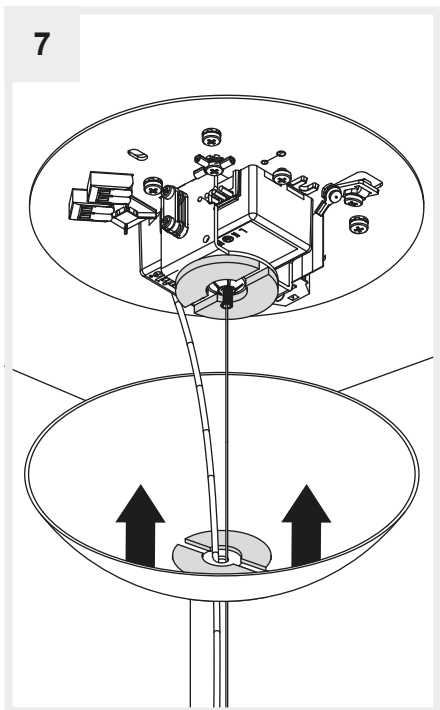
6a



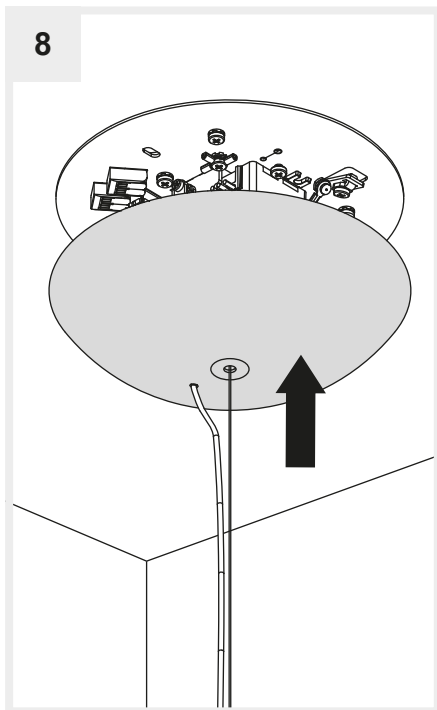
6b

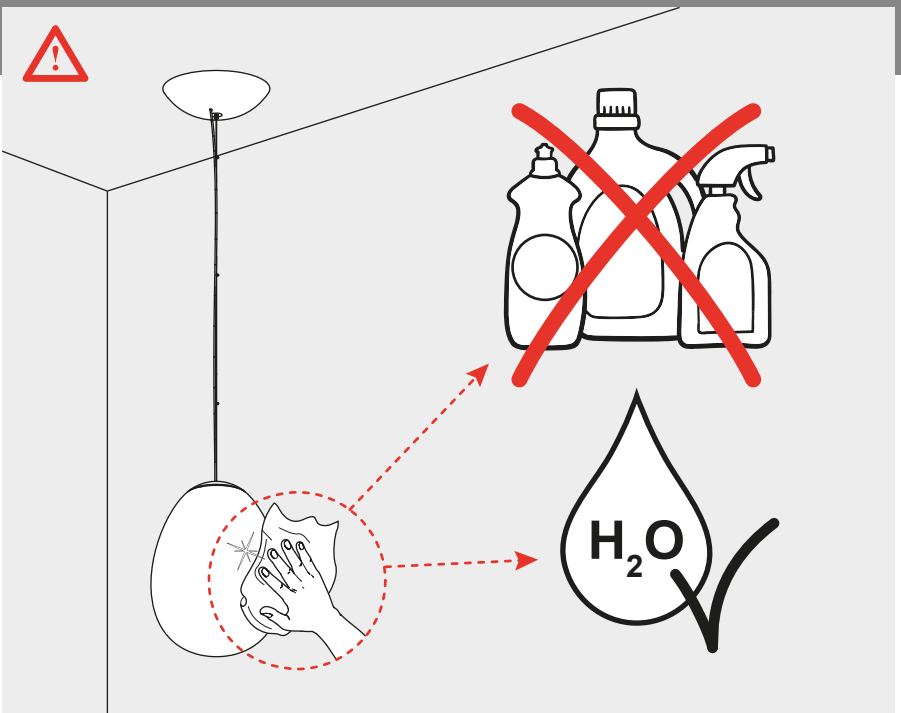
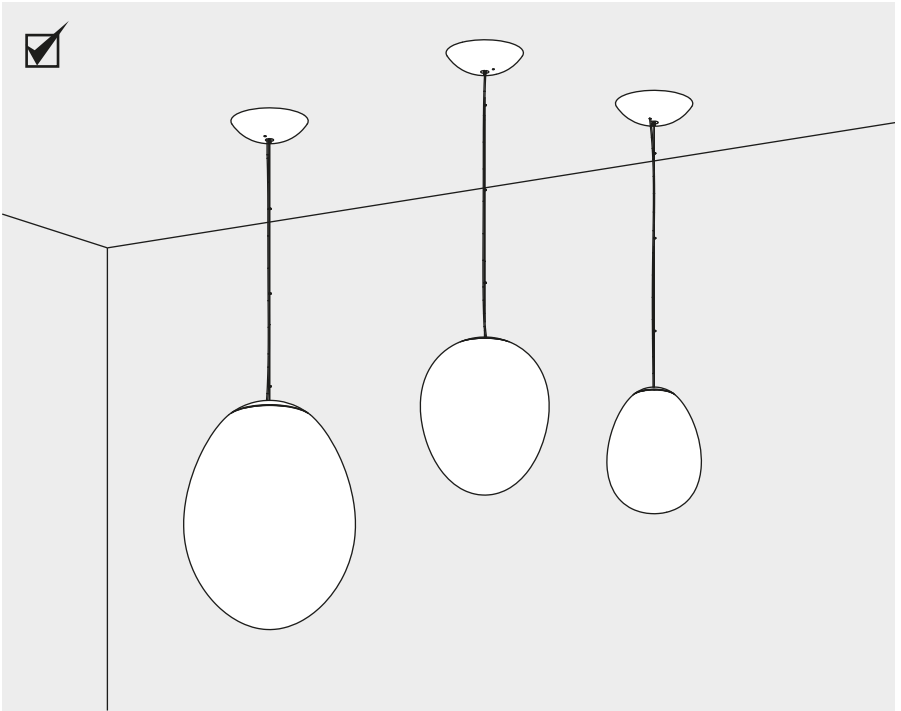


7



8





Artemide®



Artemide

via Bergamo, 18
20006 Pregnana M.se (MI)
ITALIA

tel. +39 02 935 181
fax +39 02 935 90 254
fax +39 02 935 90 496

www.artemide.com

VAT IT00846890150

cod. Y513001633C