

La Petite Wall - White



Dimmbar: + -

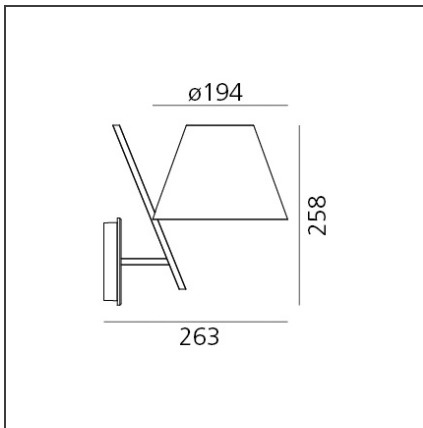
DESIGN

Quaglio Simonelli

BESCHREIBUNG

An archetypal lampshade balanced on a tilted stem. Simple elements, exquisitely combined into an amazing geometric composition, recall basic forms matched with different materials for technological reasons. Despite its plain and simple look, this lamp clearly conveys the skills of Artemide. The lampshade is a lightweight plastic volume closed by two diffusers that produce a pleasant soft direct and indirect light. The joint connects the lampshade with the aluminium stem on a minimal support. These simple elements are combined into a plain and elegant object, where the tilted stem is counterbalanced by the lampshade's volume. "La Petite walks on a wire, balancing between full and empty. There is no symmetry in its design, but there is order. A subtle harmony of elements disassembled, in equilibrium at the boundary between light and dark." Quaglio Simonelli

TECHNISCHE ZEICHNUNGEN



FUNKTIONEN

Artikelnummer:	1752020A	Material:	Polycarbonate, aluminium, methacrylate
Farbe:	Weiß	Serie:	Design
Installation:	Wandleuchte	Lichtverteilung:	diffused
Anwendungsbereich:	Innenbeleuchtung		

DIMENSION

Breite:	cm 26.3
Höhe:	cm 25.8

LICHTQUELLEN NICHT ENTHALTEN

Kategorie:	LED	Farbtemperatur(K):	2700K
Anzahl:	1	CRI:	80
Watt:	6W	Service Life:	L70(6K) > 25000h
Typ:	2		
Socket:	E14		
Class:	A		

LUMINAIRE

Watt:	6W	Lichtstrom (lm):	326lm
		CCT:	2700K
		Efficiency:	65%
		Efficacy:	54.30lm/W
		CRI:	80