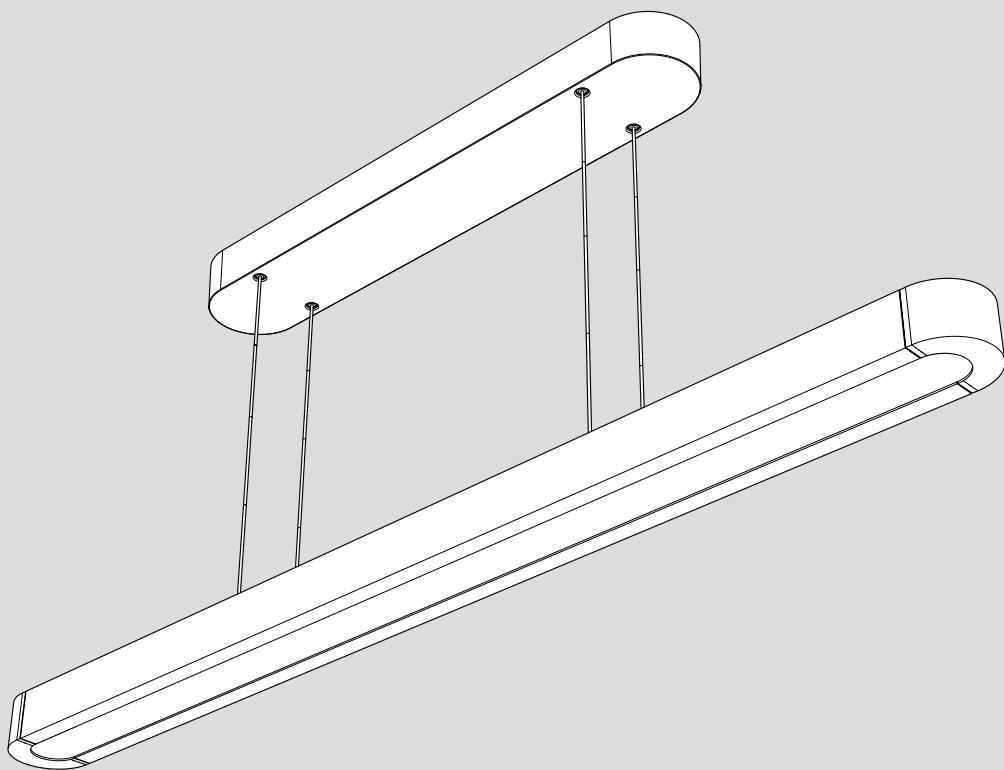


Artemide®

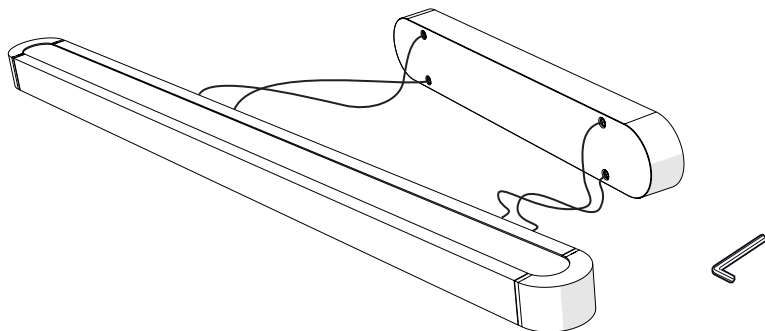
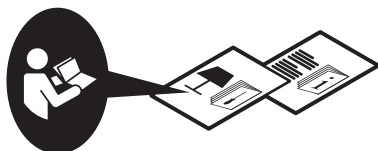
Talo

design
N. Poulton

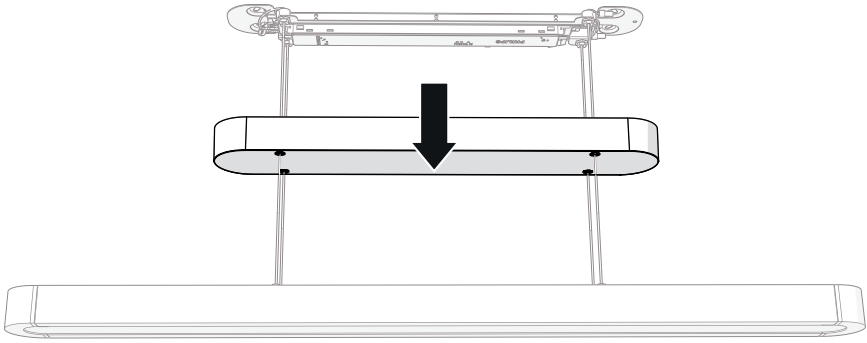




i



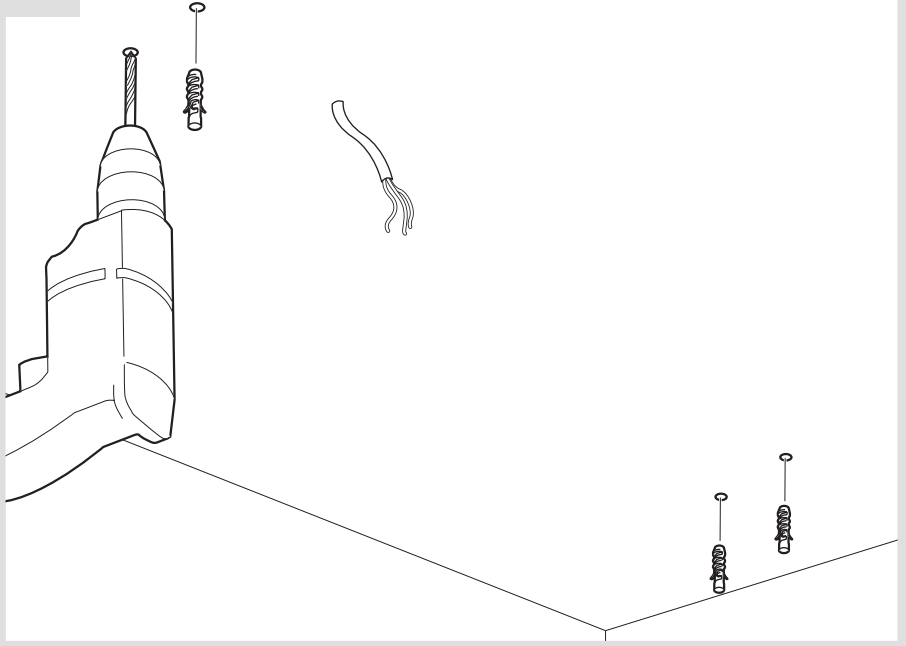
1



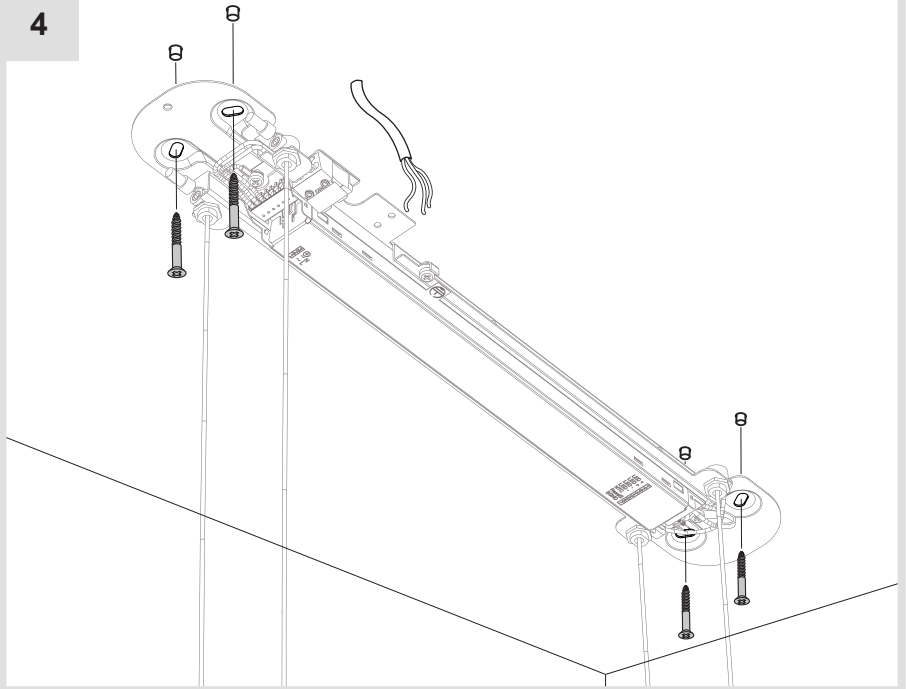
2



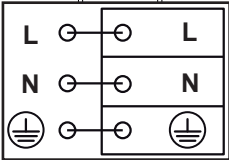
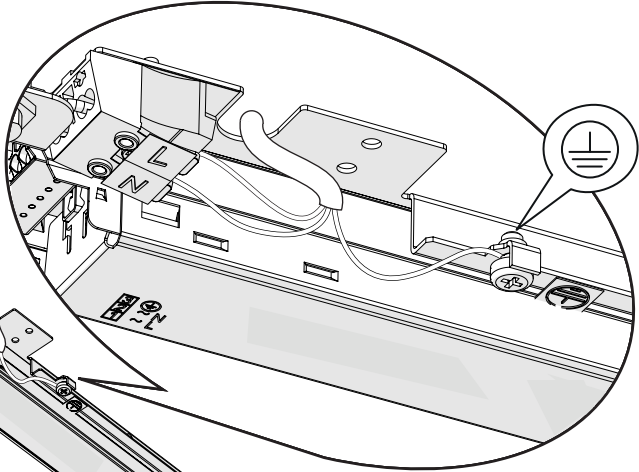
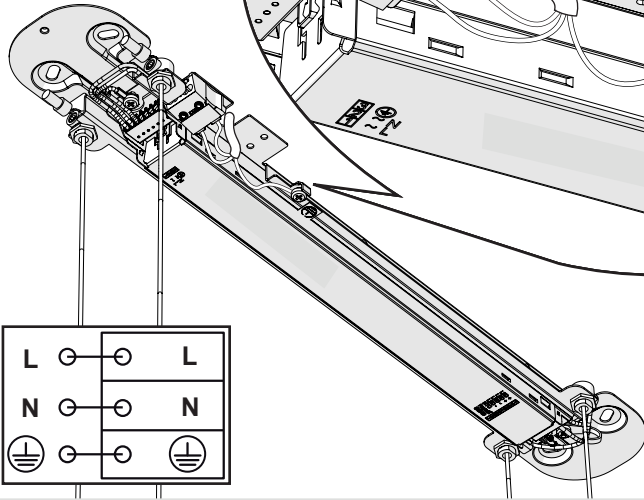
3



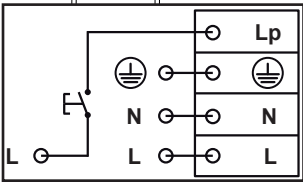
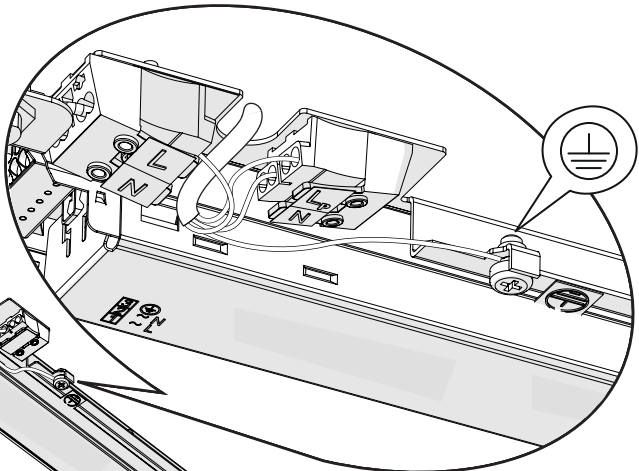
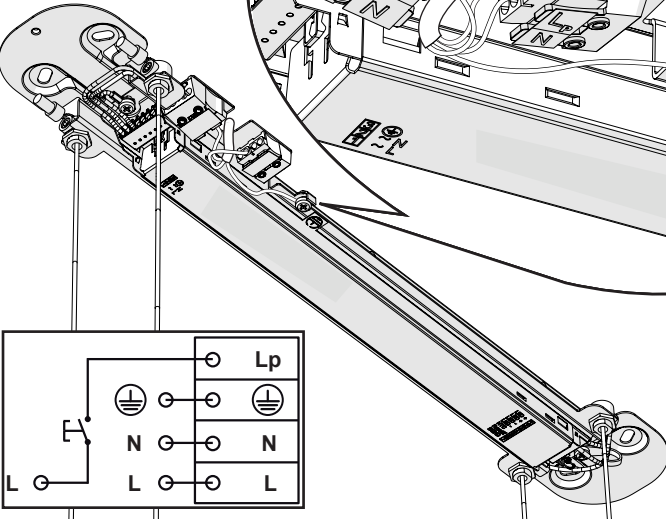
4



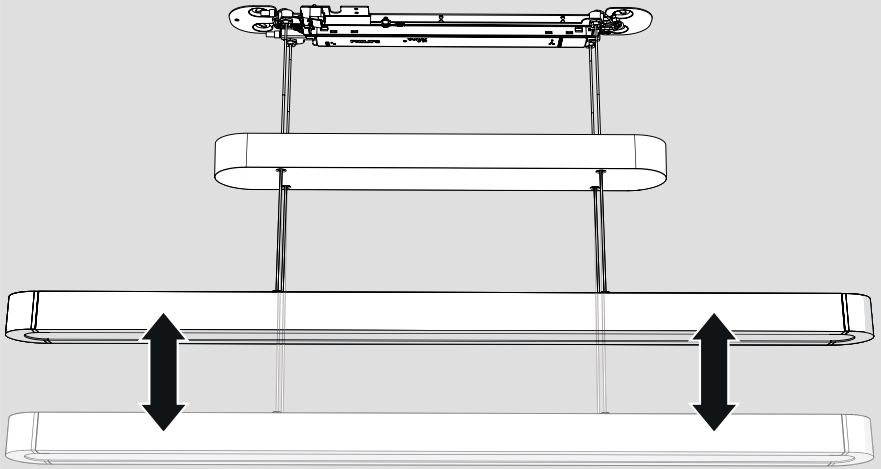
5a



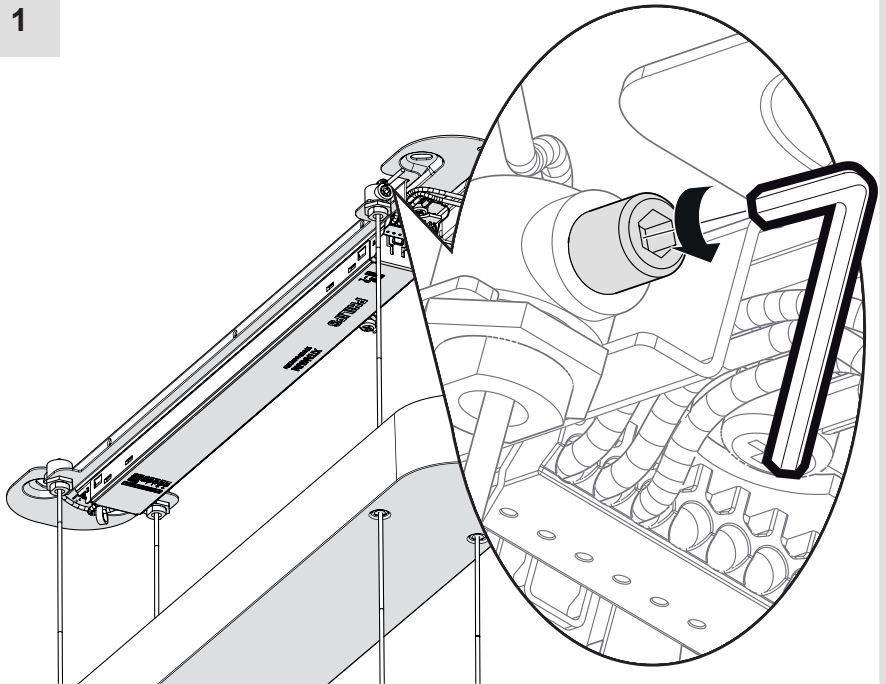
5b



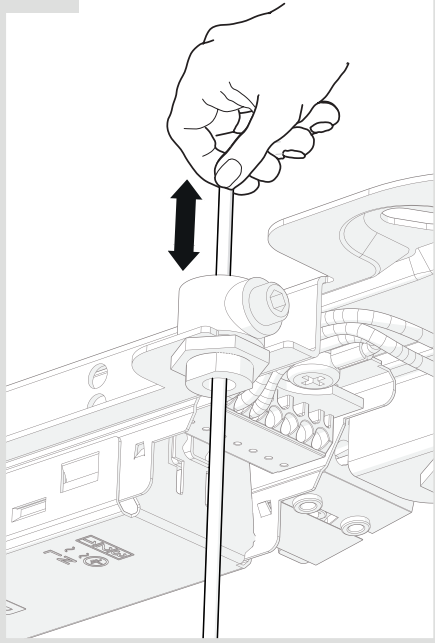
i



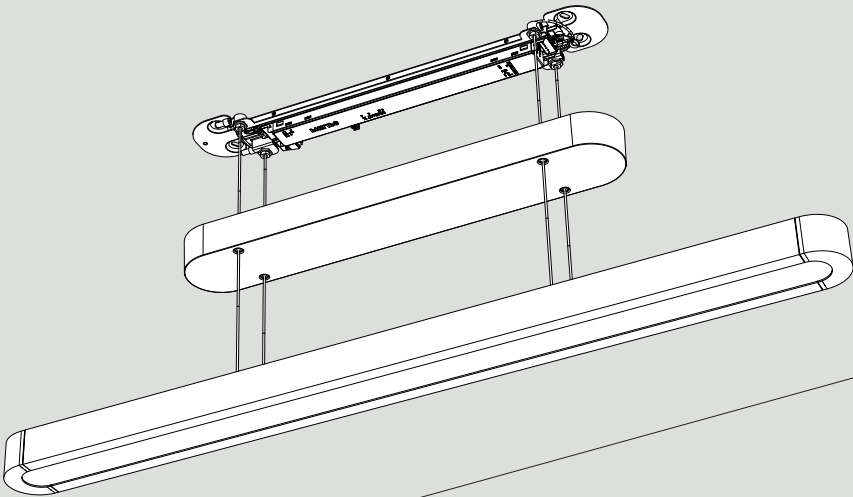
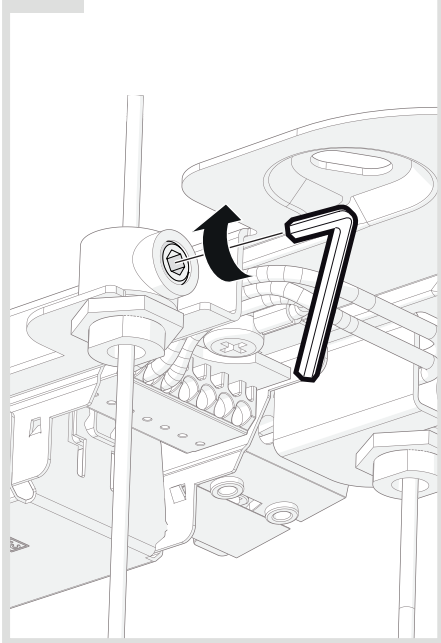
1



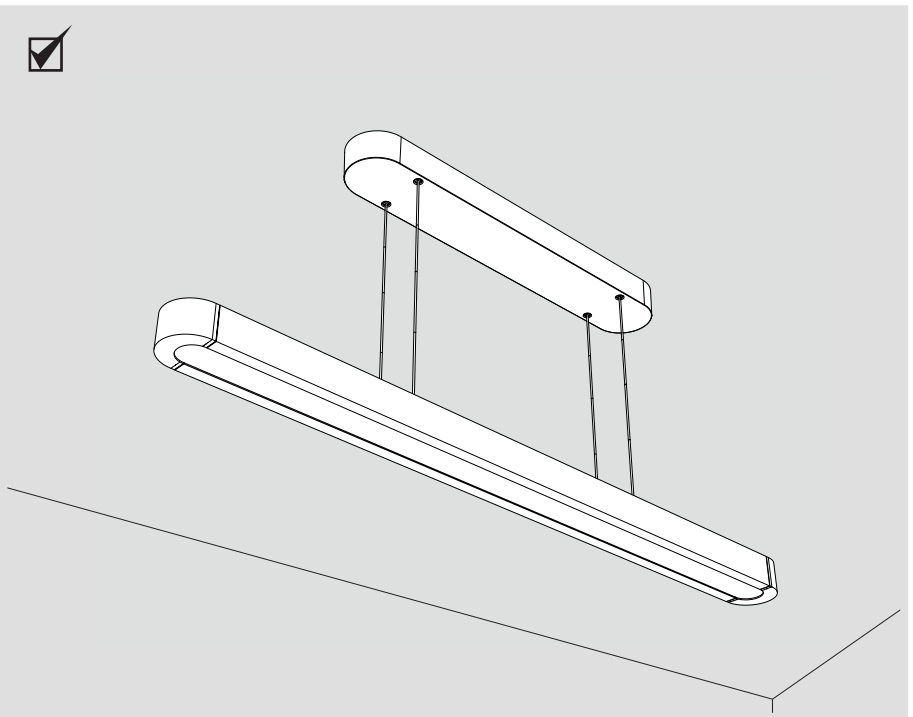
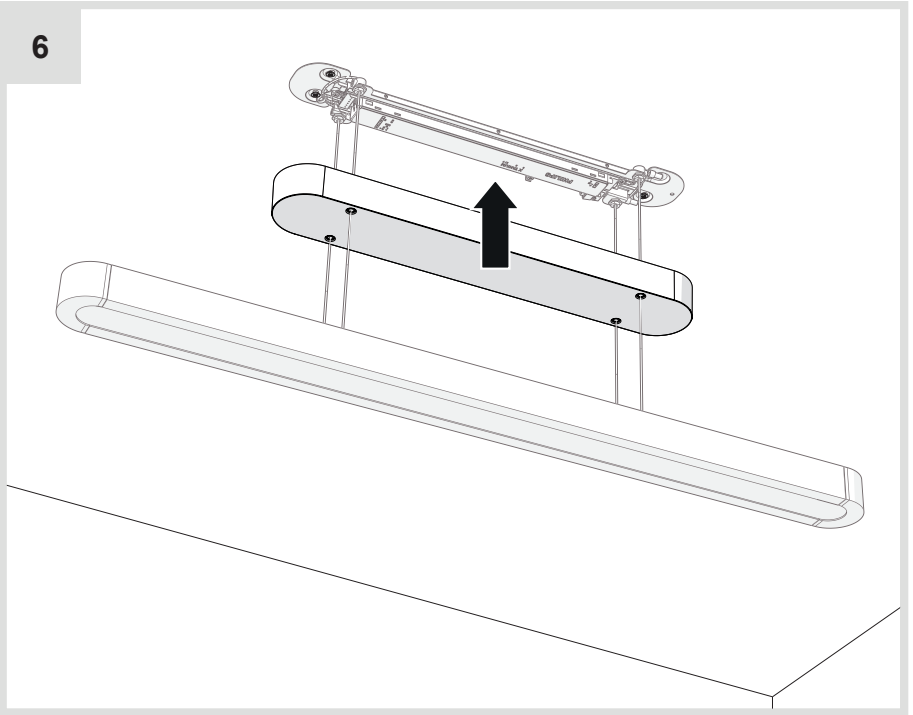
2

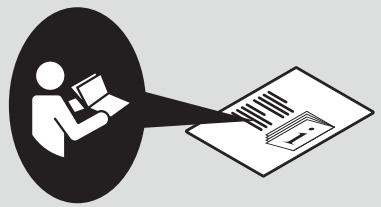


3

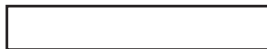


6





Artemide®



Artemide

via Bergamo, 18
20010 Pregnana M.se (MI)
ITALIA

tel. +39 02 935 181
fax +39 02 935 90 254
fax +39 02 935 90 496

www.artemide.com

VAT IT00846890150

cod. Y513000192A