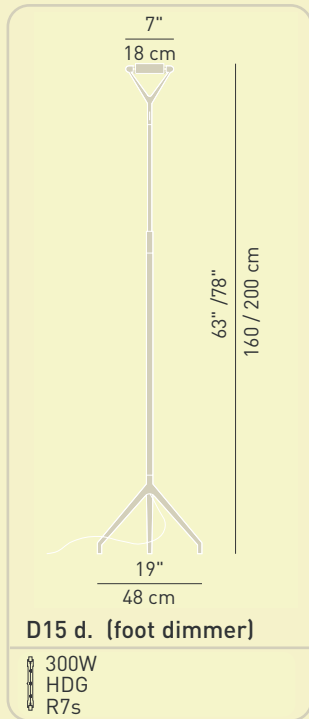
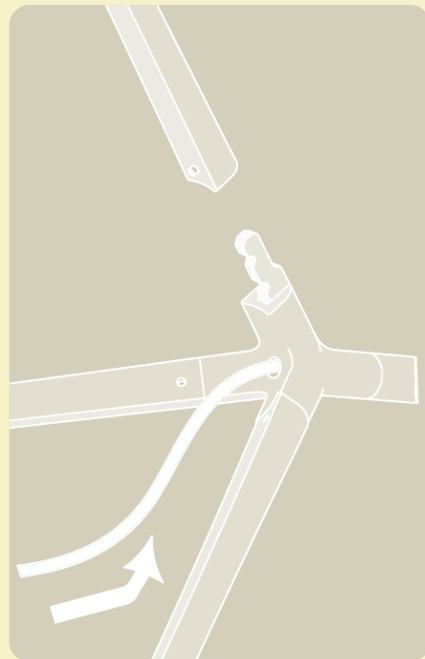
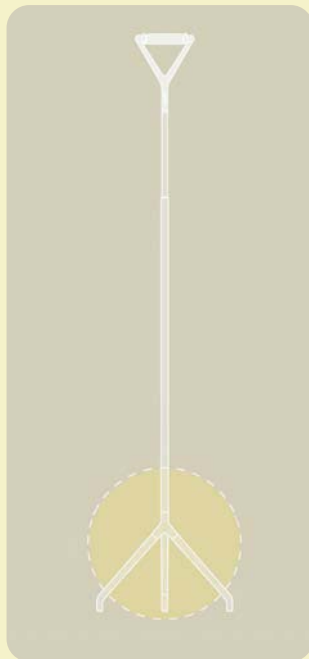
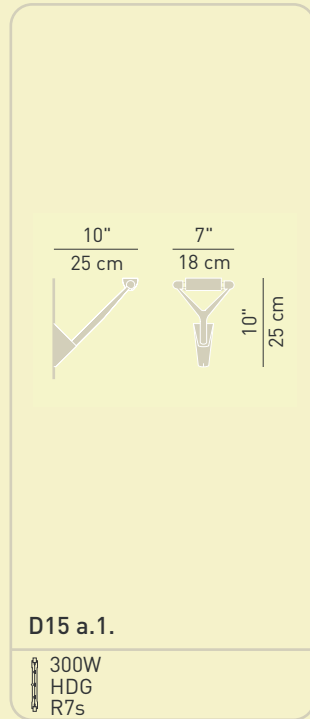


floor



wall



reflector can be regulated by a small rod on the head, thus providing both diffused and direct light

materials

aluminium telescopic stem rynite head microperforated metal reflector anti-UV Pyrex protection glass

structure finishes

