

# Phantom, An elegant *Evening.*

design Jean François Crochet  
terzani.com


**TERZANI**  
LA LUCE PENSATA





**Type |**  
Wall sconce

**Materials |**  
Metal

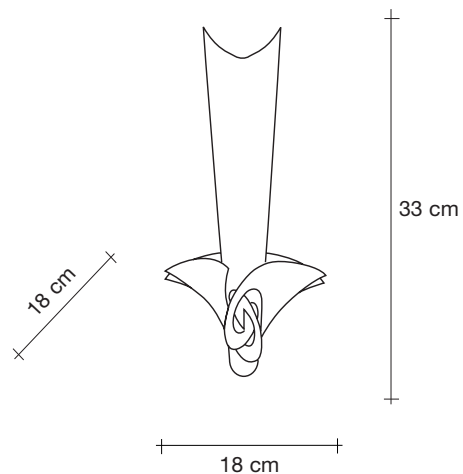
**Finishes | Code**

 Satin/Nickel  
0B20A F3 A1

 Rusty  
0B20A F1 A7

 Gold  
0B20A F6 A1

Body |




**Light Source |**

230-240V ~ 50/60Hz

 HALOGEN  
42W E14

or

 LED  
4W E14

 Dimmable with  
all systems

Sometimes, we are rather theatrical. Perfect company for formal affair, Phantom's masculine, waxed rust collar provides a handsome frame to the hand-blown glass diffuser, finished in gold leaf for an extra touch of luxury. Design Jean François Crochet.



2,5



1,5



43cm x 25cm x 25cm