

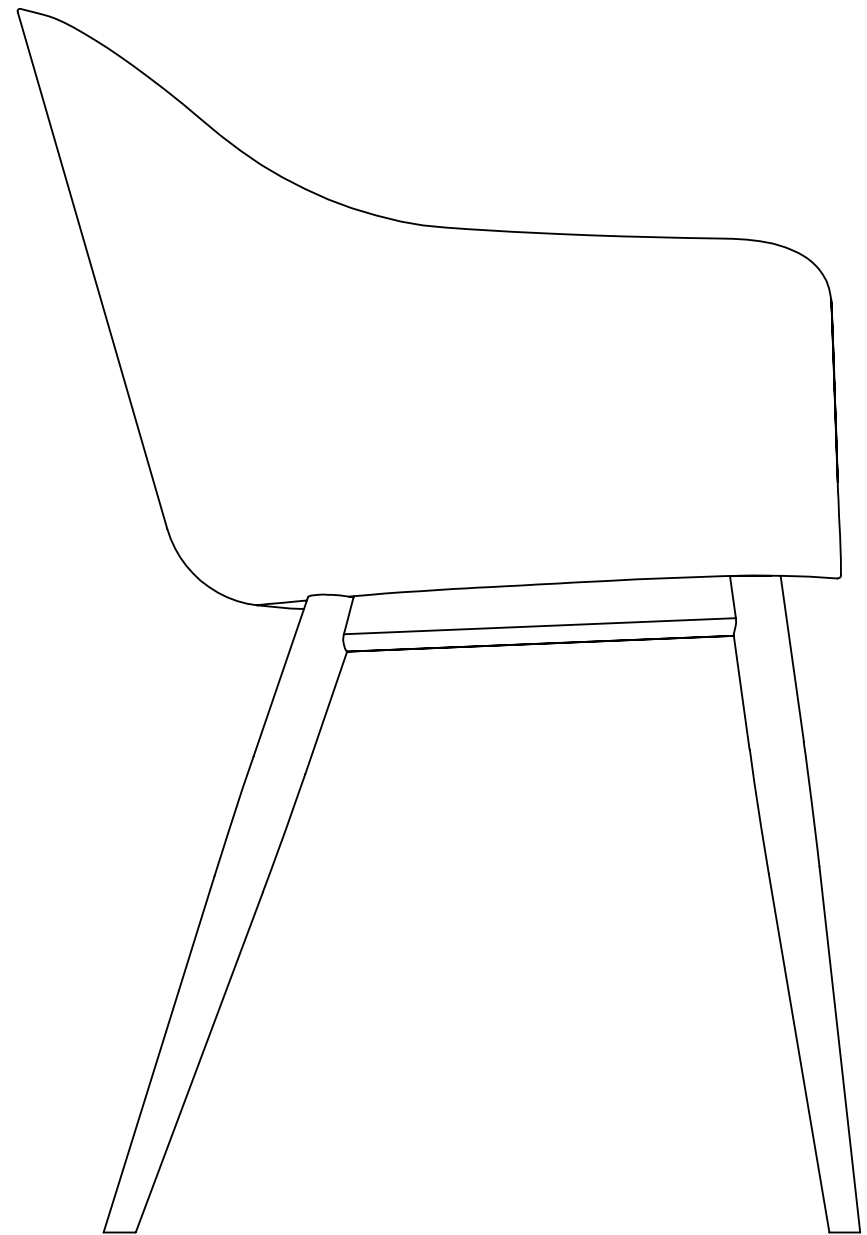


MENU



Harbour Chair
by Norm Architects

Meet the Harbour Chair



Harbour Chair by Norm Architects
TR Bulb, Shiny Opal by Tim Rundle
TR Bulb Wall Lamp by Tim Rundle

Androgyne Table by Danielle Siggerud
Stem Vase by DUBOKK
NNDW Dark Glazed, Low Bowl Ø13,5 by Norm Architects



Clean lines. Diverse, tactile materials. A sublime sit. The Harbour Chair was conceived with all these elements in mind to create the ultimate, versatile, easy-going armchair for modern spaces.

Originally created by Norm Architects for MENU Space, MENU's new creative destination in Copenhagen's Nordhavn Harbour, the Harbour Chair pairs exceptional comfort with a strong profile. Finding a perfect balance between geometric and organic shapes, the shell's armrests bend outwards for maximum support, as does its high backrest, providing enveloping comfort in a slim, elegant form.

The Harbour Chair can be left bare or upholstered, with four elegant base styles in solid oak or powder-coated steel inviting further personalisation. The low, ergonomic armrests not only enhance comfort, but also allow the chair to be tucked all the way under standard dining tables.

This is the type of sitting experience that energises you in the morning, helps you plug in during the day, and welcomes you to unwind at night. From the kitchen to the office, the private dining room to the bustling café, the Harbour Chair effortlessly sails to any destination, becoming instantly at home – and making sure you feel the same.

VARIETY OF COMBINATION POSSIBILITIES. AVAILABLE IN SIX SHELL COLOURS,
LEATHER OR TEXTILE UPHOLSTERY AND FIVE BASE OPTIONS.



About Norm Architects

Founded in Copenhagen in 2008 by Jonas Bjerre-Poulsen and Kasper Rønn, Norm Architects specialise in residential architecture, commercial interiors, industrial design, photography and art direction.

Today, the group regularly collaborates with MENU, helping to drive the evolution of the brand and its product offerings.

Norm Architects' name reflects the group's emphasis on the importance of drawing inspiration from norms and

traditions within architecture and design – particularly the Scandinavian design principles of timeless aesthetics and natural materials, and the modernist values of restraint and refinement. Guided by these principles, Norm Architects produce design that unites good materials and craftsmanship, while embodying beauty, traditions, history and, most importantly, timeless simplicity, where there is nothing more to add or take away.



About MENU

MENU IS A SCANDINAVIAN DESIGN BRAND WITH A SIMPLE PURPOSE: TO MAKE THE WORLD MORE BEAUTIFUL, LESS COMPLICATED, AND A LITTLE BIT NICER TO WAKE UP TO.

Since 1978, we have harnessed the skills of top designers and craftspeople in Scandinavia and around the world to create contemporary design that is clean, clever and natural.

These principles culminate in an aesthetic we call soft minimalism. Together with our Danish Modernist roots, this concept serves as a foundation for our designers as they find new ways to unite our heritage with a fresh vision for modern living, reimagining mid-century modern values to bring irresistible new ideas to people and spaces.

Today, the MENU collection features

diverse yet visually and conceptually unified designs by contemporary talents from around the globe, as well as classic Scandinavian masters whose work has stood the test of time. Whether it's furniture that helps you recharge and connect, an indispensable item for your kitchen or bath, a lamp series with sculptural appeal, or an elegant vase that completes your living space, each MENU design infuses a sense of calm through minimalist lines and natural tones, and provides high comfort and functionality to simplify and enrich modern living.

Your chosen objects will be with you for years to come. We know every decision you make is important, and we want nothing more than to bring joy, beauty and ease to the process of designing your space.

It's why we exist and what we do best.

Harbour Chair, Icon Textile, Dark-Stained Oak Base by Norm Architects

MENU





About Menu Space

In 2017, Norm Architects designed a new type of showroom for MENU in Nordhavn Harbour, Copenhagen's new creative destination. Reflecting today's rapidly changing intersection of home and work, Menu Space is part office, part café, part co-working space—and all community-oriented building. It functions as a place for great ideas, beautiful design, and inspiration. Here, you'll find openness, knowledge sharing, co-working, and collaboration. It's a new approach to running a design business that highlights the collaborative, unifying nature of design, while serving as a showcase and testing ground for new concepts.

Menu Space in Nordhavn Harbour

Harbour Chair, Savanna Textile, Light Grey Steel Base by Norm Architects
Harbour Chair, Dakar Leather, Natural Oak Base by Norm Architects



Harbour Chair, Remix 2 Textile,
Black Steel Base by Norm Architects



PRICING



Stock Item
White Shell / Wood Base
Art. no.: 9362000

Stock Item
Black Shell / Black Steel Base
Art. no.: 9361000

THE HARBOUR CHAIR IS AN ARMCHAIR WITH A STEEL OR WOOD BASE. IT IS AVAILABLE IN BOTH TEXTILE AND LEATHER UPHOLSTERY, AS WELL AS AS A SIMPLE SHELL WITHOUT UPHOLSTERY. THE SHELL IS AVAILABLE IN SIX COLOURS, WHILE THE TEXTILE AND LEATHER COME IN A RANGE OF POSSIBLE COLOURS AND CAN BE CUSTOMISED. THE BASE COMES IN SIX VARIATIONS, SO YOU CAN MIX AND MATCH COLOUR, BASE, AND TEXTURE TO FIT YOUR SPECIFIC NEEDS FOR THE HOME, WORKPLACE, OR ANY OTHER SPACE.

OUR UPHOLSTERED CHAIRS ARE PRICED IN FOUR CATEGORIES. PRICES VARY DEPENDING ON THE TYPE OF UPHOLSTERY OR LEATHER YOU SELECT. PLEASE REACH OUT TO US IF YOU HAVE ANY QUESTIONS OR REQUESTS.

WE HAVE 25 DIFFERENT HARBOUR CHAIR VARIANTS IN STOCK AVAILABLE FOR QUICK SHIP. PLEASE SEE A SELECTION OF QUICK SHIP COMBINATIONS ON THE NEXT PAGE.

HARBOUR, STEEL BASE

Category: Chair
Materials: See 'Shell' and 'Steel Base'
H: 81, W: 59, D: 57, SH: 45 cm

SHELL – WITHOUT UPHOLSTERY

| | | | |
|-----|----------|----------|----------|
| DKK | 1.995,00 | /Ex. Vat | 1.496,25 |
| NOK | 2.800,00 | /Ex. Vat | 2.100,00 |
| SEK | 2.800,00 | /Ex. Vat | 2.100,00 |
| EUR | 275,00 | /Ex. Vat | 217,25 |
| GBP | 249,95 | /Ex. Vat | 199,96 |

TEXTILE – PRICE CATEGORY 1

| | | | |
|-----|----------|----------|----------|
| DKK | 3.695,00 | /Ex. Vat | 2.771,25 |
| NOK | 4.995,95 | /Ex. Vat | 3.746,96 |
| SEK | 4.995,95 | /Ex. Vat | 3.746,96 |
| EUR | 495,95 | /Ex. Vat | 391,80 |
| GBP | 449,95 | /Ex. Vat | 359,96 |

TEXTILE – PRICE CATEGORY 2

| | | | |
|-----|----------|----------|----------|
| DKK | 4.695,00 | /Ex. Vat | 3.521,25 |
| NOK | 5.995,95 | /Ex. Vat | 4.496,96 |
| SEK | 5.995,95 | /Ex. Vat | 4.496,96 |
| EUR | 639,95 | /Ex. Vat | 505,56 |
| GBP | 549,95 | /Ex. Vat | 439,96 |

TEXTILE – PRICE CATEGORY 3

| | | | |
|-----|----------|----------|----------|
| DKK | 5.695,00 | /Ex. Vat | 4.271,25 |
| NOK | 7.195,95 | /Ex. Vat | 5.396,96 |
| SEK | 7.195,95 | /Ex. Vat | 5.396,96 |
| EUR | 769,95 | /Ex. Vat | 608,26 |
| GBP | 699,95 | /Ex. Vat | 559,96 |

LEATHER – PRICE CATEGORY 1

| | | | |
|-----|----------|----------|----------|
| DKK | 6.695,00 | /Ex. Vat | 5.021,25 |
| NOK | 8.495,95 | /Ex. Vat | 6.371,96 |
| SEK | 8.495,95 | /Ex. Vat | 6.371,96 |
| EUR | 899,95 | /Ex. Vat | 710,96 |
| GBP | 799,95 | /Ex. Vat | 639,96 |

LEATHER – PRICE CATEGORY 2

| | | | |
|-----|----------|----------|----------|
| DKK | 7.695,00 | /Ex. Vat | 5.771,25 |
| NOK | 9.795,95 | /Ex. Vat | 7.346,96 |
| SEK | 9.795,95 | /Ex. Vat | 7.346,96 |
| EUR | 1.039,95 | /Ex. Vat | 821,56 |
| GBP | 929,95 | /Ex. Vat | 743,96 |

LEATHER – PRICE CATEGORY 3

| | | | |
|-----|-----------|----------|----------|
| DKK | 8.695,00 | /Ex. Vat | 6.521,25 |
| NOK | 10.995,95 | /Ex. Vat | 8.246,96 |
| SEK | 10.995,95 | /Ex. Vat | 8.246,96 |
| EUR | 1.169,95 | /Ex. Vat | 924,26 |
| GBP | 1.049,95 | /Ex. Vat | 839,96 |

HARBOUR, WOODEN BASE

Category: Chair
Materials: See 'Shell' and 'Wood Base'
H: 81, W: 59, D: 57, SH: 45 cm

SHELL – WITHOUT UPHOLSTERY

| | | | |
|-----|----------|----------|----------|
| DKK | 2.495,00 | /Ex. Vat | 1.871,25 |
| NOK | 3.500,00 | /Ex. Vat | 2.625,00 |
| SEK | 3.500,00 | /Ex. Vat | 2.625,00 |
| EUR | 335,00 | /Ex. Vat | 264,65 |
| GBP | 319,95 | /Ex. Vat | 255,96 |

TEXTILE – PRICE CATEGORY 1

| | | | |
|-----|----------|----------|----------|
| DKK | 3.995,00 | /Ex. Vat | 2.996,25 |
| NOK | 6.125,00 | /Ex. Vat | 4.593,75 |
| SEK | 6.125,00 | /Ex. Vat | 4.593,75 |
| EUR | 539,95 | /Ex. Vat | 426,56 |
| GBP | 579,95 | /Ex. Vat | 463,96 |

TEXTILE – PRICE CATEGORY 2

| | | | |
|-----|----------|----------|----------|
| DKK | 4.995,00 | /Ex. Vat | 3.746,25 |
| NOK | 7.500,00 | /Ex. Vat | 5.625,00 |
| SEK | 7.500,00 | /Ex. Vat | 5.625,00 |
| EUR | 669,95 | /Ex. Vat | 529,26 |
| GBP | 699,95 | /Ex. Vat | 559,96 |

TEXTILE – PRICE CATEGORY 3

| | | | |
|-----|----------|----------|----------|
| DKK | 5.995,00 | /Ex. Vat | 4.496,25 |
| NOK | 8.700,00 | /Ex. Vat | 6.525,00 |
| SEK | 8.700,00 | /Ex. Vat | 6.525,00 |
| EUR | 799,95 | /Ex. Vat | 631,96 |
| GBP | 829,95 | /Ex. Vat | 663,96 |

LEATHER – PRICE CATEGORY 1

| | | | |
|-----|----------|----------|----------|
| DKK | 6.795,00 | /Ex. Vat | 5.096,25 |
| NOK | 8.700,00 | /Ex. Vat | 6.525,00 |
| SEK | 8.700,00 | /Ex. Vat | 6.525,00 |
| EUR | 919,95 | /Ex. Vat | 726,76 |
| GBP | 829,95 | /Ex. Vat | 663,96 |

LEATHER – PRICE CATEGORY 2

| | | | |
|-----|-----------|----------|----------|
| DKK | 7.795,00 | /Ex. Vat | 5.846,25 |
| NOK | 10.200,00 | /Ex. Vat | 7.650,00 |
| SEK | 10.200,00 | /Ex. Vat | 7.650,00 |
| EUR | 1.049,95 | /Ex. Vat | 829,46 |
| GBP | 949,95 | /Ex. Vat | 759,96 |

LEATHER – PRICE CATEGORY 3

| | | | |
|-----|-----------|----------|----------|
| DKK | 8.795,00 | /Ex. Vat | 6.596,25 |
| NOK | 11.500,00 | /Ex. Vat | 8.625,00 |
| SEK | 11.500,00 | /Ex. Vat | 8.625,00 |
| EUR | 1.179,95 | /Ex. Vat | 932,16 |
| GBP | 1.095,95 | /Ex. Vat | 876,76 |

CUSTOMERS OWN MATERIAL

Price group 1:
Customers own material is subject to final testing and approval.

READY FOR SHIPPING

Quick Ship: 3 weeks
Upholstery: 6-8 weeks

SHELL

Black, White, Burned Red, Olive, Khaki, Light Grey
Materials: 85% Polypropylene, 15% Glass Fiber.

STEEL BASE

Black or Light Grey
Materials: Powder Coated Steel

WOODEN BASE

Wood base: Dark-Stained Oak, Black Stained Oak or Natural Oak
Materials: Solid Oak.

See page 15–18 for the full upholstery programme.

BASE OPTIONS



WOOD BASE /
NATURAL OAK



WOOD BASE /
DARK STAINED OAK



WOOD BASE /
BLACK STAINED OAK



STEEL BASE / LIGHT GREY



STEEL BASE / BLACK

SHELL COLOURS



BURNED RED



OLIVE



KHAKI



WHITE



LIGHT GREY



BLACK

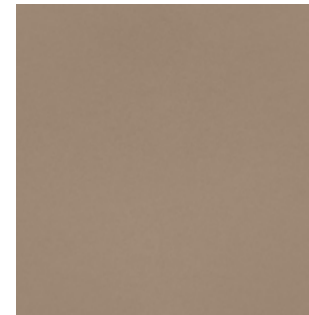
UPHOLSTERY PROGRAM – LEATHER

The MENU upholstery programme shows an overview of our textile and leather standard programme. All textile and leather collections are available in all colours. Please note that the colour references are only intended as a guide. For further information please see manufacturer websites, or contact your local MENU sales representative.

kvadrat.dk
gabriel.dk
sorensenleather.com
nevotex.com
astrid.se

Selection of textiles or leather outside of our upholstery programme, is subject to final testing and approval. Additional deliverytime may also occur.

PRICE CATEGORY 1



Ultra, Sørens Leather
Available in all colours

Protected Leather



Dakar, Nevotex
Available in all colours

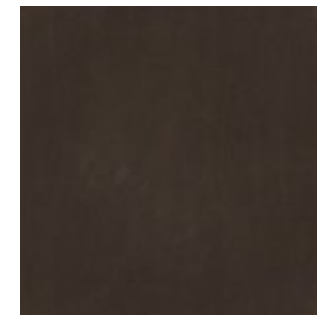
Aniline Leather

PRICE CATEGORY 2



Shade, Sørens Leather
Available in all colours

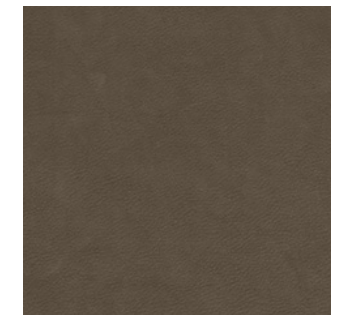
Protected Aniline Leather



Dunes, Sørens Leather
Available in all colours

Aniline Leather

PRICE CATEGORY 3



Royal Nubuck, Sørens Leather
Available in all colours

Aniline Leather

UPHOLSTERY PROGRAM – TEXTILE

The MENU upholstery programme shows an overview of our textile and leather standard programme. All textile and leather collections are available in all colours. Please note that the colour references are only intended as a guide. For further information please see manufacturer websites, or contact your local MENU sales representative.

kvadrat.dk
gabriel.dk
sorensenleather.com
nevtex.com
astrid.se

Selection of textiles or leather outside of our upholstery programme, is subject to final testing and approval. Additional deliverytime may also occur.

PRICE CATEGORY 1



Gaja C2C, Gabriel
Available in all colours

100% Wools Of New Zealand



Remix 2, Kvadrat
Available in all colours

90% New Wool Worsted, 10% Nylon



Vienna, Nevotex
Available in all colours

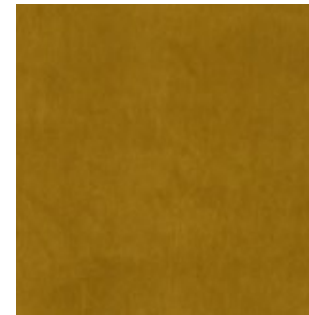
100% Polyester



Milly, Nevotex
Available in all colours

100 % Cotton

PRICE CATEGORY 2



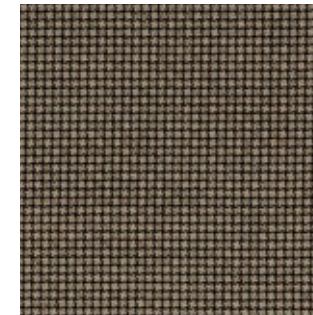
Icon, Nevotex
Available in all colours

100% Polyester



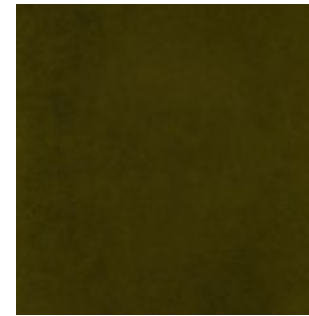
Canvas, Kvadrat
Available in all colours

90% New Wool Worsted, 10% Nylon



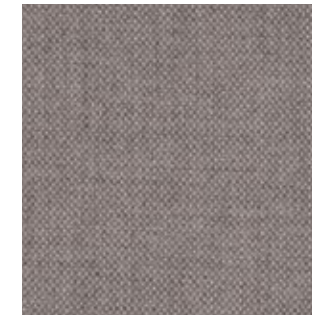
Colline, Kvadrat
Available in all colours

75% New Wool Worsted, 17% Acrylic,
8% Nylon



Ritz, Nevotex
Available in all colours

83% Cotton, 9% Modal, 8% Polyester



Fiord, Kvadrat
Available in all colours

92% New Wool Worsted, 8% Nylon



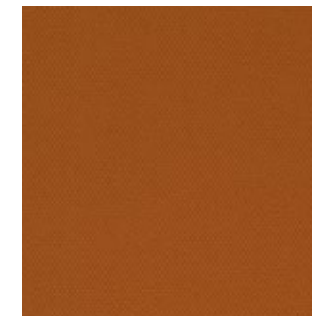
Savanna, Kvadrat
Available in all colours

92% New Wool Worsted, 8% Nylon



Hallingdal 65, Kvadrat
Available in all colours

70% New Wool, 30% Viscose



Steelcut 2, Kvadrat
Available in all colours

90% New Wool Worsted, 10% Nylon



Steelcut Trio 2, Kvadrat
Available in all colours

90% New Wool Worsted, 10% Nylon

PRICE CATEGORY 3



Tokyo, Kvadrat
Available in all colours

67% New Wool, 24% Polyester, 9% Nylon



Vintage, Astrid
Available in all colours

90% Linen, 10% Polyamide



Outback, Kvadrat
Available in all colours

80% New Wool, 20% Nylon



Crystal Field, Kvadrat
Available in all colours

53% Cotton, 38% New Wool, 9% Nylon



Black / Dark Oak Base
Item no.: 30000O



White / Dark Oak Base
Item no.: 30001O



Burned Red / Dark Oak Base
Item no.: 30002O



Khaki / Dark Oak Base
Item no.: 30003O



Light Grey / Dark Oak Base
Item no.: 30004O



Olive / Dark Oak Base
Item no.: 30005O



Black / Natural Oak Base
Item no.: 30006O



Burned Red / Natural Oak Base
Item no.: 30007O



Khaki / Natural Oak Base
Item no.: 30008O



Light Grey / Natural Oak Base
Item no.: 30009O



Olive / Natural Oak Base
Item no.: 30010O



Remix 233 / Natural Oak Base
Item no.: 30011O



White / Black Steel Base
Item no.: 30019O



Burned Red / Black Steel Base
Item no.: 30020O



Khaki / Black Steel Base
Item no.: 30021O



Light Grey / Black Steel Base
Item no.: 30022O



Olive / Black Steel Base
Item no.: 30023O



Remix 233 / Black Steel Base
Item no.: 30024O

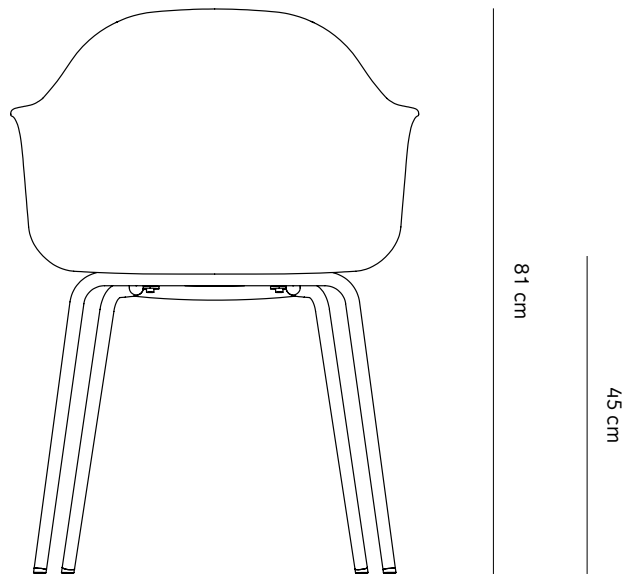
MENU offers a wide range of Harbour Chair variants ready for shipping within 2–3 weeks, called Quick Ship products. We have 25 different Harbour Chair variants in stock. Please request a full Quick Ship list from your local sales representative.

Harbour Chair, Haakon 2 Textile, Dark-Stained Oak Base by Norm Architects
Harbour Chair, Dakar Leather, Natural Oak Base by Norm Architects
Harbour Chair, Tokyo Textile, Black Steel Base by Norm Architects

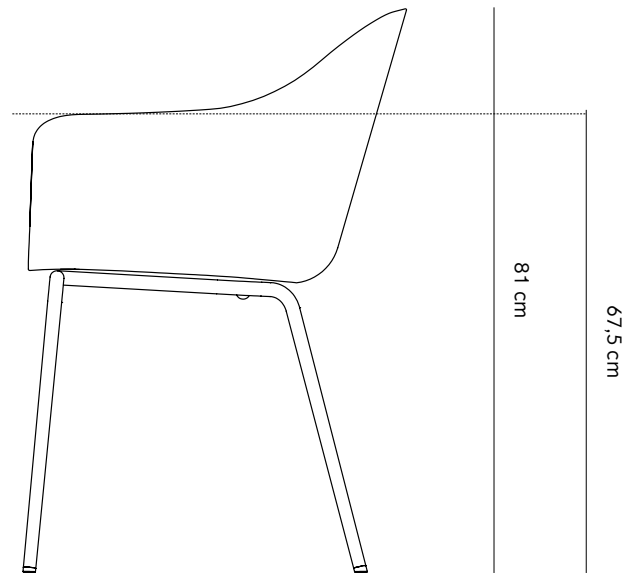
Harbour Chair, Coda 2 Textile, Light Grey Steel Base by Norm Architects
Harbour Chair, Colline Textile, Black Steel Base by Norm Architects
Harbour Chair, Hallingdal 65 Textile, Light Grey Steel Base by Norm Architects



STEEL BASE

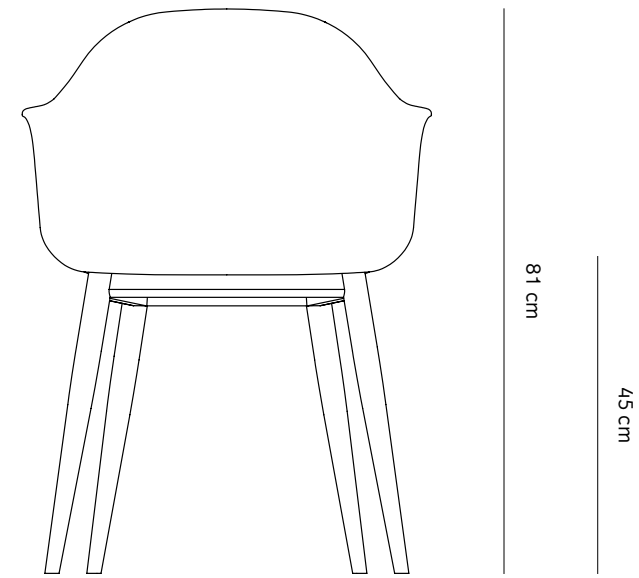


59 cm

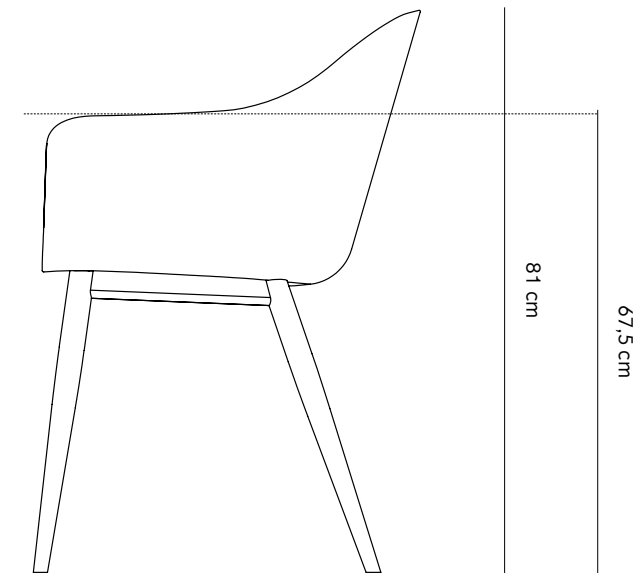


57 cm

WOOD BASE



59 cm



57 cm



DESIGN FEATURES

Designed for optimal comfort with good lumbar support

Profile bridges classic and modern aesthetics

Easy to move around due to lightweight materials and curved armrests

Wide range of possible colour and material combinations

Suitable for many uses, including in conference rooms, restaurants and homes

Quality-tested to ensure long-term durability, making design ideal for both contract and residential use

Lowered armrests for stowing under most tables

Chambers Chandelier, Brass by Søren Rose Studio
Harbour Chair, Dakar Leather by Norm Architects
Snaregade Table, Black/Charcoal Linoleum by Norm Architects
Plinth Tall, Black by Norm Architects
Cyclades Vase, Large, Sand by Nick Ross
Échasse Bowl, Small, Smoked Glass/Brushed Brass by Theresa Rand
New Norm Dinnerware, Dark Glazed, by Norm Architects
Stackable Glasses by Norm Architects
Water Bottle 1 L, Clear Glass/Brass by Norm Architects

MATERIALS & PRODUCTION PROCESS

SHELL

85% Polypropylene, 15% Glass Fiber.
Made by Injection Moulding.

| | |
|------------|---------|
| Black | RAL9011 |
| White | RAL9016 |
| Light Grey | RAL9002 |
| Olive | RAL7002 |
| Khaki | RAL1011 |
| Burned Red | RAL8015 |

STEEL BASE

Powder Coated Steel. Made from bended
Ø18 steel tubes, welded together.

| | |
|------------|-------------------|
| Black | RAL9005, Gloss 20 |
| Light Grey | RAL9002, Gloss 20 |

WOOD BASE

Solid Oak

Natural Oak, Matt Lacquered
Dark Stained, Stained with a Brown/Smoked
Oak Finish
Black Stained Oak

UPHOLSTERY & FOAM

CAL117 50kg / 50 N or CMHR 40kg / 60N

THICKNESS

Inside – 15mm, outside – 5mm

CERTIFICATIONS

STEEL BASE

EN1022:2005, L2
(Domestic furniture – Seating –
Determination of stability)

EN16139:2013, L2
(Furniture – Strength, durability and safety
– Requirements for non-domestic seating)

ANSI/BIFMA approved

WOOD BASE

EN1022:2005, L2
(Domestic furniture – Seating –
Determination of stability)

EN16139:2013, L2
(Furniture – Strength, durability and safety
– Requirements for non-domestic seating)

Harbour Chair by Norm Architects
Snaregade Table, Rectangular by Norm Architects
JWDA Table Lamp by Jonas Wagell
Cyclades Vases, Small by Nick Ross
NNDW Dark Glazed, Bowl Ø17.5 by Norm Architects





