

INSTRUCTION MANUAL

CORD SET



By *HAY*

HAY

INTRODUCTION

A multi-purpose Cord set and ceiling rose, which complements a variety of pendant lights and shades.

TECHNICAL DATA

This product is fitted with an E27 bulb fitting. HAY will not accept any responsibility for any accidents or injuries that occur due to the use of incorrect bulbs.

ATTENTION

Ensure that the power supply to the circuit has clearly been turned OFF before installing the product. In some countries, electrical installation must be carried out by authorised electricians/contractors; please check with your local authority for guidance. The product must not be modified in any way. HAY accepts no responsibility for any products that

have been modified or tampered with. If the external flexible cable or cord of this luminaire is damaged, it should be exclusively replaced by the manufacturer or the service agent or a person with similar qualifications in order to avoid a hazard.

This lamp is designed for indoor use only.

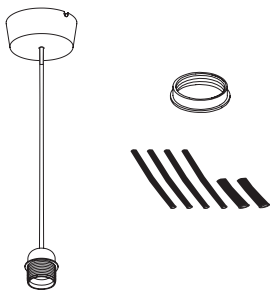
CARE AND MAINTENANCE

Ensure that the power supply has been turned OFF before cleaning the product. The product can be cleaned with a soft

damp cloth and mild detergent. Do not use alcohol or any other solvents to clean the product.

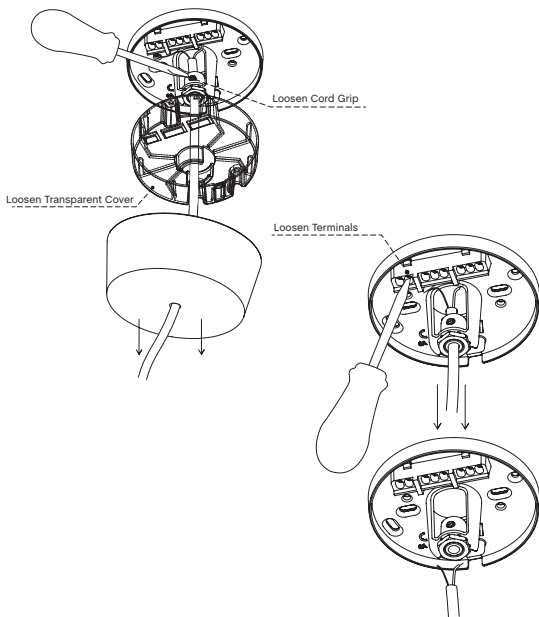


PARTS



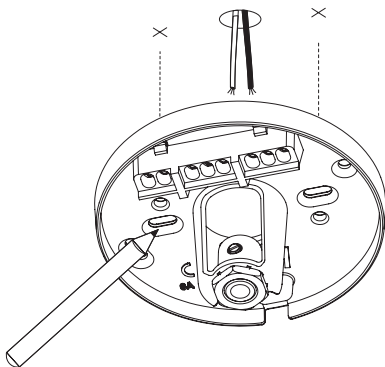
1.

Pull the ceiling cap away from the internal magnetic bracket. Loosen the transparent cover and cable grip with a screwdriver and gently remove the cable, pulling it through the cord grip carefully. Remember to also loosen the terminal block connections if the connecting wires are fixed in place there, before pulling the cable through the cord grip.



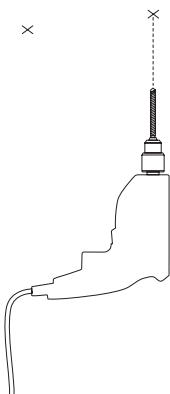
2.

With a pencil, mark fixing holes either side of the cable exit hole on the ceiling.



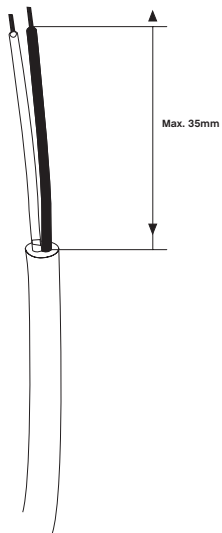
3.

Drill holes and insert wall plugs. Ensure you use the correct type of wall plugs for the material you are drilling into.

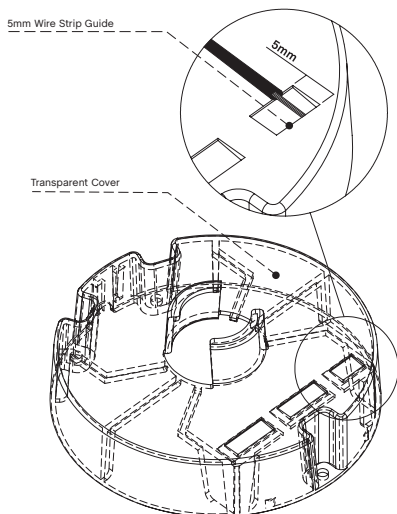


4.

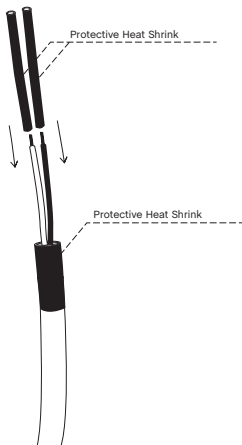
Trim the cable to the desired length, leaving 35mm of basic single insulation exposed for wiring.



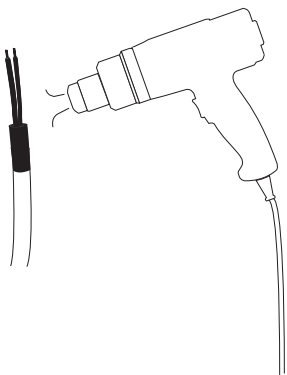
There is a 5mm wire strip guide provided on the internal cover, as shown below. Strip 5mm of exposed wire carefully, ensuring both layers of insulation are intact and not damaged.



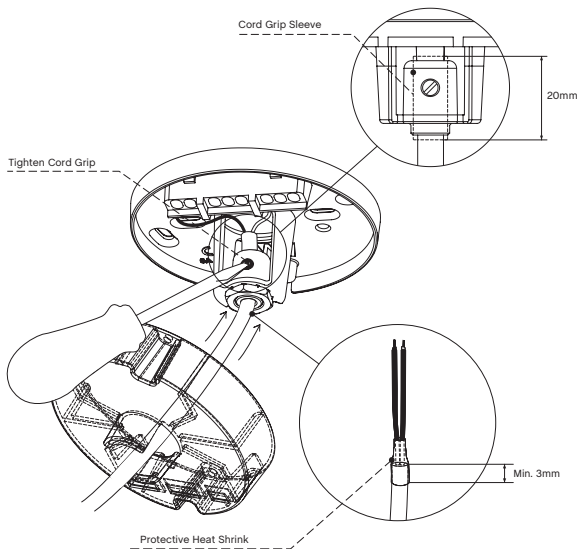
It is advised that any wire exposed with just a single basic layer of insulation is covered with the protective heat shrink provided. (Two sleeves for the basic insulated wire and one sleeve for covering the opening of the pendant cable).



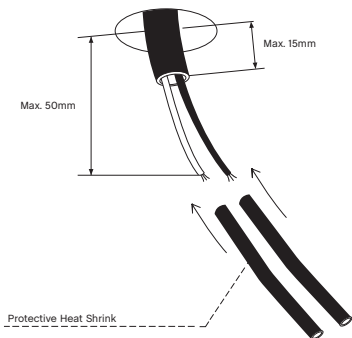
A heat gun can be used to shrink and fix this protective insulation in place, as shown below.



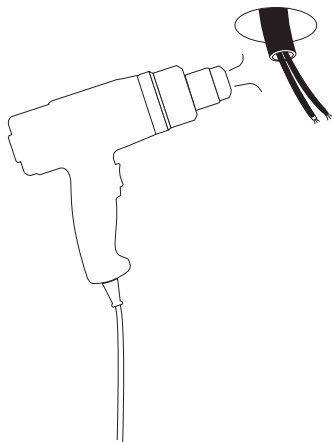
Replace the pendant's cable at the desired length, fix the cord grip sleeve in place and tighten the cord grip, as shown on the clear ceiling bracket. Ensure there is a distance of at least 3mm between the opening of the pendant cable and the opening of the sleeve.



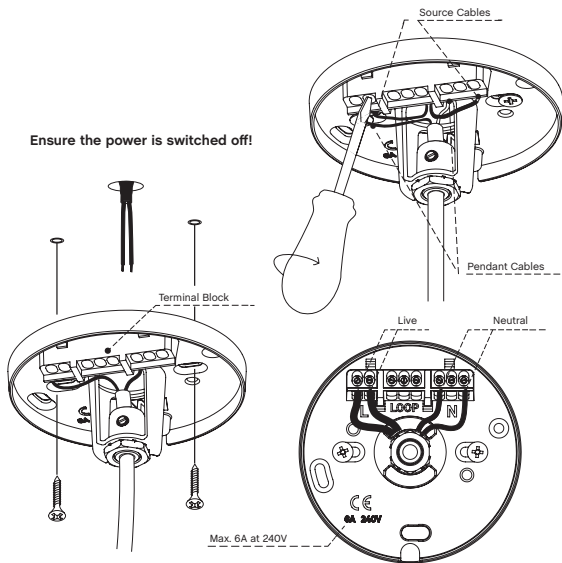
It is advised that any wire exposed with just a single basic layer of insulation is covered with the protective heat shrink provided. (Two sleeves for the basic insulated wire and one sleeve for covering the opening of the source cable).



A heat gun can be used to shrink and fix this protective insulation in place, as shown below.



Screw the clear ceiling bracket into the ceiling, ensuring there is enough cable exposed to connect both positive and neutral connections into the terminal block. Use the integrated terminal block on the internal bracket to connect the live and neutral wires. Both Live (L) and Neutral (N) are clearly marked on the clear bracket.

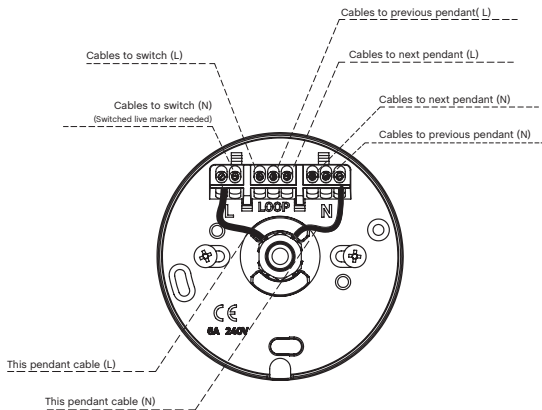


The terminal blocks of the clear ceiling bracket are integrated into a junction box with a loop-in feature. This can be utilised in a number of different ways to optimise the wiring of electrical fittings used in your environment, either for single light fixtures and switches, multiple light fixtures to a single switch, or even lamps and ceiling fans connected to a single switch. The below illustration is one example of how this feature can be used to connect multiple light fixtures to a single switch.

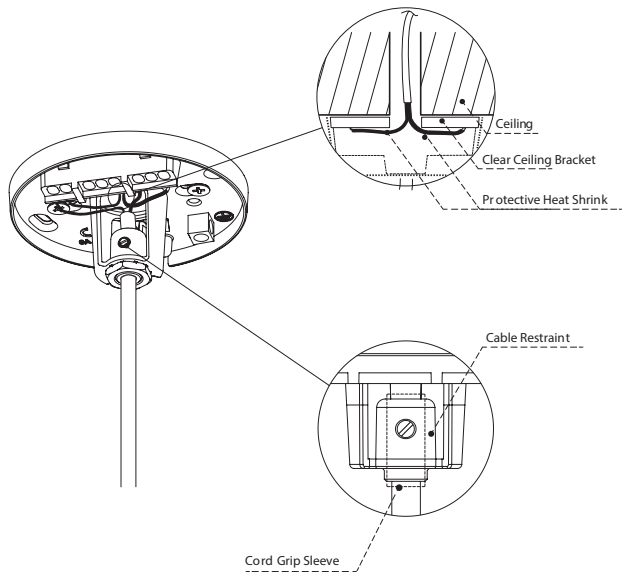
Max. 3 of the luminaires can be interconnected.

(Max. current for looping : 0.2056A)

Please note it is advisable that a qualified electrician installs multiple light fittings or ceiling fans that utilise this loop-in feature of our ceiling canopy.

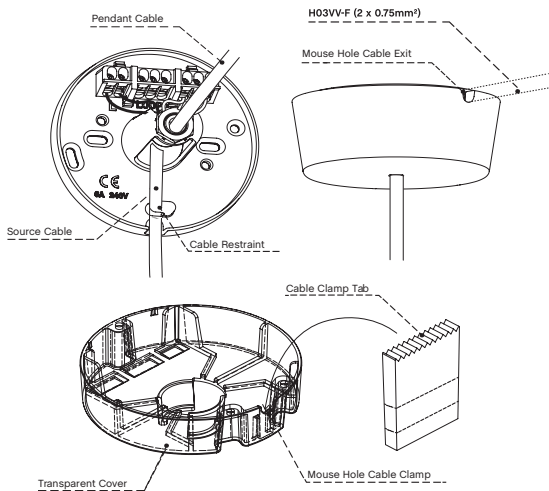


Check to ensure that the protective heat shrink, the cable restraints and cord grip sleeve are still in place after fitting all wires. Check that all of the Live, Neutral and Ground connections are securely connected before switching the power back on at the mains. Ensure there are no loose cables or exposed bare wires and that the clear ceiling bracket is securely fixed to the ceiling.

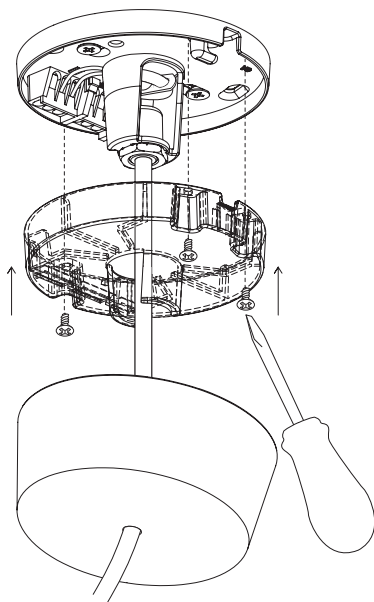


If utilising the mouse hole cable exit, please note the internal cable restraint and integrated cable clamp. The cable clamp tab can be removed and cut to the desired length to suit the cable thickness used, if this is longer than what is already provided.

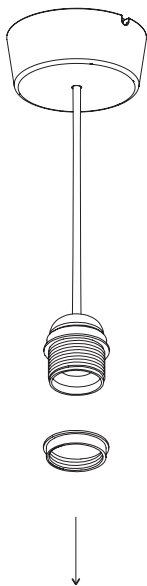
For the source cable, it is advised that any wire exposed with just a single basic layer of insulation is covered with the protective heat shrink provided (Steps 4 - 7). Replace the cable clamp tab, slotting it back into the mouse hole exit. This will clamp the cable tightly when the cover is screwed in place.



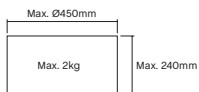
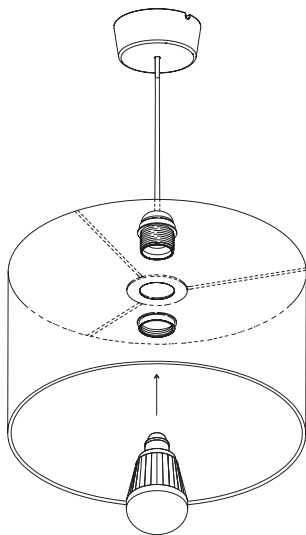
Replace the protective transparent plastic cover over the terminal and clear ceiling bracket, screwing it in place with the three fixings provided. This will isolate the internal electric during use. Replace the outer magnetic ceiling cap over the assembly, ensuring the mouse hole exits are lined up with the cover and bracket if you intend to utilise this feature.



You can now screw the provided LED bulb into the lamp holder. Take care not to tighten it too much.



Place the HAY shade on the bulb holder and replace the shade ring to fix it in place. Carefully screw a bulb into the bulb holder, ensuring that it is not too tight. Please note that shades are sold separately. This cord set should be used in conjunction with a standard E27 washer fitting as shown below.



Havnen 18700 HorsensDenmark
+45 4282 0282 / hay@hay.dk

HAY