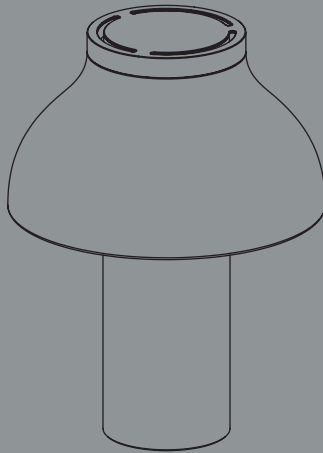


INSTRUCTION MANUAL

---

# PC TABLE



By *Pierre Charpin*

**HAY**



## INTRODUCTION

---

Pierre Charpin's PC Table Lamps is a collection of refined freestanding tabletop lamps. The lamps are constructed in anodised aluminium and feature a subtle sheen finish.

The light source is hidden from view by a removable polycarbonate moulded diffuser, creating both a soft directional downlight effect as well as the form of the lamp itself. The Table Lamps are available in different sizes and a variety of variety of colours, and are suitable for both contract and domestic markets.

## TECHNICAL DATA

---

This product is fitted with an E27 bulb fitting. HAY recommends using this product with a dimmable LED bulb, max. 13W. HAY will not accept any responsibility for

any accidents or injuries that occur due to the use of incorrect bulbs.

## ATTENTION

---

In some countries, electrical installation must be carried out by authorised electricians/contractors; please check with your local authority for guidance. The product must

not be modified in any way. HAY accepts no responsibility for any products that have been modified or tampered with. This lamp is designed for indoor use only.

## CARE AND MAINTENANCE

---

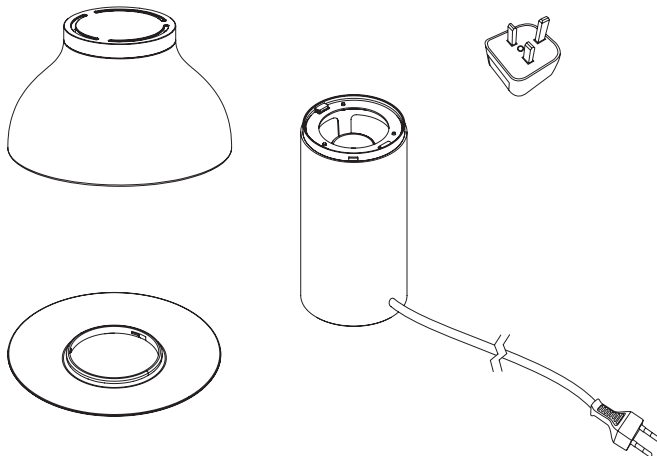
The product can be cleaned with a soft damp cloth and mild detergent. Do not use alcohol or any other solvents to clean the product. The external flexible cable or cord of this luminaire cannot be replaced; if the cord is

damaged, the luminaire should be destroyed. Ensure that the power supply has been turned OFF before cleaning the product.



## PARTS

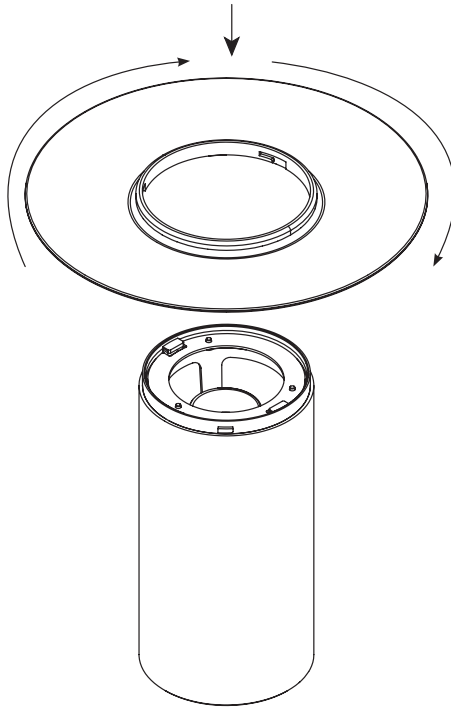
---



1.

Unpack all the components and check that you have received all of the components listed above.

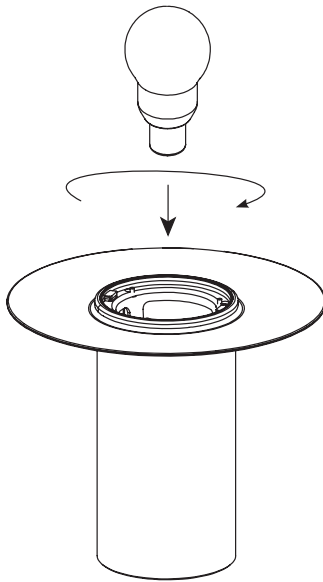
Hold the flat diffuser with both hands and twist into place, ensuring it is securely fitted to the lamp body.



2.

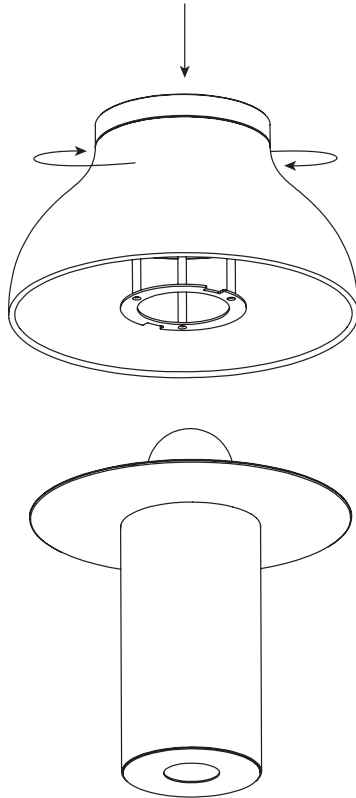
Ensure that the power is off and the lamp is not plugged in.

Screw an E27 bulb into the bulb fitting. It is advised that a dimmable LED bulb, no more than 13W is used in this lamp.



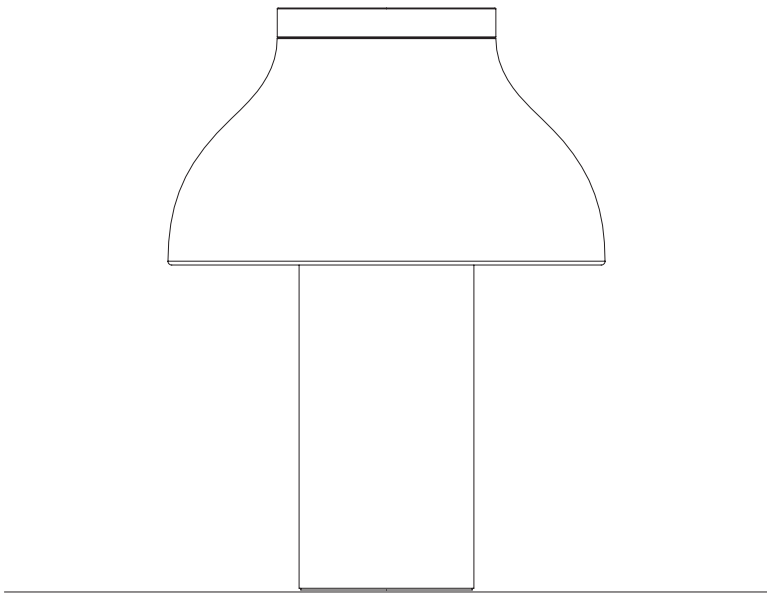
3.

Once the bulb is in place, place the lampshade onto the lamp base, aligning the grooves in the metal ring in the shade with the bayonet fitting on the lamp base. Turn clockwise and tighten securely.



4.

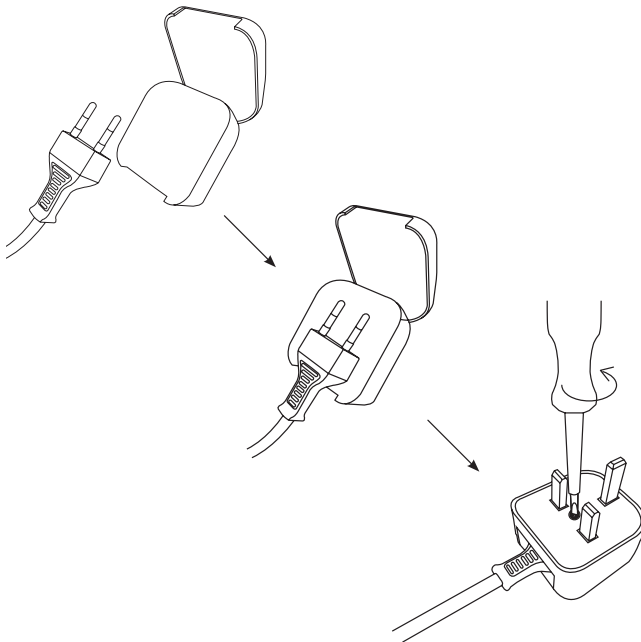
Place the lamp onto a flat, stable surface.





5.

For UK customers, insert the EU plug into the converter provided.  
Close the converter over the EU plug with the pins secured in the  
internal spring clip contacts. Screw the converter together to ensure  
the UK plug is secure.



6.

Connect the cable to a power supply. The lamp is now ready to be used. The lamp has a two-step dimmable feature, which can be controlled by touching the lamp base. First touch sets it to low brightness and second touch sets it to maximum brightness. Third touch will turn the lamp off again.





Havnen 1 8700 Horsens Denmark  
+45 4282 0282 / hay@hay.dk

**HAY**