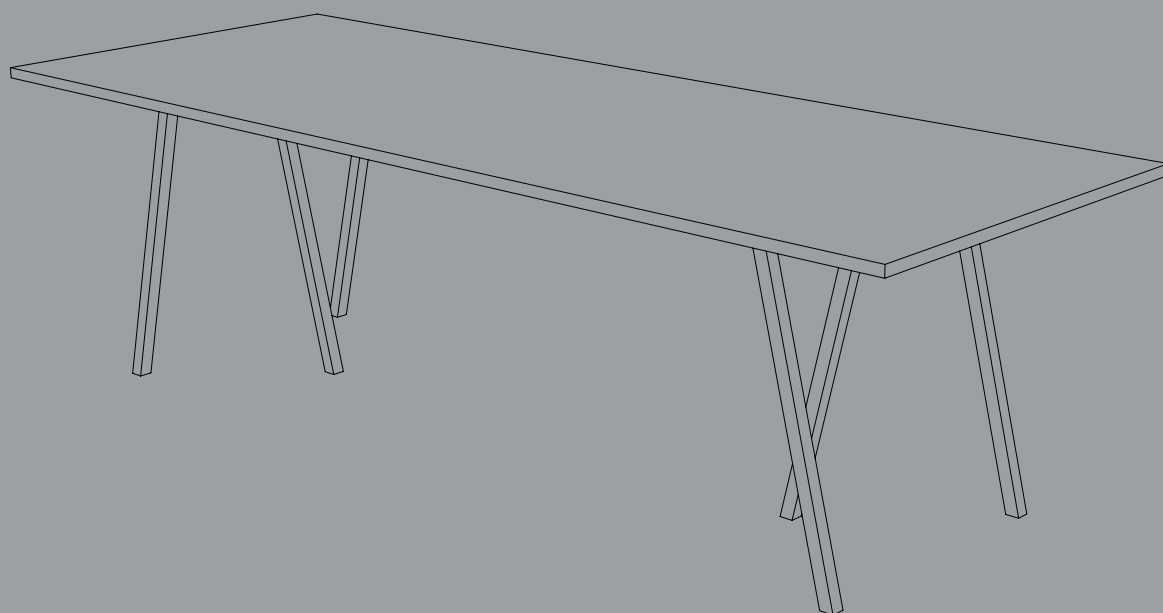


INSTRUCTION MANUAL

LOOP STAND TABLE



By Leif Jørgensen

HAY

INTRODUCTION

Loop Stand is Leif Jørgensen's well-designed and ultra-functional, no-nonsense series of coat stands, wardrobe furniture and tables, all with a consistent family identity.

Loop Stand Table shares the same clean visual expression as the wardrobe stand, where the characteristic three-legged trestles are attached to the tabletop with screws.

The Loop Stand Table is available in several variants and heights to suit a wide range of dining rooms and offices in corporate and private settings.

CARE AND MAINTENANCE

CAUTION

With a little care you can prolong the life of your furniture. Follow the instructions for the materials of your specific product to make sure that it stays in the best shape for as long as possible.

The information below is only intended as a general guideline. For more information on how to remove specific stains, please enquire where you bought the furniture.

- Always remove stains quickly before they can do any permanent damage to the furniture.
- Avoid placing the furniture in direct sunlight or near a strong heat source to reduce changes. As linoleum is a natural material, it will change in colour and will patinate over time.
- When you move your furniture, make sure you lift it rather than pulling or pushing it to avoid damaging the floor, legs and mountings.

- Tighten up the screws after one to two months' use and whenever required.
- Avoid improper use such as putting your feet on the table or standing on it.
- Use coasters under damp, hot or coloured objects to avoid permanent stains.
- Avoid partially covering the surface, for example with tablecloths or place mats, as colour variances may appear.
- Be careful not to scratch or damage the surface with sharp objects.

CARE AND MAINTENANCE

LINOLEUM

- Wipe with a clean cloth wrung in water or in a solution of water and a neutral detergent or soap flakes. Remove soap residue immediately using a clean, dry cloth.
- If the surface is scratched or appears matt, use a care product especially suited to linoleum.
- Stains may be carefully removed using white spirit (mineral spirit) or a damp nano sponge dipped in lukewarm water or linoleum care product. Follow up immediately with a clean, dry cloth. Never use the nano sponge dry.
- Avoid alkaline detergents such as soft (yellow) soap, washing soda, lye and scouring powder.

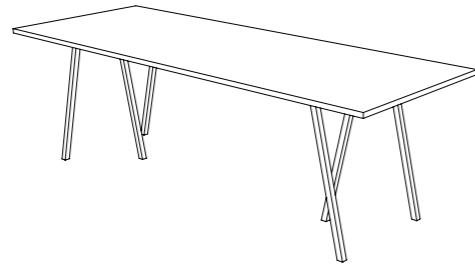
LAMINATE

- Wipe with a clean cloth wrung in water or in a solution of water and a neutral detergent. Remove soap residue immediately using a clean, dry cloth.
- Stains may be carefully removed using household ammonia or with a clean, damp cloth or a nano sponge wrung in warm water. Never use the nano sponge dry. Follow up immediately with a clean, dry cloth.
- Avoid using scouring cream or scouring pads, as they may scratch the surface.

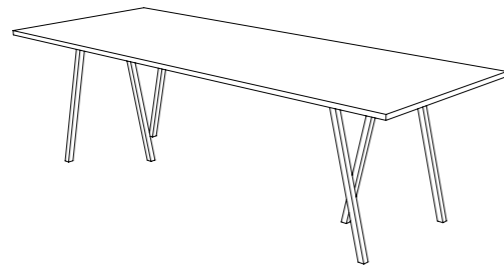
POWDER COATED STEEL

- Wipe with a clean cloth wrung in water or in a solution of water and a neutral detergent. Remove soap residue immediately using a clean, dry cloth.
- Avoid using scouring cream or scouring pads, as they may scratch the surface.

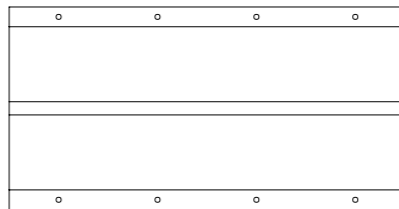
CONTENTS



PAGE 8 - 11
L160/180/200 cm



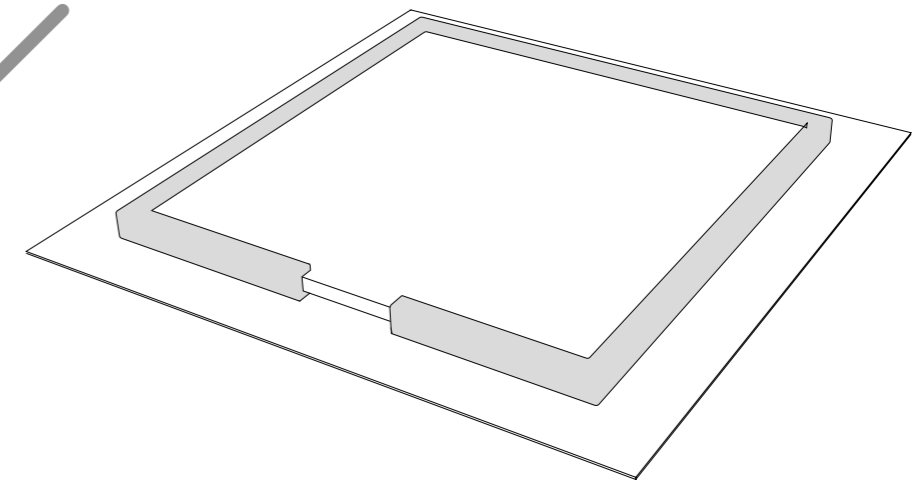
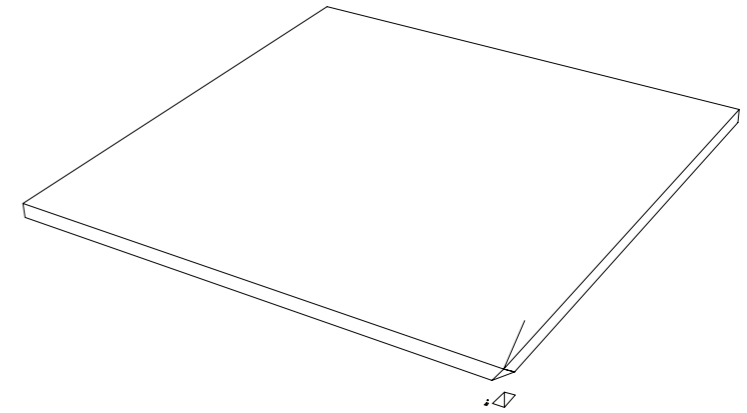
PAGE 12 - 17
L250 cm - Crossbar extension



PAGE 18 - 21
Loop Stand Support

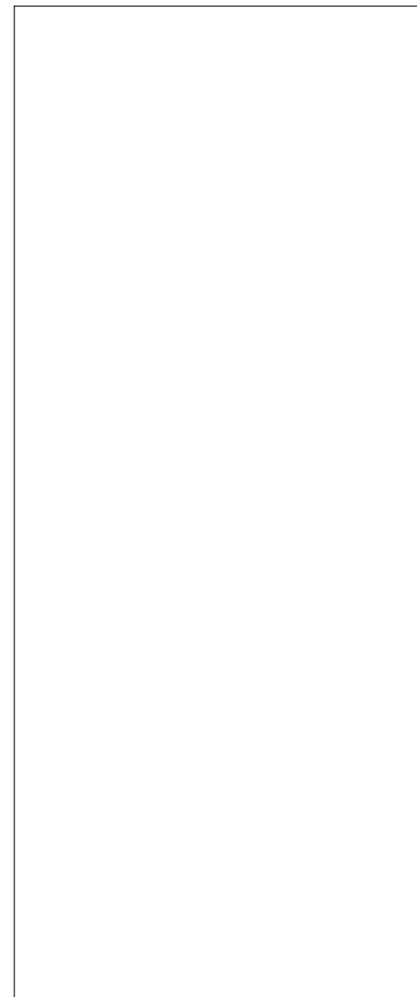
CAUTION

While assembling, keep the tabletop inside the cardboard box with foam edge in order to protect the tabletop from scratches etc. Make sure that all parts are included.

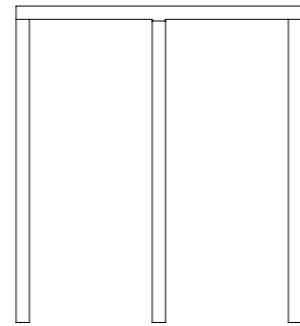


PARTS

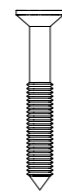
L160/180/200 cm



A x 1

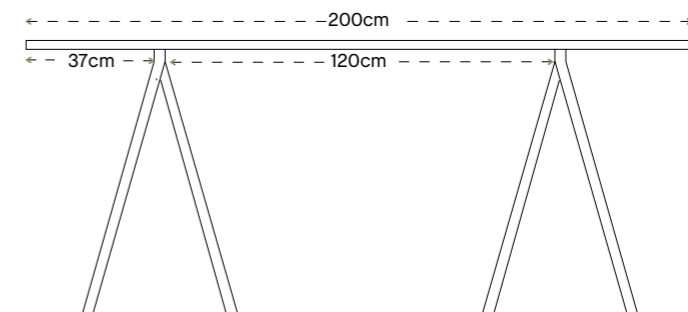
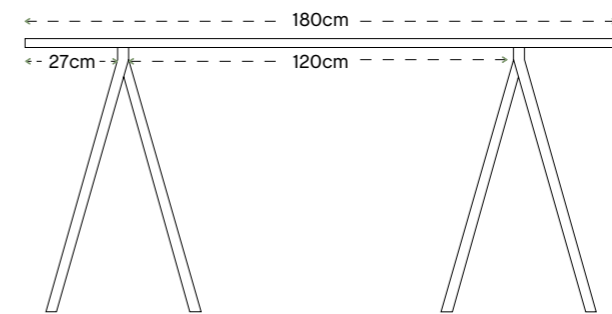
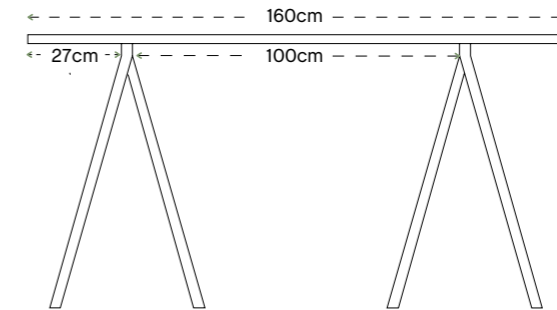


B x 2



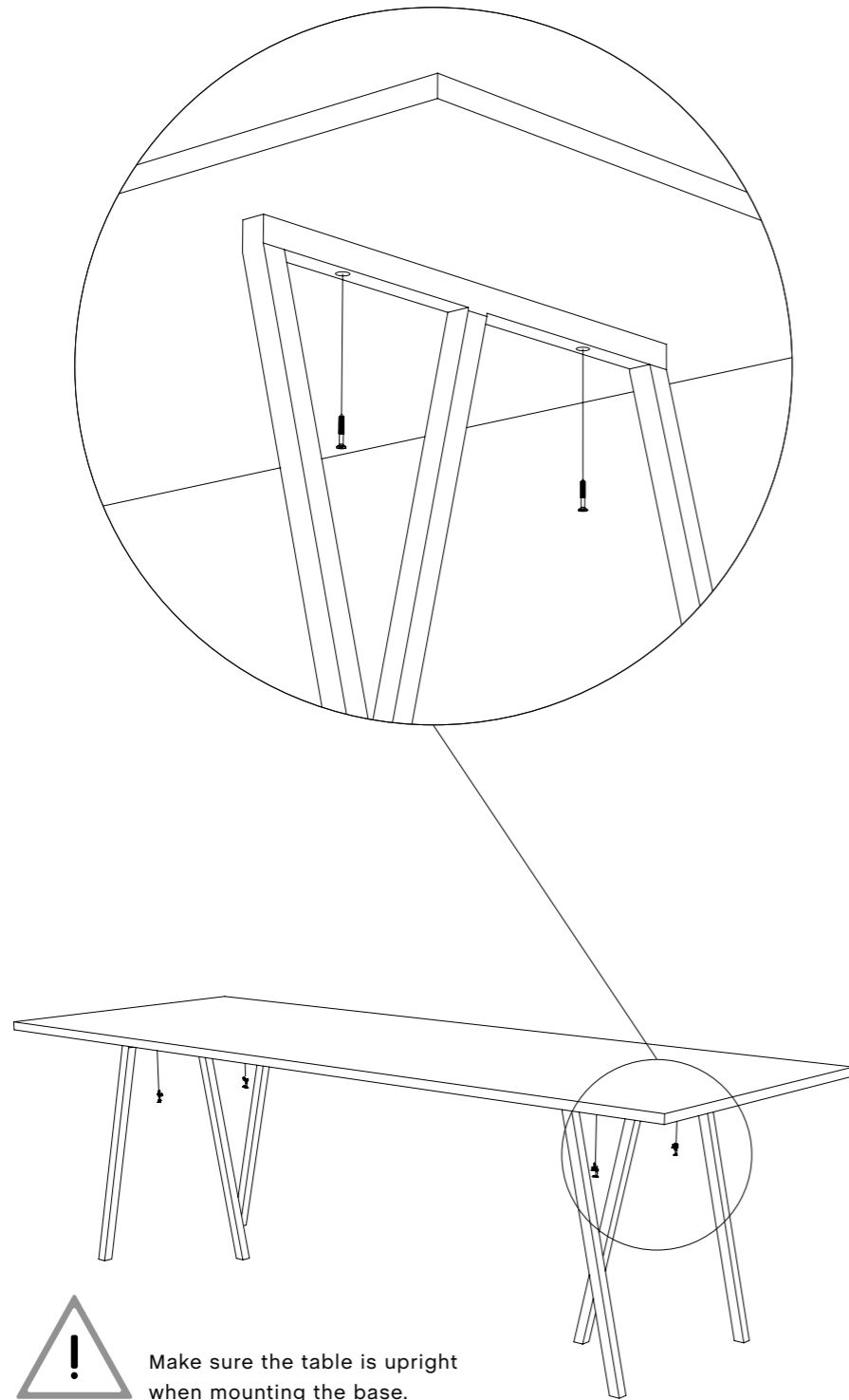
C x 4

RECOMMENDED TRESTLE PLACEMENT



2.

Place the tabletop on the trestles according to the recommended trestle placement. Insert the C parts, screwing them through the trestles and into the tabletop.

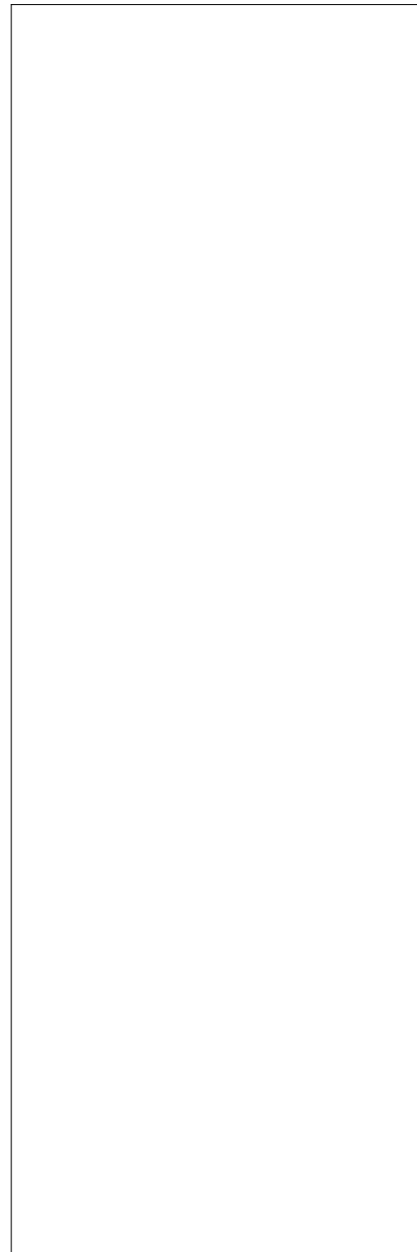


3.

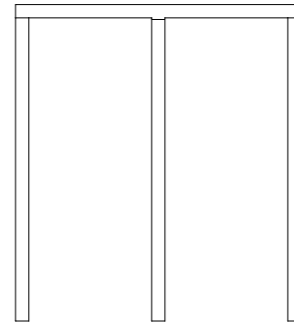


PARTS

L250 cm



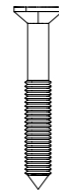
A x 1



C x 2

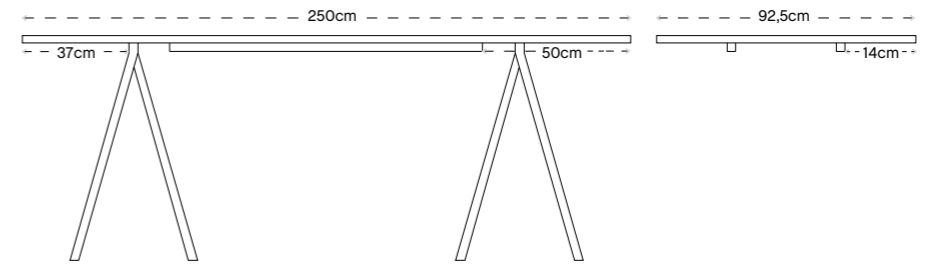


B x 2



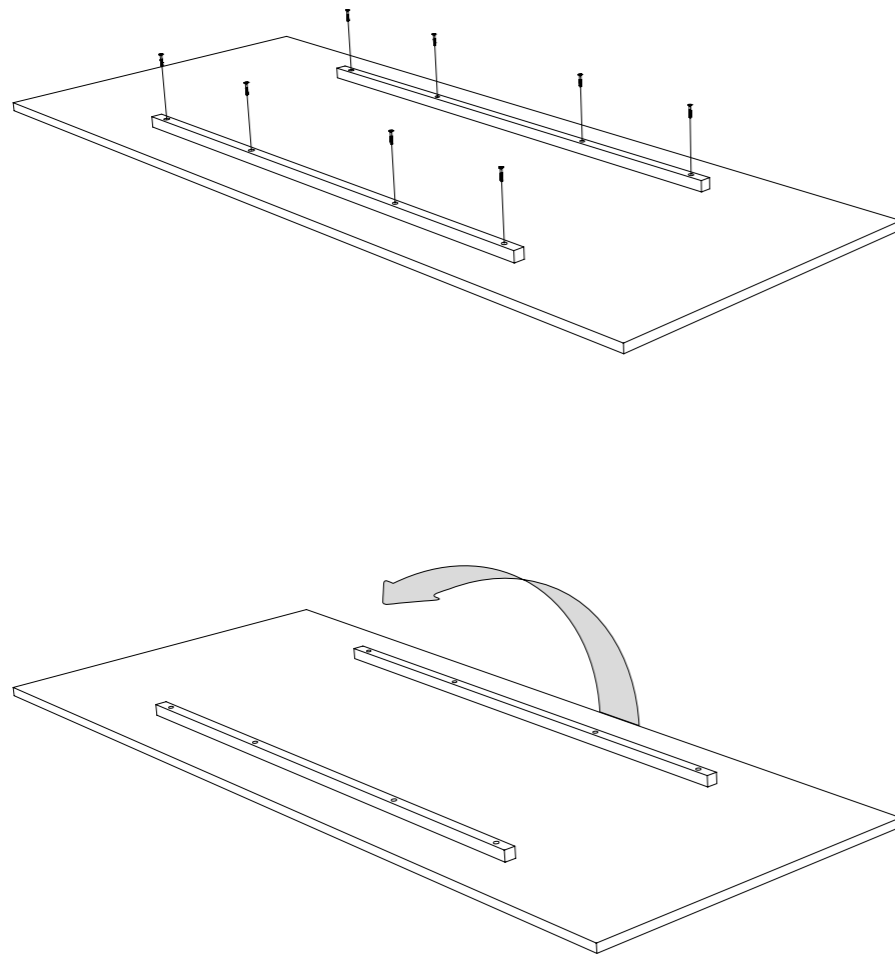
D x 12

RECOMMENDED TRESTLE PLACEMENT



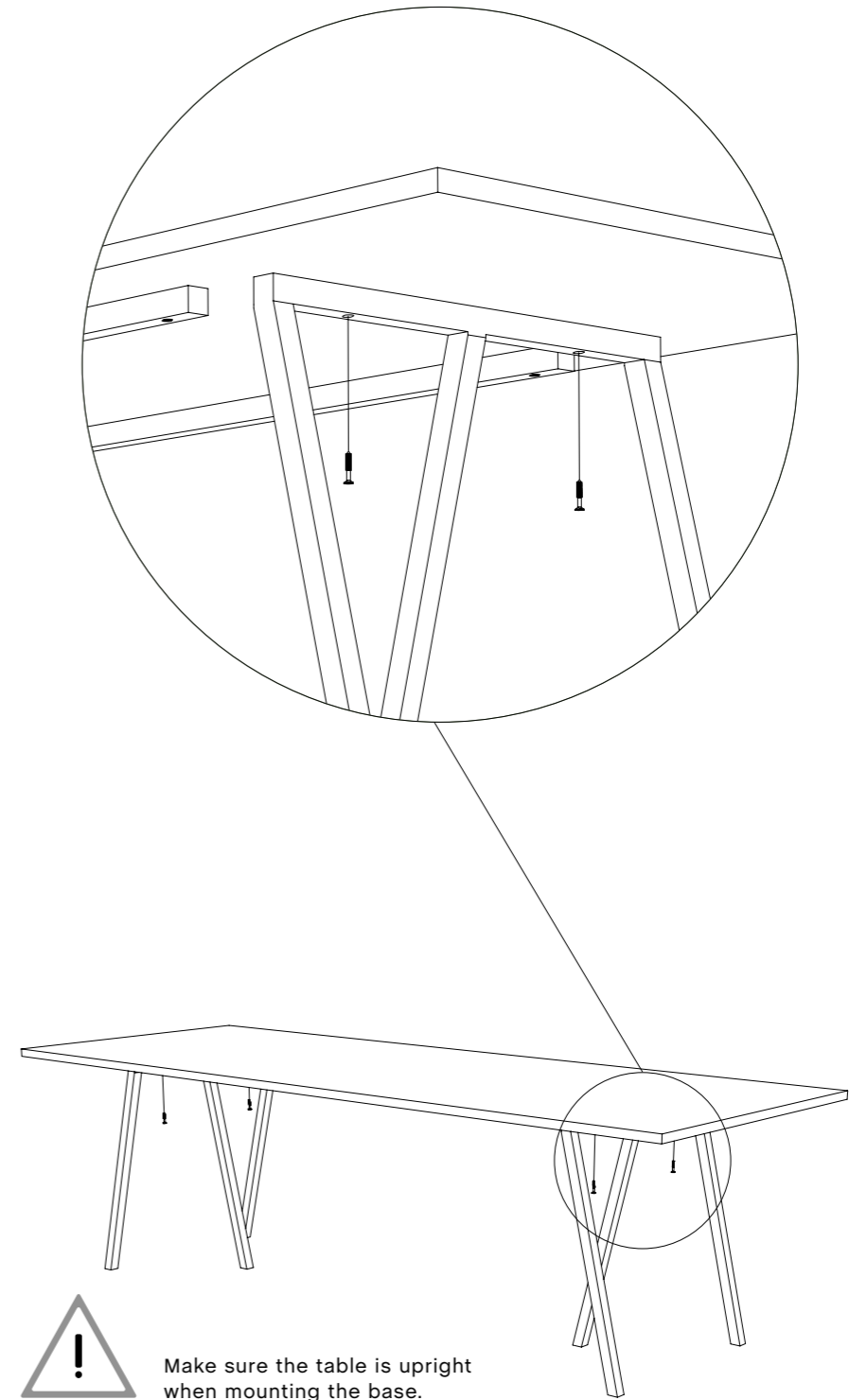
2.

Screw the 2 x B parts to the tabletop using the D parts.
Turn the tabletop over (2 persons recommended).

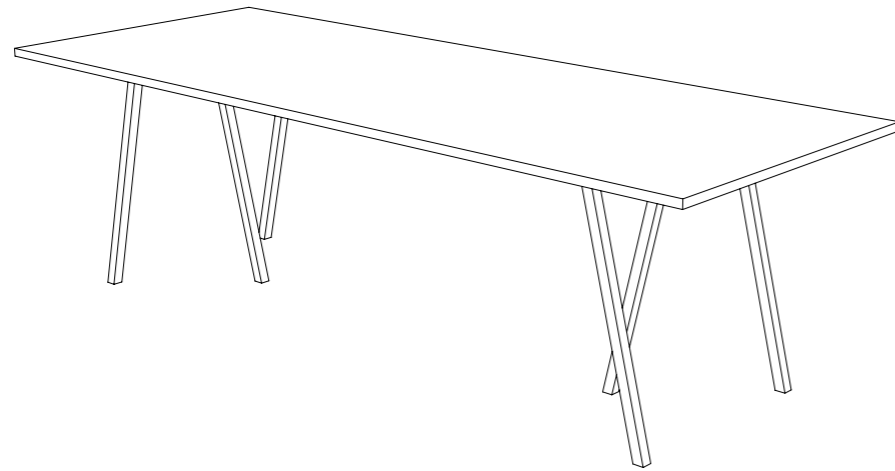


3.

Place the tabletop on the trestles according to the recommended trestle placement.
Insert the D parts, screwing them through the trestles and into the tabletop.



4.



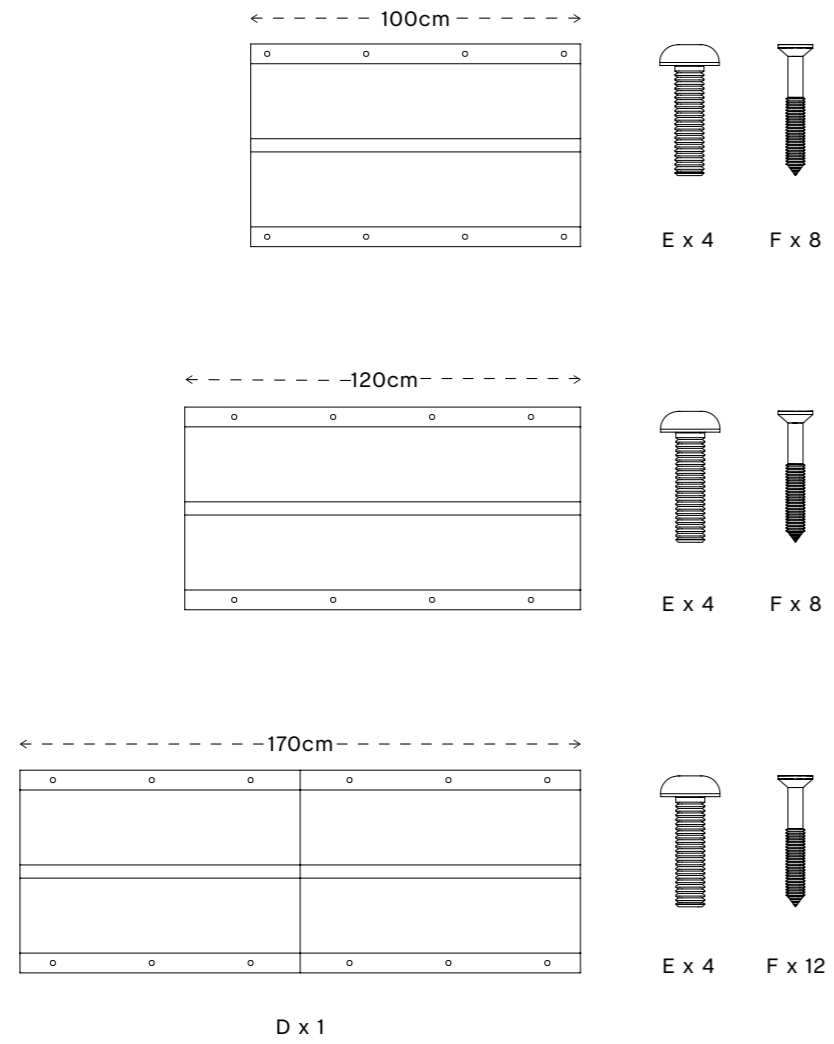
CAUTION

When you move your furniture, make sure you lift it rather than pulling or pushing it.
If the table is unbalanced, please spread the trestle legs in order to align the legs.



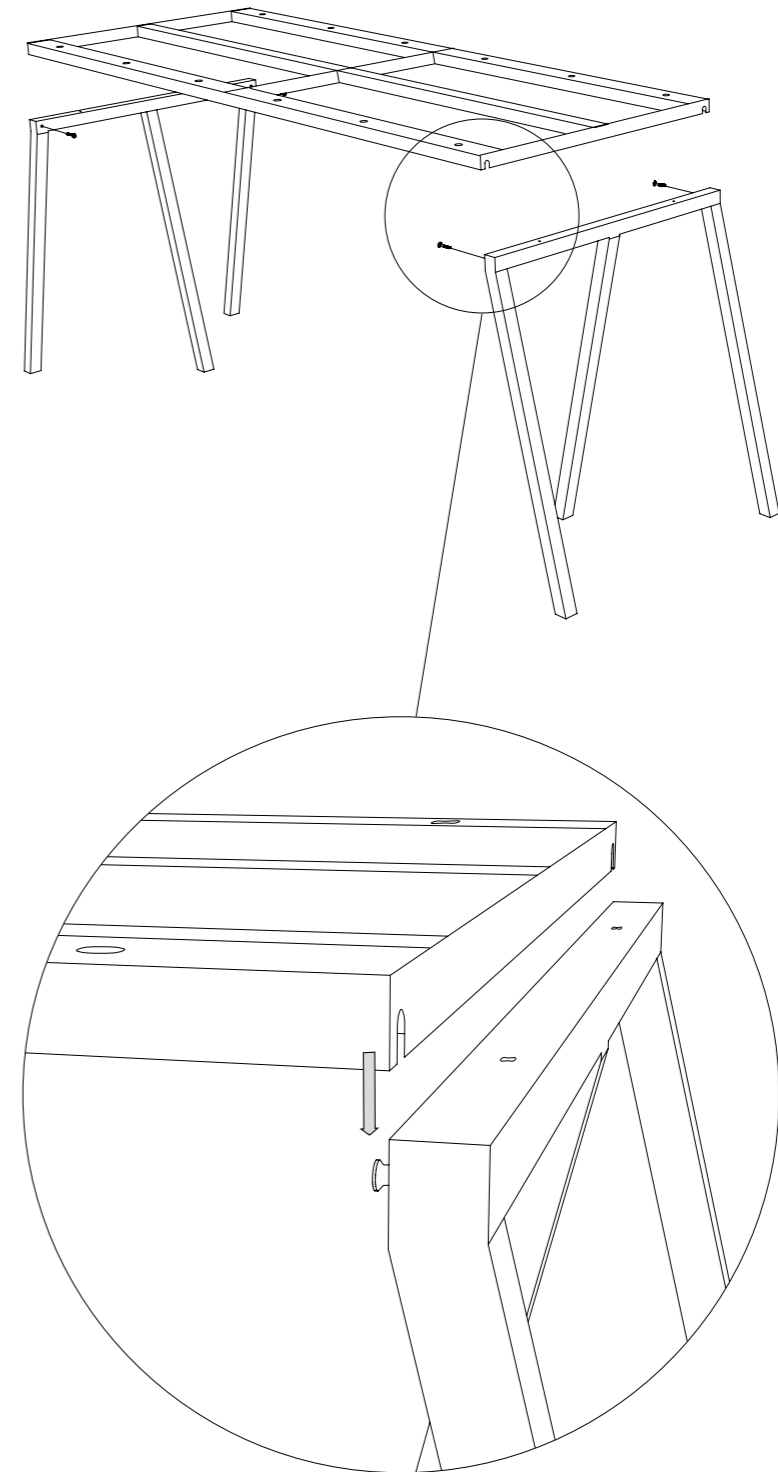
Spread the trestles in order to align the legs.

LOOP STAND SUPPORT, OPTIONAL



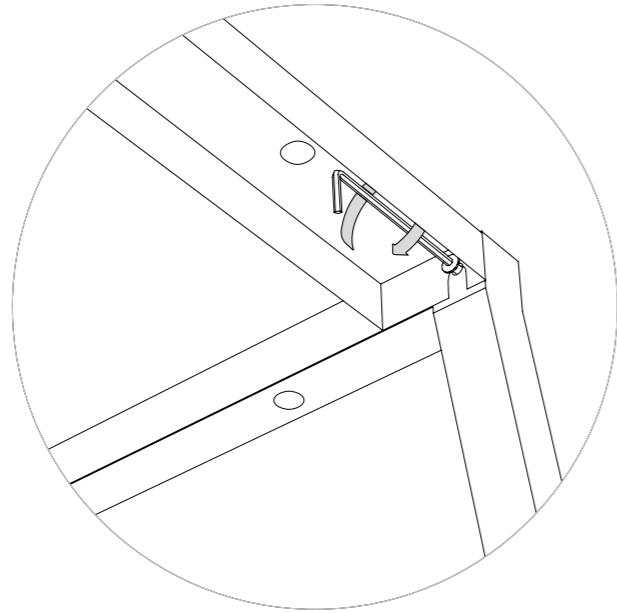
1.

Place the trestles standing upright, and slide in the support (D) using the E parts.
Do not tighten the E parts completely in order to slide in the support (D).

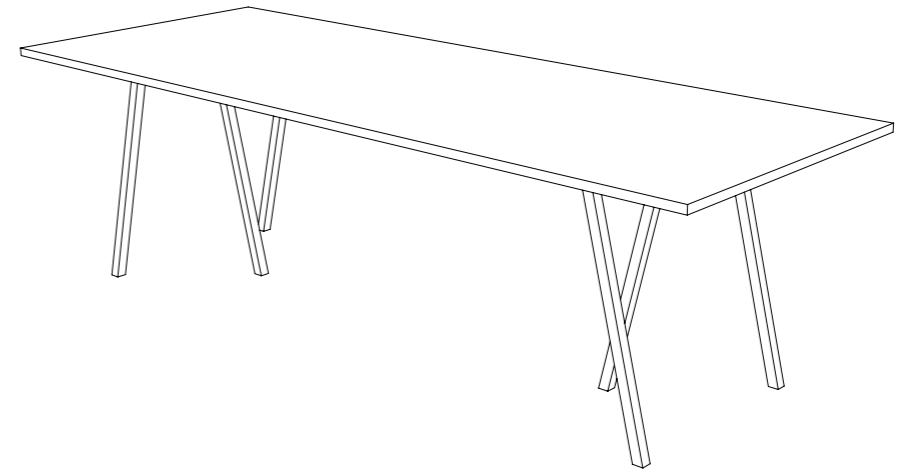


2.

Tighten the E part to secure the support (D) to the trestle.

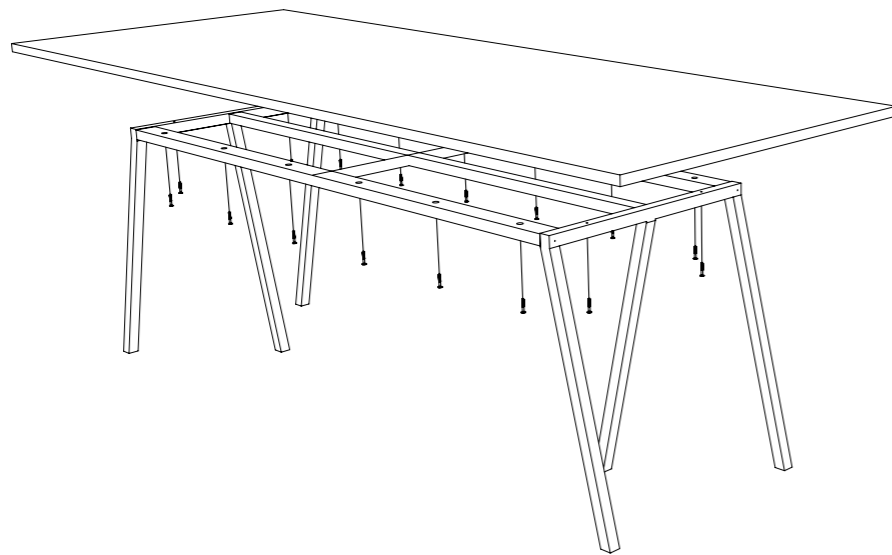


3.



3.

Screw the support (D) into the tabletop (A) using the F parts.





Havnen 1 8700 Horsens Denmark
+45 4282 0282 / hay@hay.dk

HAY

ITEM NO. 706353



5 710441 245858