



PRODUCT SHEET

Eave Dining Sofa
by Norm Architects

Eave Dining Sofa

BY NORM ARCHITECTS

Banquette-style sofa foam-padded modules in fabric upholstery and set on black powder coated steel legs. As no two spaces are the same, we also offer bespoke solutions that accommodate individual requirements for length.

SPEC OPTIONS

Available in fabrics from our upholstery programme. Standard lead times apply. Custom upholstery available upon request. For further information please refer to MENU Upholstery Programme.



PRODUCT OPTIONS

80



165



200



280



CORNER



Eave Dining Sofa, Black Steel / Moss 022, by Norm Architects
Eave Dining Sofa, Black Steel / Hot Madison Reloaded CH1249/233, by Norm Architects

Eave Dining Sofa

BY NORM ARCHITECTS

TECHNICAL SPECIFICATIONS

PRODUCT TYPE
Sofa

ENVIRONMENT
Indoor

DIMENSIONS

80
H: 79 cm / 31,1"
SH: 48 cm / 18,9"
W: 80 cm / 31,5"
D: 75 cm / 29,5"

165
H: 79 cm / 31,1"
SH: 48 cm / 18,9"
W: 165 cm / 65"
D: 75 cm / 29,5"

200
H: 79 cm / 31,1"
SH: 48 cm / 18,9"
W: 200 cm / 78,7"
D: 75 cm / 29,5"

280
H: 79 cm / 31,1"
SH: 48 cm / 18,9"
W: 280 cm / 110,2"
D: 75 cm / 29,5"

CORNER
H: 79 cm / 31,1"
SH: 48 cm / 18,9"
W: 75 cm / 29,5"
D: 75 cm / 29,5"

PRODUCTION PROCESS

Modules are constructed with a frame made from pine, plywood and MDF. Seat, backrest and armrests consist of a double layer of foam and no-sag springs. Legs are made from powder coated steel rod, welded on a mounting bracket in steel.

COLOUR

Legs
Black (RAL 9005)

Seat
Dependent upon selected upholstery

MATERIALS

Seat
Pine, plywood, MDF, steel (spring), HR Foam and upholstery

Legs
Steel

WEIGHT

80: 32 kg / 70,5 lb
165: 41 kg / 90,4 lb
200: 49 kg / 108 lb
280: 67 kg / 147,7 lb
Corner: 30 kg / 66,1 lb

Item weight depends on modules selected.

TEST
N / A

CERTIFICATIONS
TSCA title VI compliant

PACKAGING TYPE
Brown box

PACKAGING MEASUREMENTS (H x W x D)

80
62 cm x 78 cm x 83 cm / 24,4" x 30,7" x 32,7"

165
78 cm x 168 cm x 62 cm / 30,7" x 66,1" x 24,4"

200
78 cm x 203 cm x 62 cm / 30,7" x 79,9" x 24,4"

280
78 cm x 283 cm x 62 cm / 30,7" x 111,4" x 24,4"

CORNER
63 cm x 78 cm x 78 cm / 24,4" x 30,7" x 30,7"

Packaging measurements depend on modules selected.

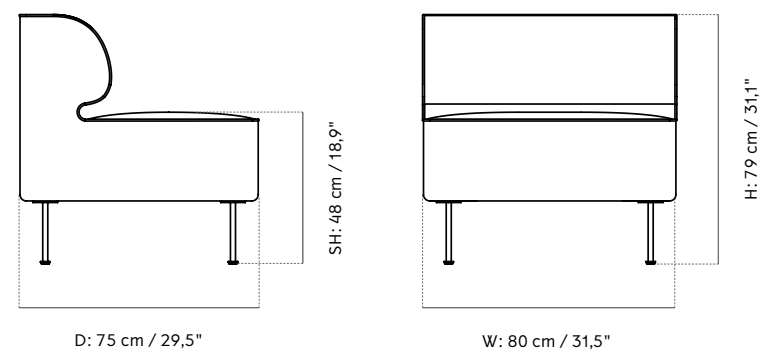
MATERIALS & MAINTENANCE
Please visit [menuspace.com](https://www.menuspace.com) for materials and care and maintenance instructions.

Eave Dining Sofa

BY NORM ARCHITECTS

TECHNICAL DRAWING

EAVE DINING SOFA, 80

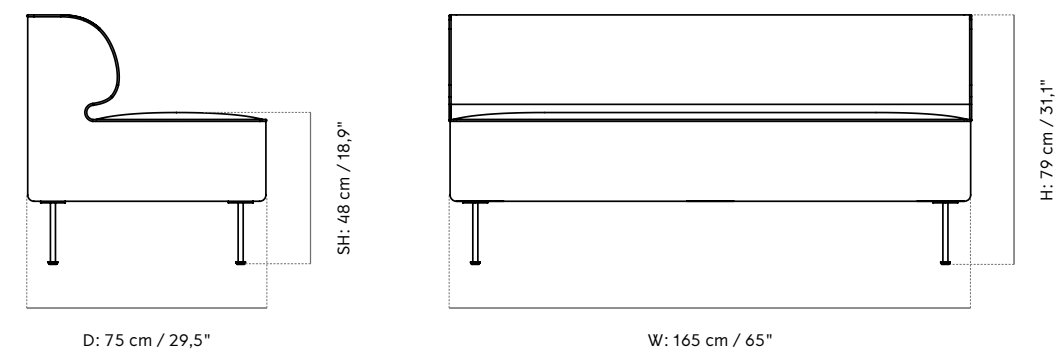


Eave Dining Sofa

BY NORM ARCHITECTS

TECHNICAL DRAWING

EAVE DINING SOFA, 165

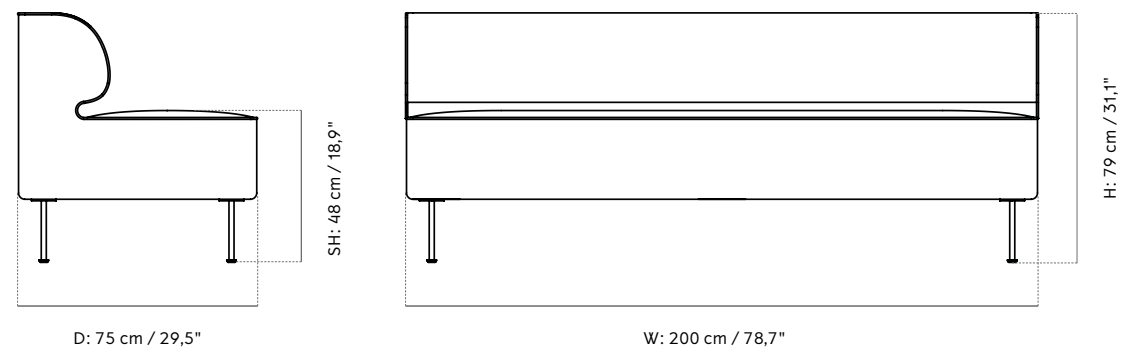


Eave Dining Sofa

BY NORM ARCHITECTS

TECHNICAL DRAWING

EAVE DINING SOFA, 200

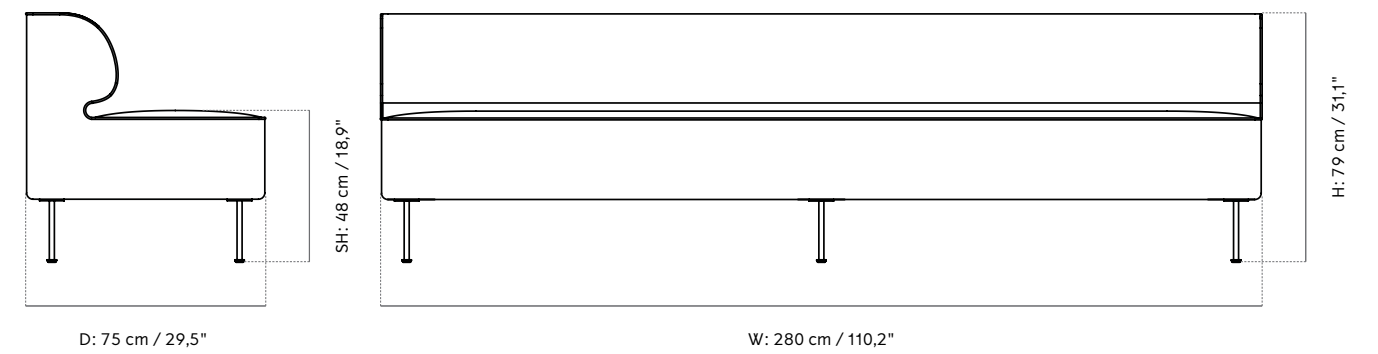


Eave Dining Sofa

BY NORM ARCHITECTS

TECHNICAL DRAWING

EAVE DINING SOFA, 280

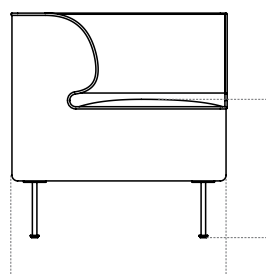
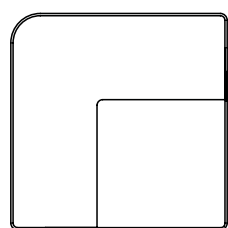


Eave Dining Sofa

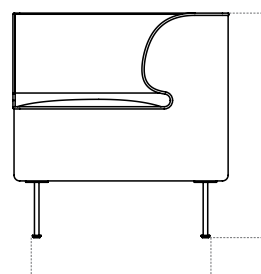
BY NORM ARCHITECTS

TECHNICAL DRAWING

EAVE DINING SOFA, CORNER



D: 75 cm / 29,5"



W: 75 cm / 29,5"