

DE. Sollte das äußere Kabel oder die innere Leitung dieser Lupe beschädigt sein, darf es ausschließlich nur vom Hersteller, seinen Wartungstechnikern oder von qualifiziertem Personal ausgetauscht werden, um jegliche Risiken zu vermeiden.

EN. If the external flexible cable or cord of this luminaire is damaged, it shall be exclusively replaced by the manufacturer or his service agent or a similar qualified person in order to avoid a hazard.

ES. Si el cable exterior flexible o el cordón de este alumbrado se dañan, debe ser sustituido exclusivamente por el fabricante o su servicio de mantenimiento o toda persona de calificación equivalente, esto con el fin de evitar todo riesgo.

FR. Si le câble extérieur souple ou le cordon de ce luminaire est endommagé, il doit être remplacé exclusivement par le fabricant, son service de maintenance ou toute personne de qualification équivalente, ceci afin d'éviter tout risque.

IT. Se il cavo esteriore svelto o il cablaggio di questa lampada é danneggiato, deve essere cambiato esclusivamente per el fabbricante o el suo servizio di manutenzione o tutte persone di qualificazione equivalente, questo in modo di evitare ogni rischio.

Wästberg is a Swedish lighting company aimed at bringing back light to human proximity, by restoring the private spheres man has been deprived of during decades of misguided pursuit of efficiency and standardisation. The universally acclaimed lamps are created in close collaboration with some of the world's most renowned architects, designers and lighting experts, and have earned prestigious awards for their combination of aesthetics, cutting-edge technology and resource conservation.

wästberg

Wästberg
Box 22266
250 24 Helsingborg
Sweden

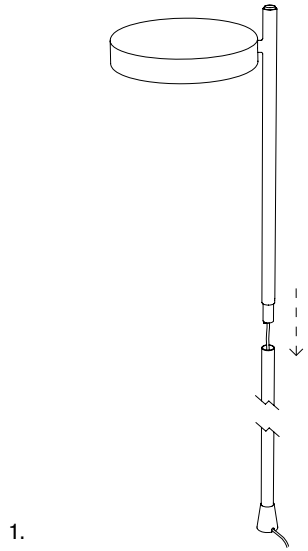
P +46 42 284 440
info@wastberg.com
wastberg.com

w182 pastille f

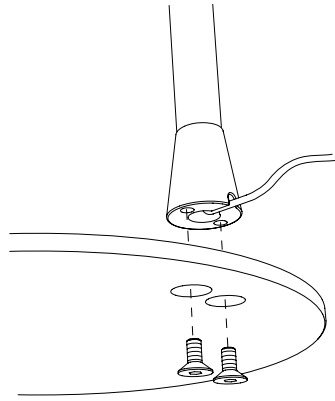
Instructions.

wästberg

w182 pastille f



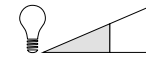
1.



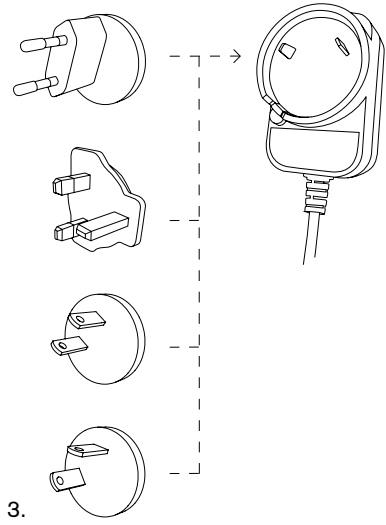
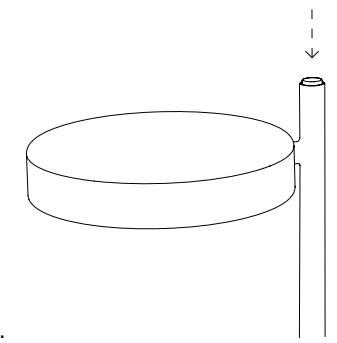
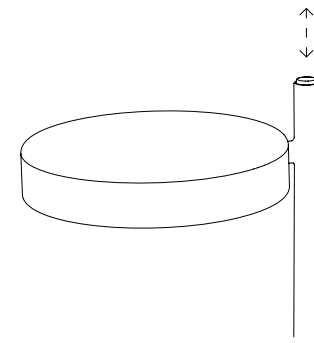
2.



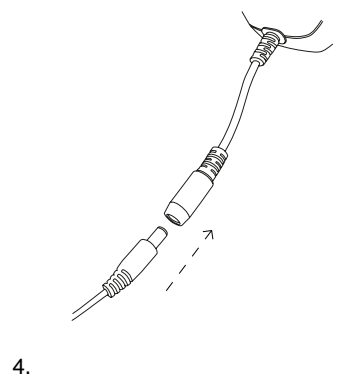
5.



6.



3.



4.