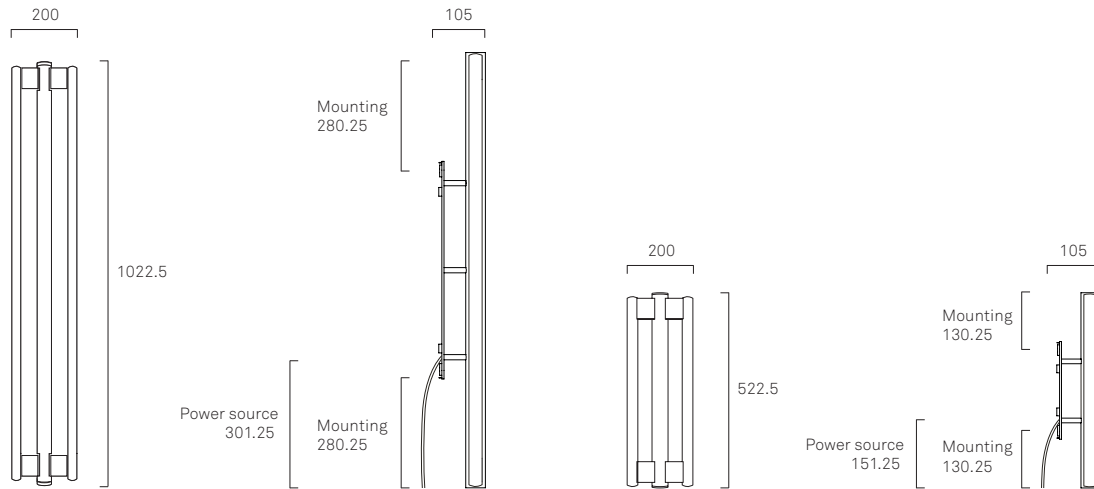


# EIFFEL WALL LAMP



## Eiffel Lamp Specifications

Design	Krøyer-Sætter-Lassen
Year	2015
Typology	Wall Lamp
Collection	Permanent Lighting
Origin	PRC
Material	Gun Blued Steel
Cord	2500 mm black silicon cord
Certifications	CE-certified
Installation	Two point mounting. Separate LED Bulbs
Socket	S14
Connection	Four S14 sockets for two bulbs 2500 mm black silicon cord with EU plug. Phase through wiring possible
Dimming	Custom integrated dimmer located at base of lamp (CE-certified)

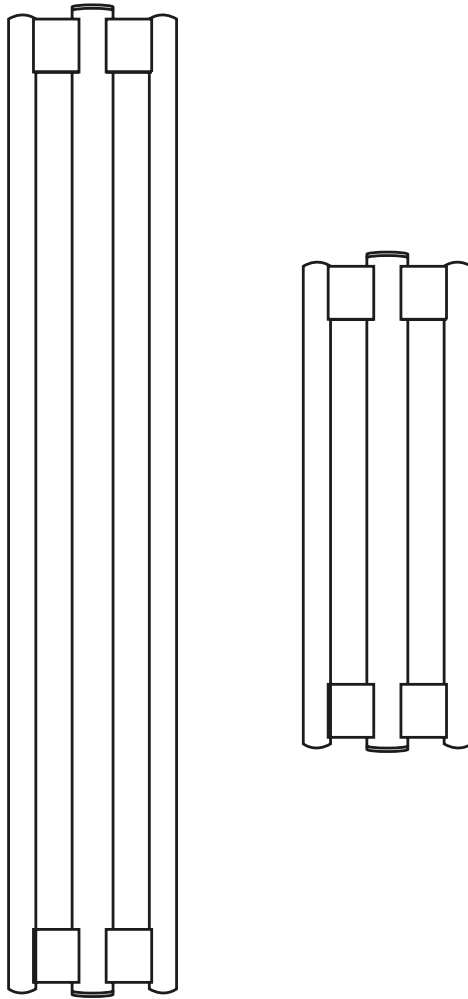
## Bulb Specifications

Producer	Osram
Origin	Germany
Material	Opal Glass
Watt 1000mm.	16.5 W LED
Watt 500mm.	9 W LED
Lumen 1000 mm.	990 lm
Lumen 500 mm.	450 lm
Color temperature	2700K
Ra	>80
Base Socket	S14
Lifeshours	20 000
Lifecycles	50 000
Warm-up time (60%)	0.00s
Light control	Dimmable
Energy class	A
Energy Consumption	9 kWh/1000h
Certifications	CE-certified
Overall length	1000/500 mm
Diameter	29 mm

Product	Item No.	EAN code
Eiffel Wall Steel 1000	FR-2101	5712828112104
Eiffel Wall Steel 500	FR-2104	5712828652105

# EIFFEL WALL

Designed by Krøyer Sætter Lassen



# FRAMA

# EIFFEL ASSEMBLY GUIDE

## CONTENTS:

In this box you will find:

- 1 wall mounted Eiffel frame with plated brass end details, black silicon wire, eu plug
- 2 steel screws , Allen key
- drill
- additional anchors depending on wall/ceiling material

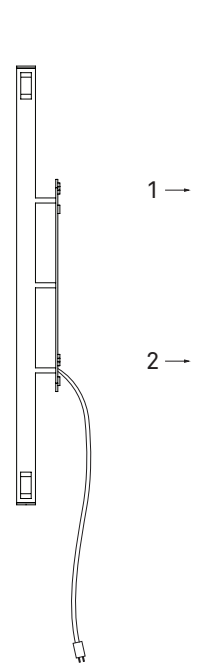
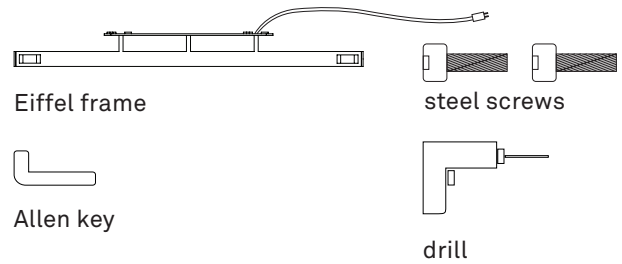
## ASSEMBLY:

Start by unpacking the Eiffel frame, and the mounting screws and Allen key located separately in a small plastic bag. After locating and marking the desired wall placement for the two mounting holes, pre-drill a hole (and additional wall anchors if necessary for wall type).

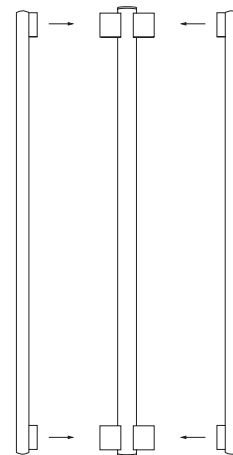
Secondly, locate fastening holes on the back of the Eiffel lamp and start by screwing the top hole of the Eiffel into the wall. While holding the Eiffel securely, straighten the Eiffel fixture and screw in the bottom hole of the back plate, tightening the top and bottom holes with the Allen key until the piece is fastened tight to the wall.

Mount the 1000 mm. S14 tube bulb within both bottom sockets from a 90° angle. Never attempt to mount one socket at a time. This may result in high risk of the bulb shattering.

After all parts are securely mounted, plug the Eiffel lamp in. Should you like to dim the light, simply turn the brass knob located at the base of the Eiffel to achieve the desired light level.



first screw the top hole, than continue with the bottom hole



insert each bulb parallel (90°) to the Eiffel frame

# EIFFEL MAINTENANCE GUIDE

## WAXING UNTREATED METAL:

Should you want to add an additional protective layer to Eiffel, follow the below instructions on waxing metal. Note this should not be applied to brass ends of the product. Take care when applying wax to avoid the inner socket areas.

Since wax is only a coating and doesn't actually bind with metals, it must be periodically reapplied. As long as the piece is indoors, the wax will typically last at least a few years.

1. Use mineral spirits to clean the steel before application.
2. Using warm, clear wax, rub a thin layer over the metal with a soft cloth.
3. Using a clean cloth, buff out all of this dull wax with circular motions.
4. When the wax has been sufficiently buffed, the dullness will be gone, replaced with a slight shine. The finished wax should feel smooth and slippery to the touch.

## CORDS:

Avoid contact with liquid and cleaning soap. Use a brush or cloth to remove dirt from the cord.

Avoid direct sunlight and sharp items.

Do not cut the cords by yourself, let a licensed electrician perform length adjustments.

**Eiffel Wall 1000**

Dimensions : H1000 W131 D70

**Eiffel Wall 500**

Dimensions : H500 W131 D70

Materials : Black steel frame, plated brass end details, 16.5 W  
led tube bulb, black silicon wire, eu plug

CE Designed in Denmark | Produced in PRC

Eiffel Wall 1000  
Item No. 2101



Eiffel Wall 500  
Item No. 2104



# FRAMA

Org. St. Pauls Apotek - Fredericiagade 57 - Copenhagen - Denmark