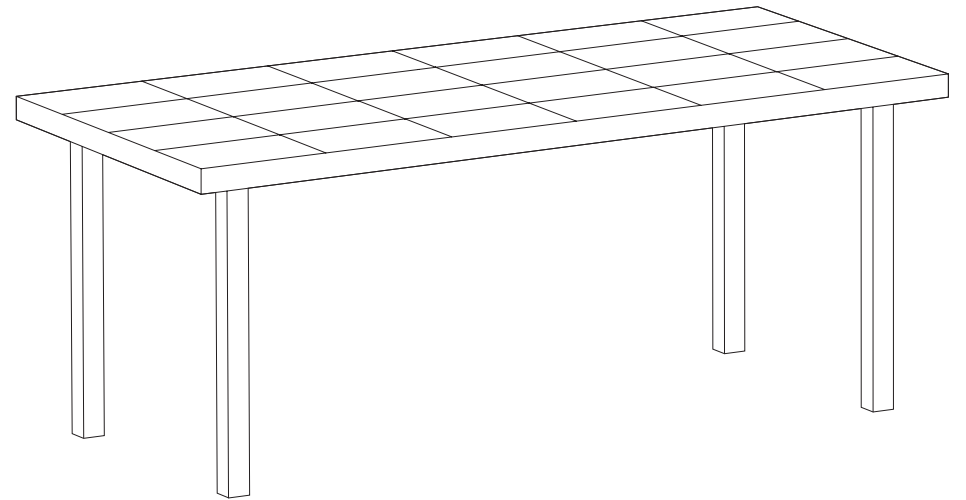


FLOD DINING TABLE

ASSEMBLY MANUAL

fermliving.com



ferm
L I V I N G

NEEDED FOR ASSEMBLING



Two people



1 x Fork Wrench



8 x M8x95 Bolts



2 x M8x70 Bolts



20 x D19x2 Discs



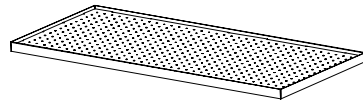
10 x M8 Nuts



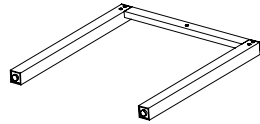
10 x D8x1,5 Discs



1 x 6mm Allen Key



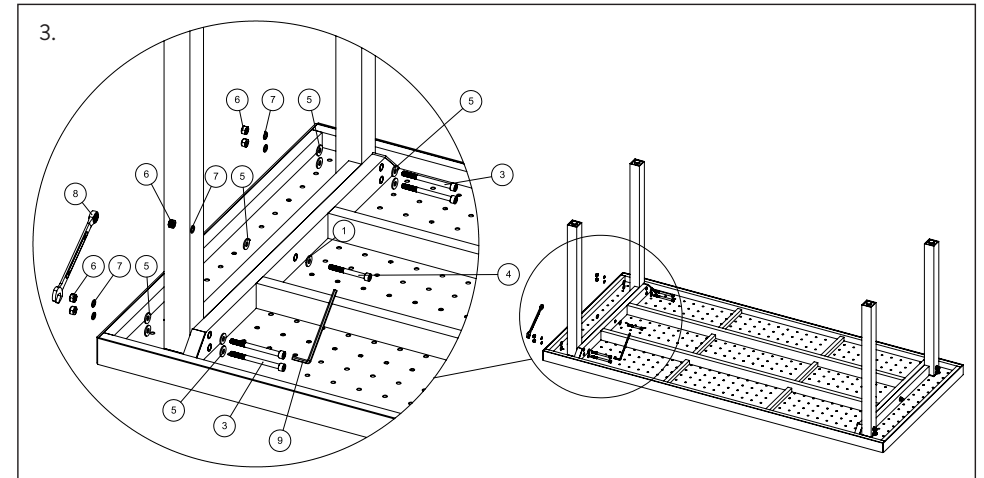
1 x Table Top



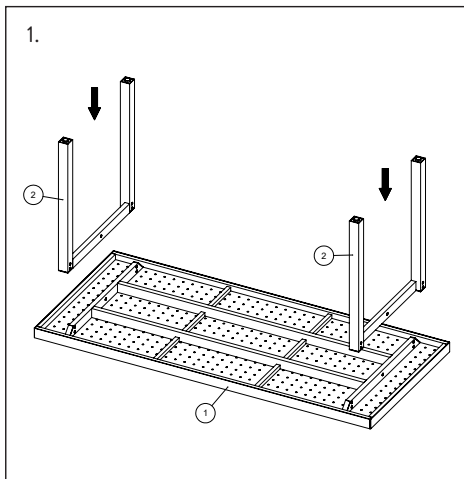
2 x Legs



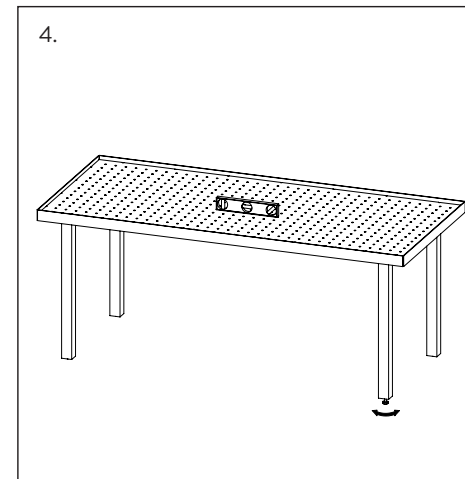
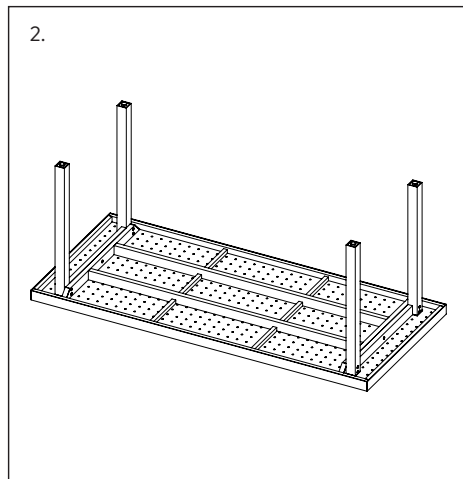
24 x Tiles



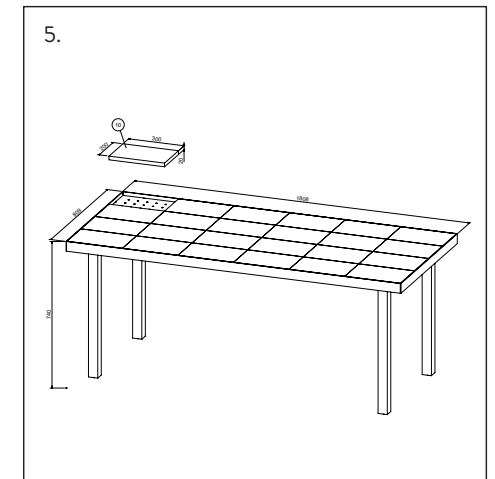
3. Attach all bolts, nuts and discs loosely. Once they are in place, tighten.



1. Place the table top upside down and put the legs in place.



4. Check that the table is level. Adjust feet if necessary.



5. Lay tiles in the indicated position.