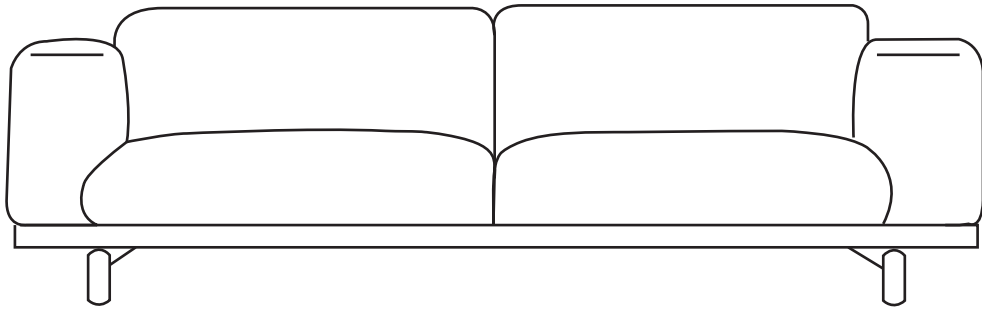
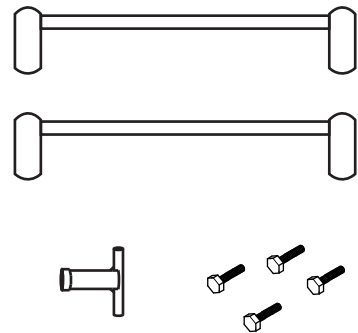
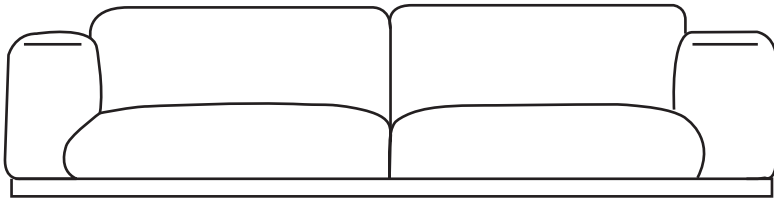


ASSEMBLY INSTRUCTION

REST BY ANDERSSSEN & VOLL



CONTENT:



ASSEMBLY INSTRUCTION:

