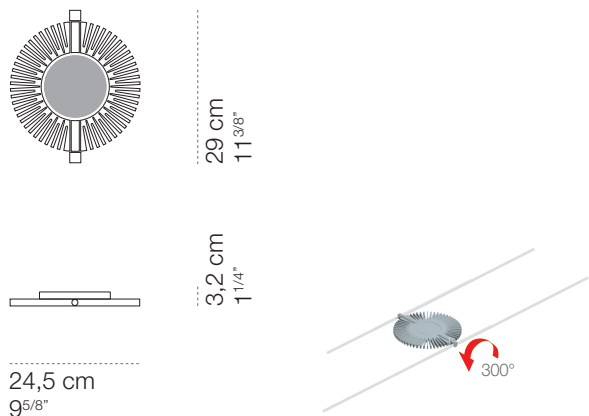
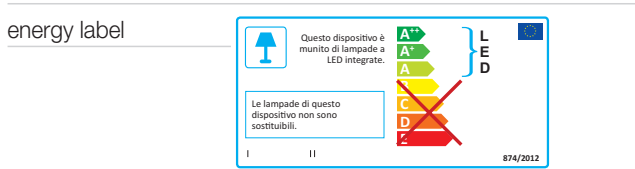


new **Tensoled**

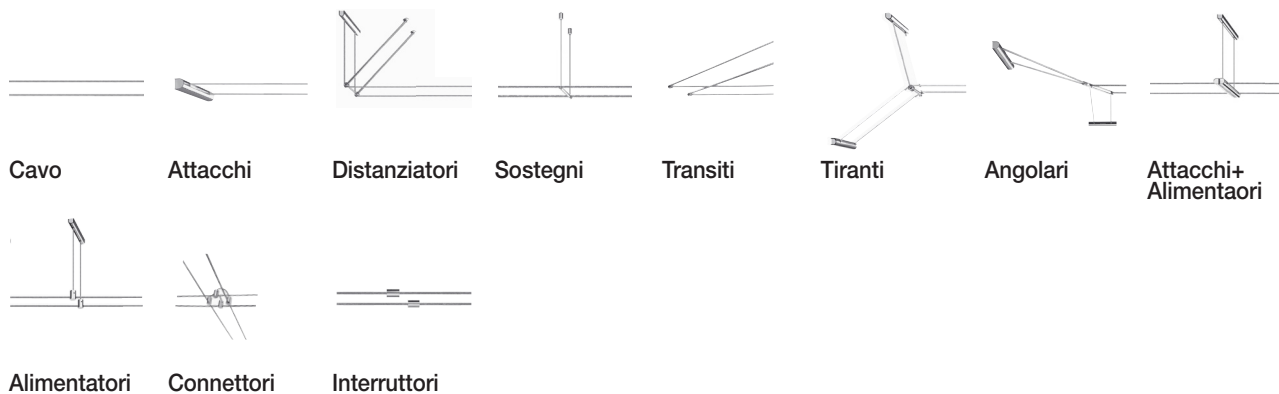


| | luminaire |
|-------------------|--------------------------------------|
| finishing | silver |
| code | 845 |
| materials | aluminium, technopolymers |
| environment | interiors |
| mounting location | on cable |
| emission | direct or indirect light |
| weight | 0,9 kg |
| voltage | 230V |
| ballast | integrated electronic dimmable |
| insulation class | 2 |
| IP classification | IP20 |
| certifications | CE |
| design | Luta Bettonica, Mario Melocchi, 2013 |

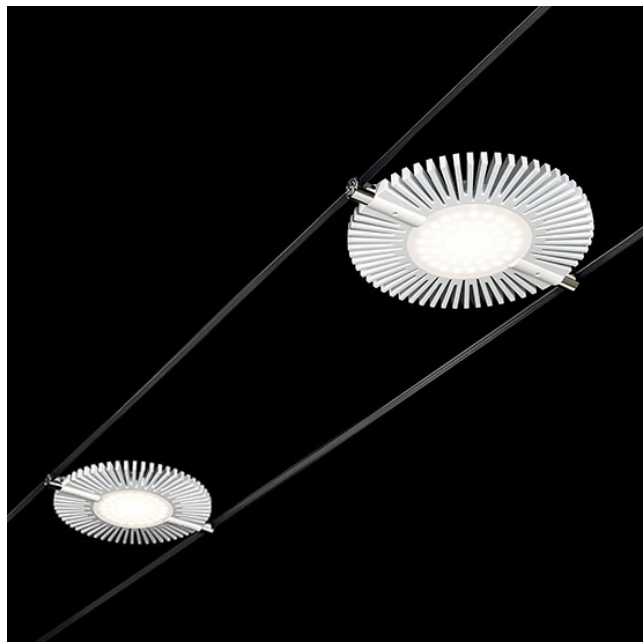
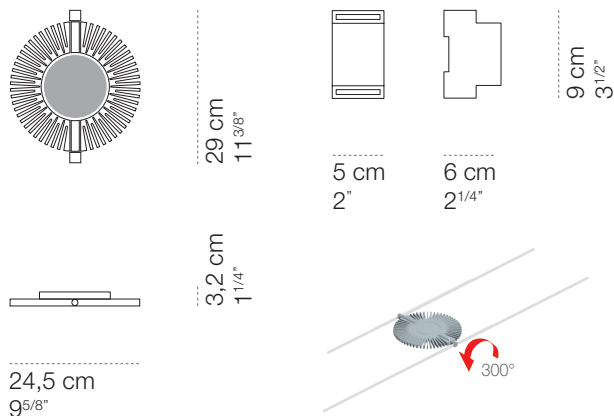
| | light source |
|--------------------|--------------|
| source | LED |
| number of LED | 50 |
| power | 33W |
| luminous flux | 3.000 lm |
| colour temperature | 3.000 °K |
| CRI | ≥ 80 |



accessories for installation (see specific technical sheet)



new **Tensoled DMX**



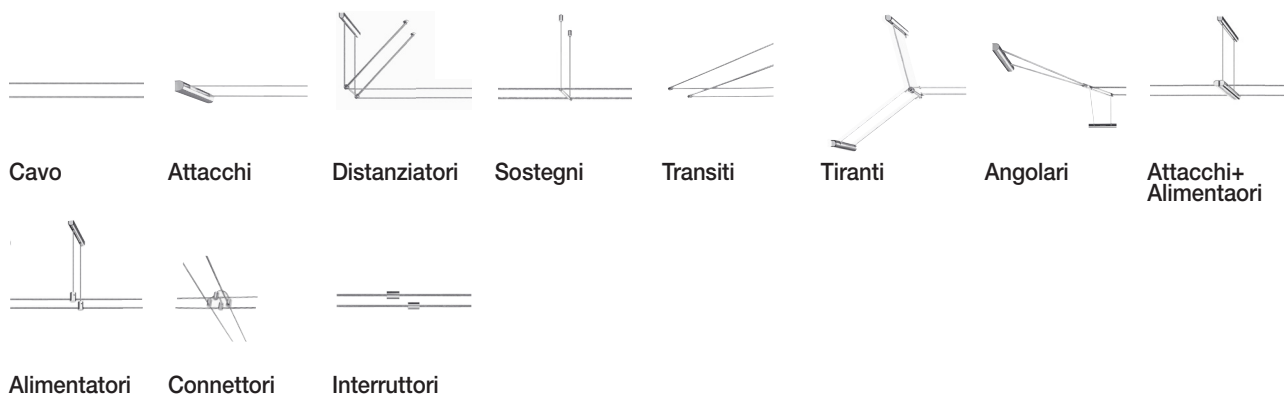
| | luminaire |
|-------------------|--------------------------------------|
| finishing | 847 white - 848 silver |
| materials | aluminium, technopolymers |
| environment | interiors |
| mounting location | on cable |
| emission | direct or indirect light |
| weight | 0,9 kg |
| voltage | 230V |
| ballast | remote electronic |
| unit | remote (cod 849) |
| insulation class | 2 |
| IP classification | IP20 |
| certifications | CE |
| design | Luta Bettonica, Mario Melocchi, 2013 |

| | light source |
|--------------------|--------------|
| source | LED |
| number of LED | 50 |
| power | 33W |
| luminous flux | 3.000 lm |
| colour temperature | 3.000 °K |
| CRI | ≥ 80 |
| energy label | |

components

newTensoLED DMX pilot
cod 849

accessories for installation (see specific technical sheet)



CINI & NILS