

GLO-BALL BASIC ZERO

Mounting	Table
Lamps description	1 x MAX 60W E14 HSGS or 1 LED 8W E14 800lm 3000K dimmer
Environment	Indoor
Finish	White
Technical description	Table/desk lamp providing diffused light. Diffuser consisting of an externally acidetched, hand blown, flashed opaline glass and a die-cast aluminum threaded ring nut with alodine plating finish. 30% fiberglass reinforced injection-molded polyamide base. Gray painted, die-cast aluminum diffuser support. On the cable there is the electronic dimmer which allows the regulation of light brightness.



Glo-Ball Basic Zero

designed by Jasper Morrison with Jorge Herrera

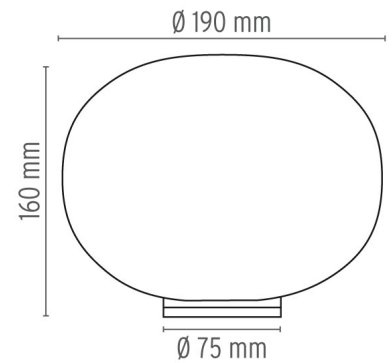
Table/desk lamp providing diffused light

ELECTRICAL

Emergency	Without
Switching	On the cable there is the electronic dimmer which allows the regulation of light brightness with a dial.
Voltage (V)	220/240

● F3330009 White

DIMENSIONS



PHYSICAL

Supply	Power cord
Cord length (mm)	1900
Construction material	Aluminum, Blown glass, Plastic
Weight (kg)	1

CERTIFICATIONS

