

# NEMO

## PROJECTEUR 365 PENDANT

Le Corbusier

The Projecteur of Le Corbusier was designed for the Chandigarh High Court, India, in 1954. Aluminium body painted in night blue, white sand or moka. Diffuser glass curved and sandblasted in the inner part. Painted body, base and canopies. Screws and small metal parts black chromed. Available in the floor, wall/ceiling and pendant versions. The wall/ceiling and pendant lamps are available also in the outdoor version (IP54).



# NEMO

## PROJECTEUR 365 PENDANT

Le Corbusier

### E27 FLUO/LED/HALO IP30

#### Lamping

Source	E27 bulb
Total power	150W
Emission	direct, spot
Switching	dimnable, according to bulb
Tension	230V
Ip class	30
Materials	aluminium
Notes	cable lenght 3m

#### Codes

PRJ EDW 51

sanded

PRJ EWS 51

sanded

PRJ EMS 51

sanded

#### Structure

night blue

white sand

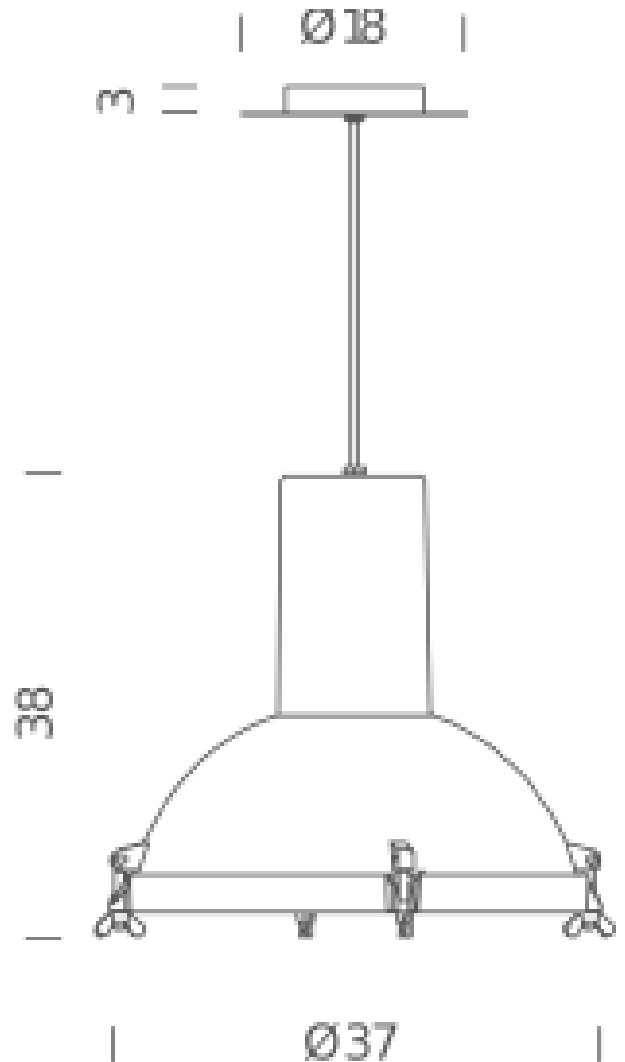
moka

#### Diffuser

#### Package 1

Dimensions 50x50x50

Gross weight 5 Kg



# NEMO

## PROJECTEUR 365 PENDANT

Le Corbusier

### E27 FLUO/LED/HALO IP54

#### Lamping

Source	E27 bulb
Total power	60W
Emission	direct, spot
Switching	dimnable, according to bulb
Tension	230V
Ip class	54
Materials	aluminium
Notes	cable lenght 3m

#### Codes

PRJ EDW 5E  
sanded  
PRJ EWS 5E  
sanded  
PRJ EMS 5E  
sanded

#### Structure

night blue  
  
white sand  
  
moka

#### Diffuser

#### Package 1

Dimensions 50x50x50  
Gross weight 5 Kg

