

&tradition[®]



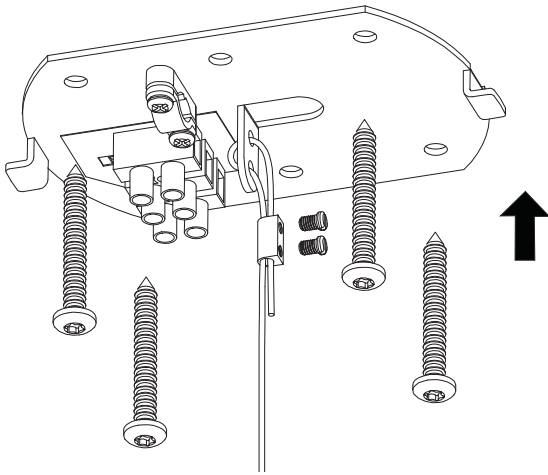
BLOWN LAMP SW3

by Samuel Wilkinson

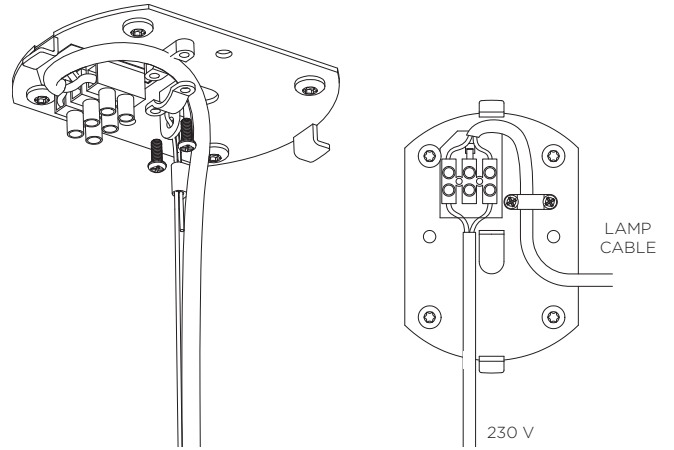
USER INSTRUCTIONS

andtradition.com

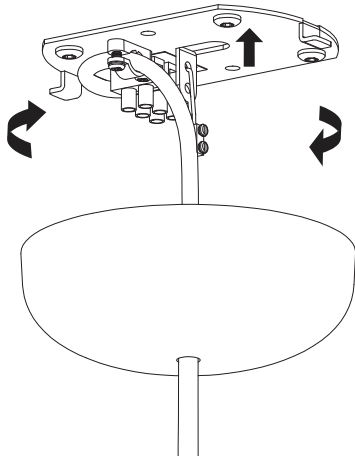
Congratulations on choosing this original Blown Lamp SW3 designed by Samuel Wilkinson. We hope you will enjoy using this product and follow these instructions to ensure correct installation. If you have any questions or comments, please do not hesitate to contact us by mail on: **info@andtradition.com**

1

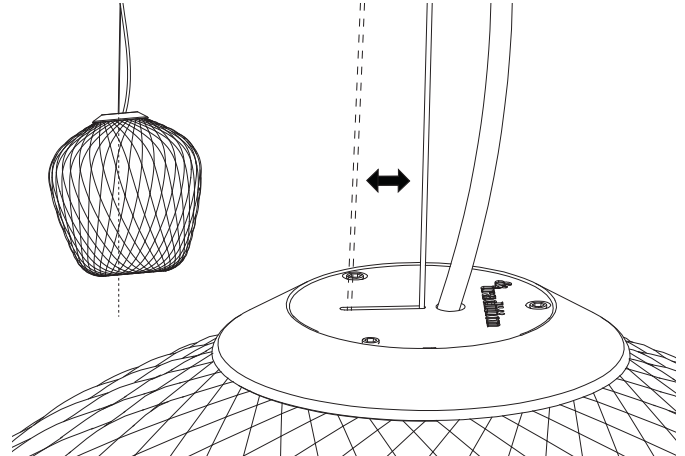
Mount the metal plate securely in the ceiling with screws and appropriate plugs. Fix the safety wire onto the metal plate.

2

Lead the wires of the lamp cable into the terminal block. Then connect the 230V power supply to the terminal block.

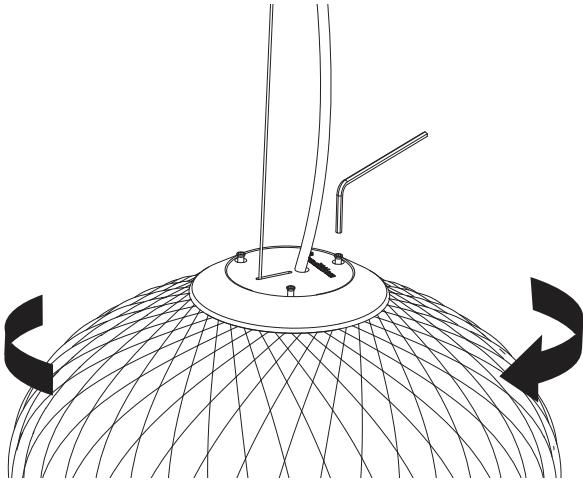
3

Install the plastic canopy onto the metal plate.

4

In case the lamp is not hanging straight, the lamp can be balanced by sliding the safety wire to adjust the weight distribution.

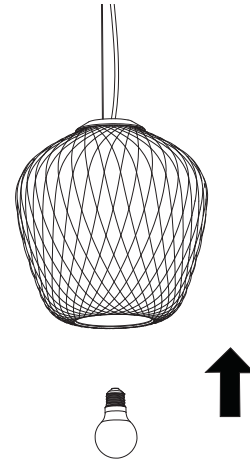
5



If necessary, the metal fitting on the glass shade can be loosened slightly and turned so the weight can be adjusted in another direction.

IMPORTANT: Only loosen the 3 screws enough to be able to turn the metal fitting on the glass - do not remove the fitting completely from the glass shade. Remember to tighten the screws again.

6



Screw in the light bulb.

7



IMPORTANT

If you have any problems regarding the electrical installation, contact a certified electrician. Always shut off power to the circuit before starting installation work. The glass used for this lamp is mouth-blown. Air bubbles do therefore occur and variations in thickness and colour is normal.

230VAC / 50HZ – Max 100W E27

CE  IP20 

&tradition[®]

KONGEVEJEN 2. DK-3480 FREDENSBORG.

T. +45 39200233 F.+45 39200256

INFO@ANDTRADITION.COM WWW.ANDTRADITION.COM