

TANGO

design Francisco Gomez Paz, 2014

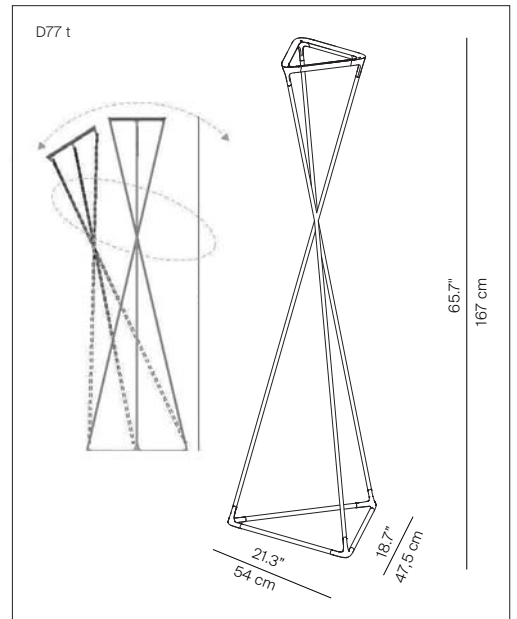
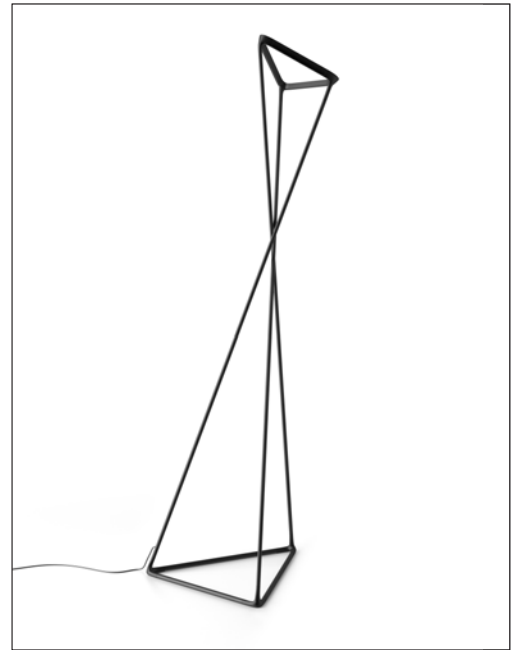


Type: Floor
Light Source: LED 35W 24V ~2700 or ~3000K(*) EEL: A
sensor dimmer
Product use: Indoor
Materials: Structure in aluminium
Joints in elastomer
Colors: Black
Description: An innovative floor lamp for indirect lighting, giving the fixture a dynamic posture of variable geometry, which through a simple gesture makes it possible to gently adjust the direction of the beam.

Rating:  220-240 V ~ 50/60 Hz

Marking:  IP20

Reference code: Structure
D77Nt (3000K) 1D77NTD00001 black
D77Ntw (2700K) 1D77NTDW0001 black



* The LED lamps cannot be changed in the luminaire
Power consumption by device

