

RFH Lounge Chair ^{RD8}

Robin Day

1951



RFH Lounge Chair ^{RD8}

Robin Day

1951



H: 69cm / 27in
Seat H: 36cm / 14in
Armrest H: 58cm / 23in

W: 86cm / 34in, D: 66cm / 26in
Seat D: 51cm / 20in

Product description

Lounge Chair

Environment

Indoor

Material

Walnut and beech veneer, powder-coated steel tubing and steel rod, foam. This product has not been treated with any biocides.

Production process

The frame is CNC bent, welded together and powder-coated steel. The back is made from layers of walnut and beech veneer which are form-pressed and cut to shape using a CNC machine. The seat is made from layers of beech veneer glued together and upholstered foam.

Variants

Black & Hallingdal 103, Black & Hallingdal 227

Strength, durability and safety testing

The chair is tested for strength, durability and safety according to: EN 16139 Level 1 (Seating), BIFMA X5.4-2020

Dimensions

H: 69cm / 27in, W: 86cm / 34in, D: 66cm / 26in,
Seat H: 36cm / 14in, Armrest H: 58cm / 23in,
Seat D: 51cm / 20in

Packaging dimensions

H: 75cm / 30in, W: 70cm / 28in, D: 90cm / 35in

Weight

13kg / incl. packaging: 23kg

Gliders

Plastic gliders installed as standard. Felt gliders available upon request

Colli quantity

1

Certifications



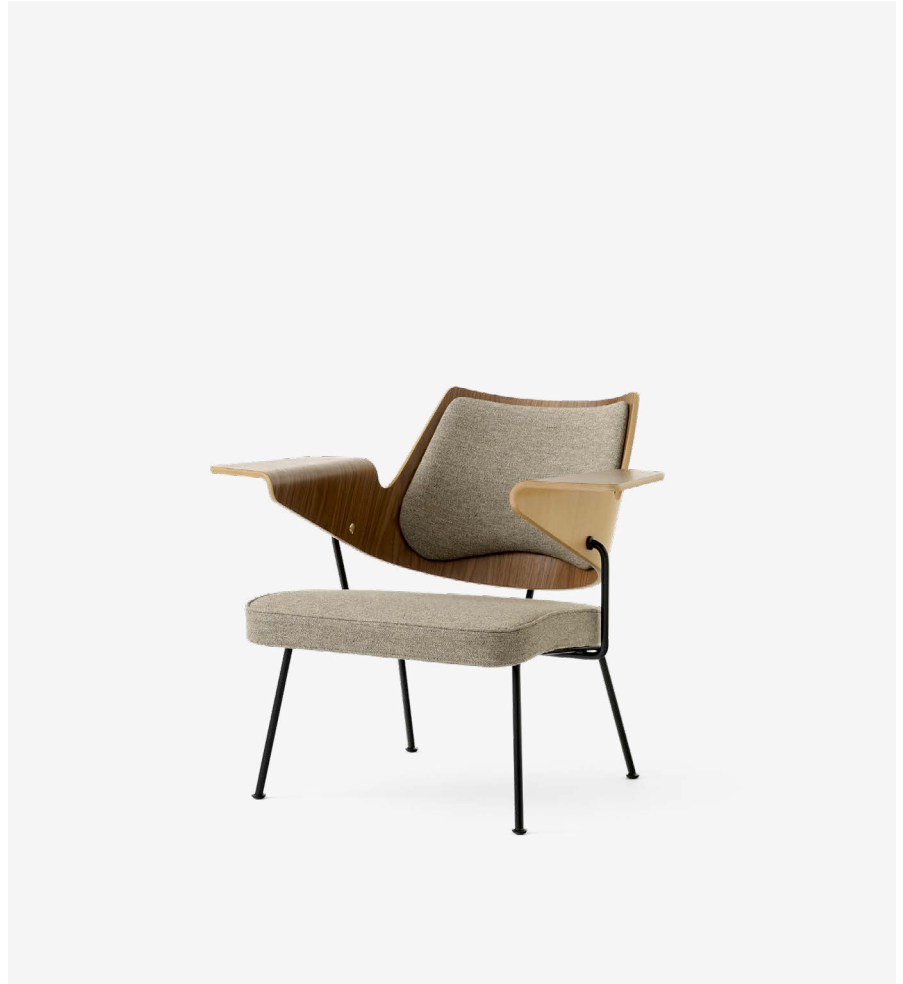
FSC® Mix 70%

Impact

1. Made using FSC® certified wood, supporting responsible management of the world's forests.
2. Uses water-based lacquer, safer for indoor air quality.
3. Upholstered in Kvadrat Hallingdal that is EU Ecolabel compliant and Greenguard Gold certified.

Manufacturer

Produced in Poland by Trioline



→ Black & Hallingdal 103



→ Black & Hallingdal 227

COM - Material consumption

Fabric usage: 1.29m based on a 140cm roll
Leather usage: 2.7 m²

Cleaning instructions

Please download our Material Care & Cleaning instructions through www.andtradition.com

→ Stock items

Black/Hallingdal 103, Black/Hallingdal 227

&Tradition®



H: 69cm / 27in
Seat H: 36cm / 14in
Armrest H: 38cm / 15in

W: 86cm / 34in, D: 66cm / 26in
Seat D: 51cm / 20in

Recycling & Disassembly

RFH Lounge Chair ^{RD8}

RECYLING

The RFH Lounge Chair is built to last, and we hope that your Betty will serve you for many years. The RFH Lounge Chair is made from solid wood and wood veneer, and can be easily separated from its base. All metal and wooden parts can be separated and delivered to a suitable recycling station.

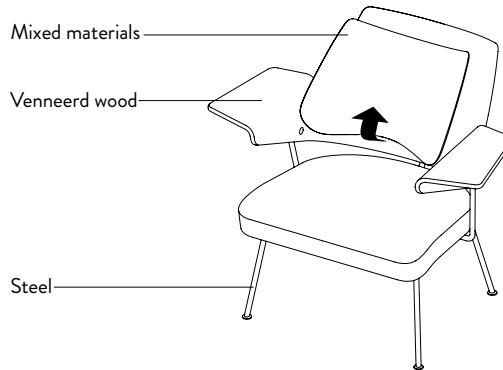
SPARE PARTS

To purchase spare parts for your RFH Lounge Chair, please write to our sales support team at info@andtradition.com with your query.

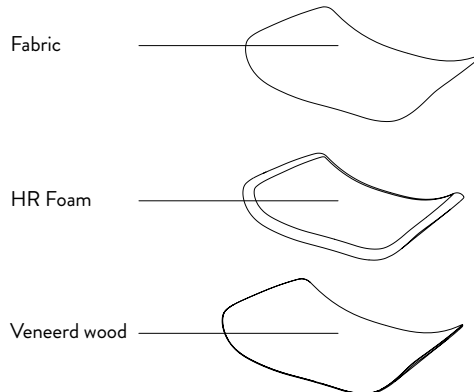
5 YEAR WARRANTY

&Tradition provides a 5-year warranty with every RFH Lounge Chair, which covers faults which were present at the time of purchase, or which have occurred as a result of a manufacturing defect. The warranty is valid from the date stated on the original invoice.

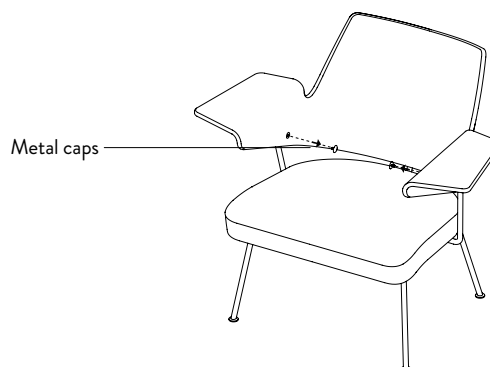
DISASSEMBLY



1. Remove the upholstery pad from the backrest by grabbing the bottom edge with two hands and pulling outwards. The upholstery pad should come loose from the three hooks in the top and the two connectors at the bottom.



2. To disassembly the upholstery pad remove the nails on the backside that secures the fabric to the wood with a flat headed screwdriver. The foam can be gently removed by pulling.

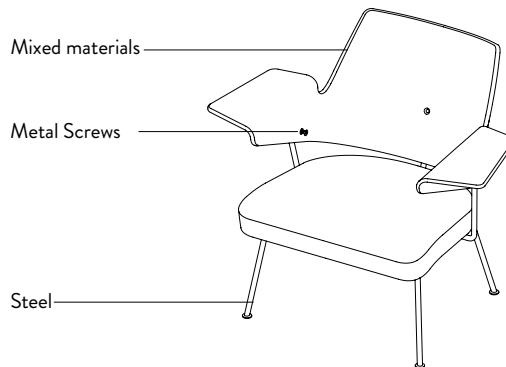


3. Unscrew the brass caps on the armrests to get access to the screws.

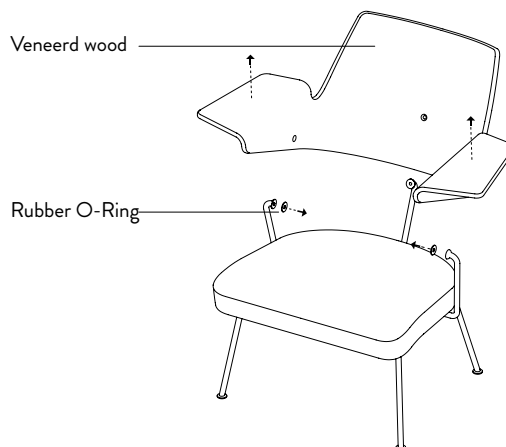
Recycling & Disassembly

RFH Lounge Chair ^{RD8}

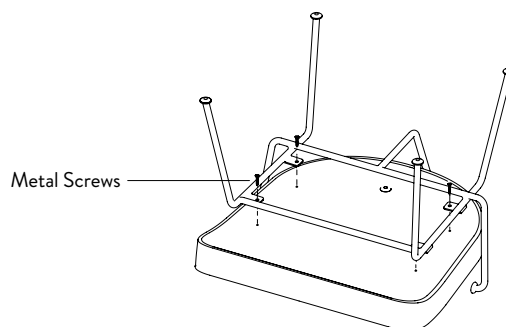
DISASSEMBLY



4. Remove x3 screws with an allen key to loosen the backrest.



5. When lifting the backrest off the base, the rubber x3 o-rings on the base can now be removed.



6. Remove the screws from the base of the chair to separate the seat plate from the frame.