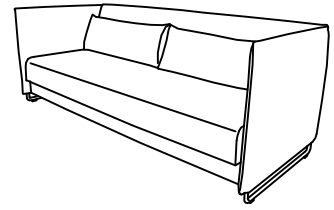


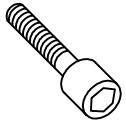
**SOFT  
LINE**

**METRO**

Design: Busk + Hertzog



www.softline.dk



A x 8



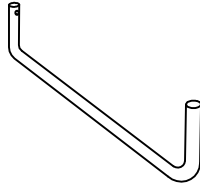
B x 8



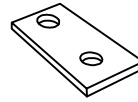
C x 4



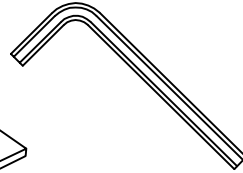
D x 4



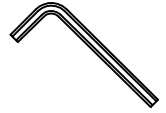
E x 2



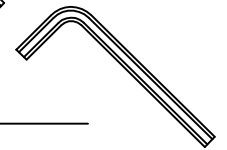
F x 2



G x 1

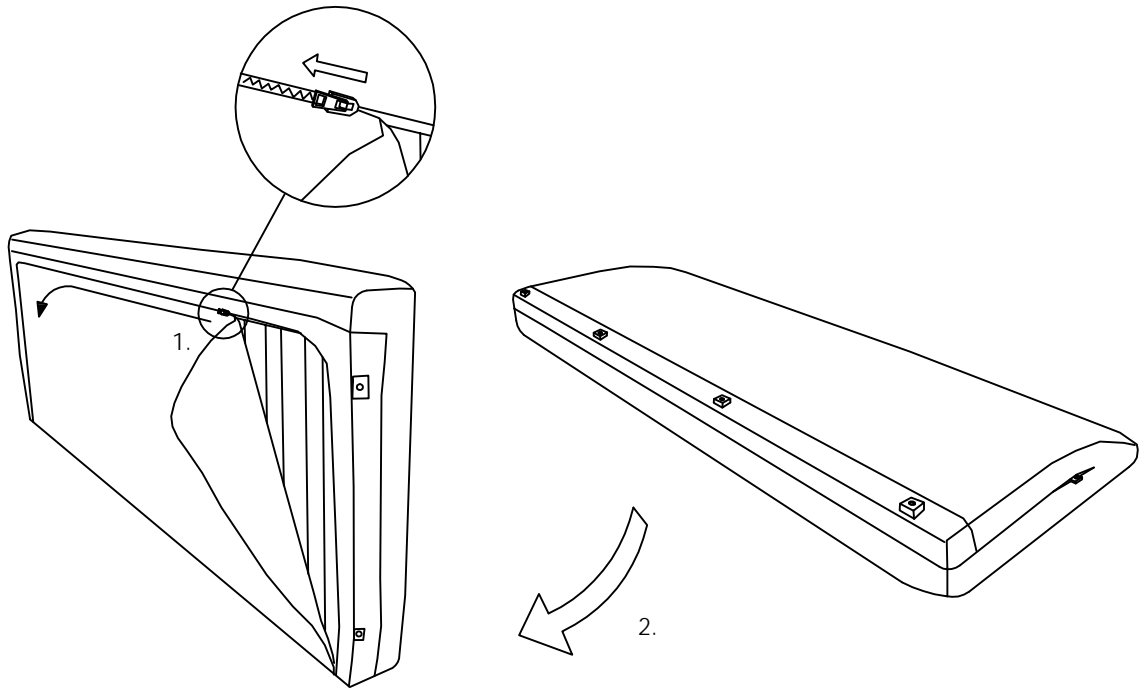


H x 1

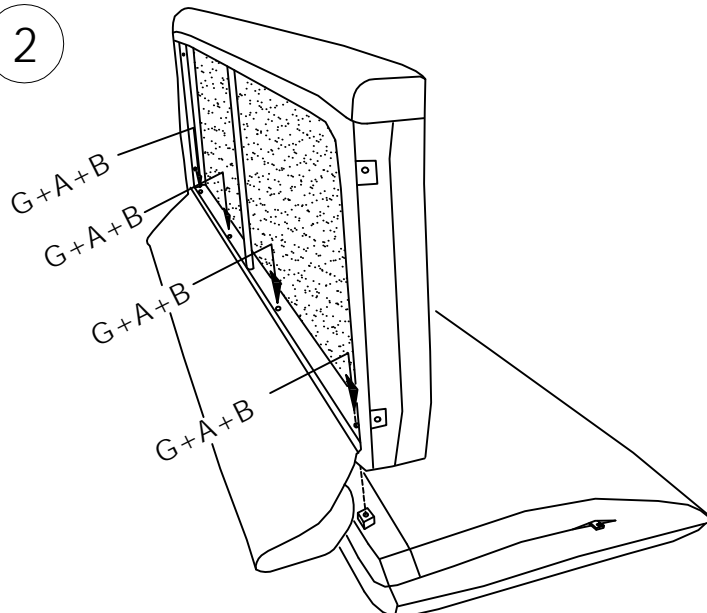


I x 1

1



2



**A**

