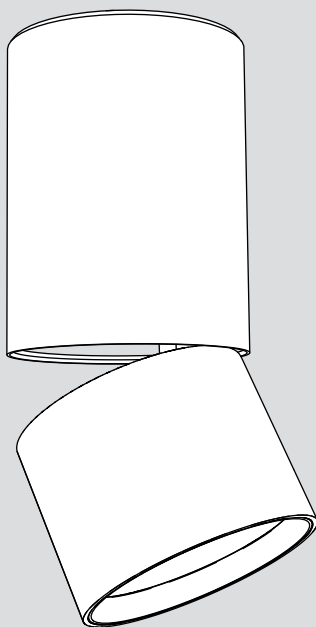
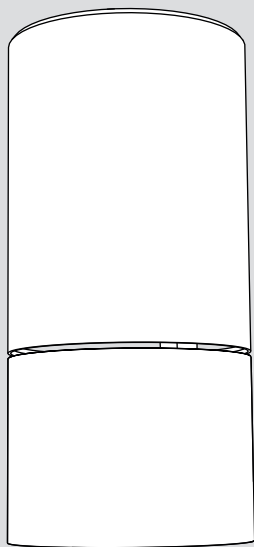


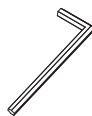
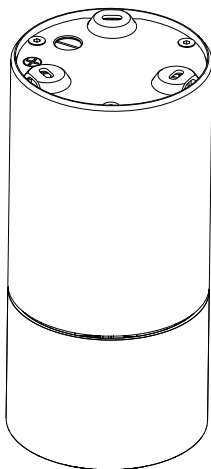
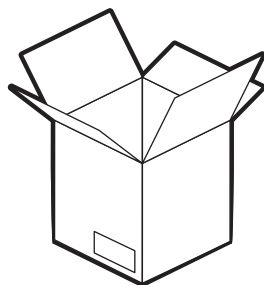
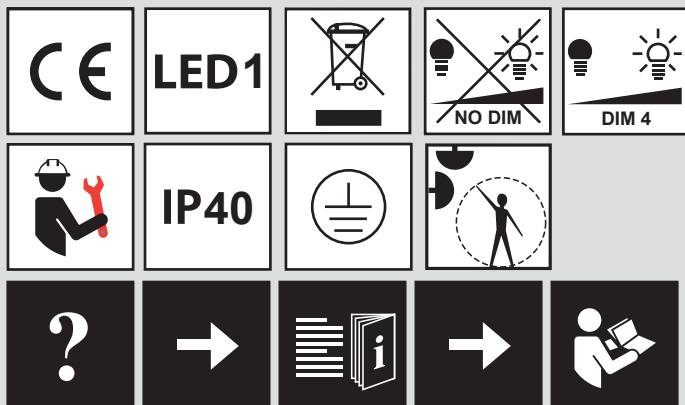
HOY SMD

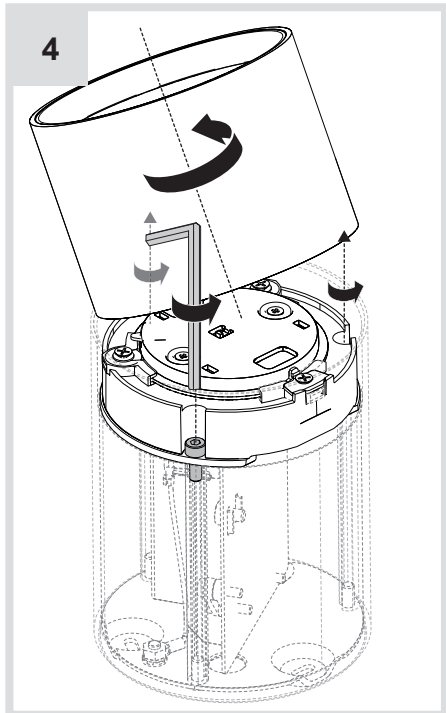
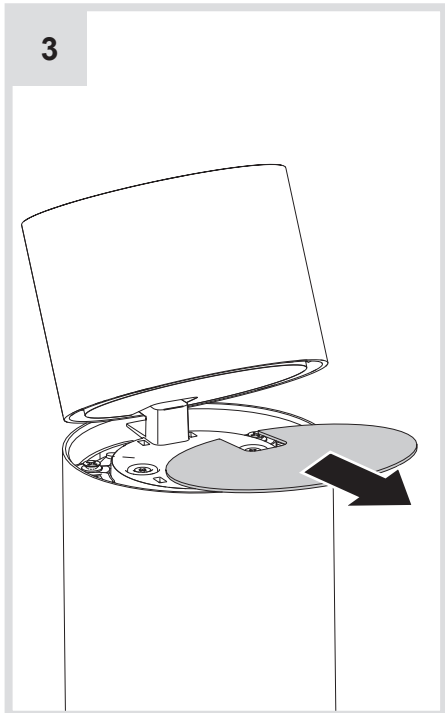
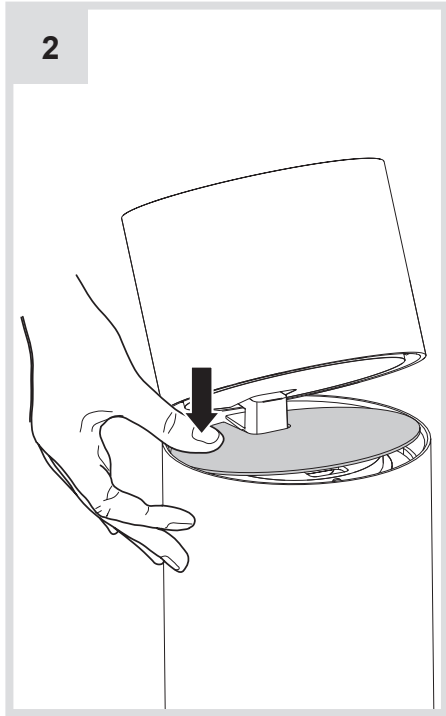
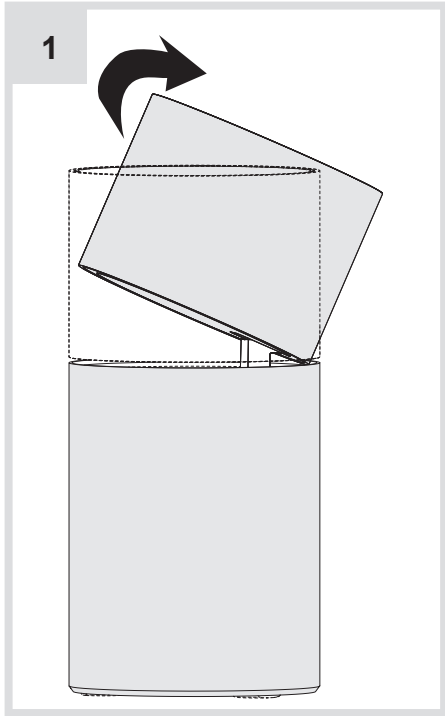
design
Foster + Partners

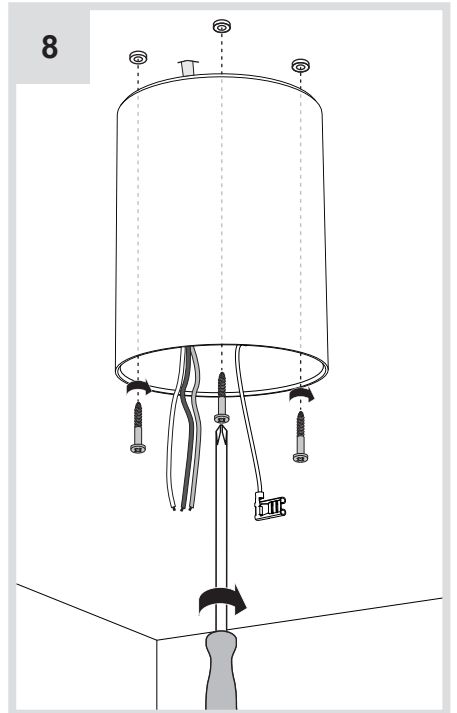
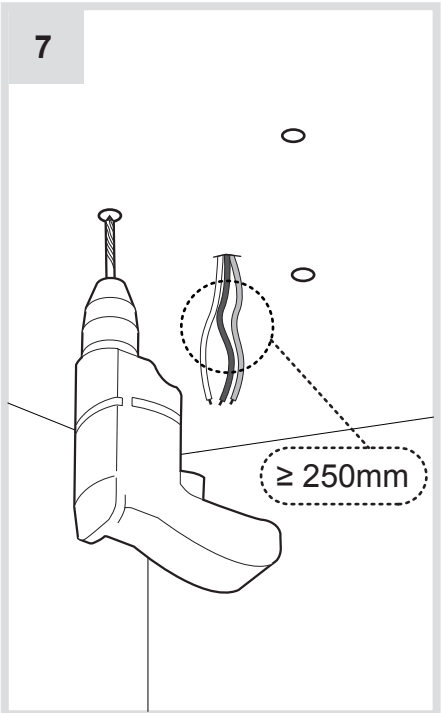
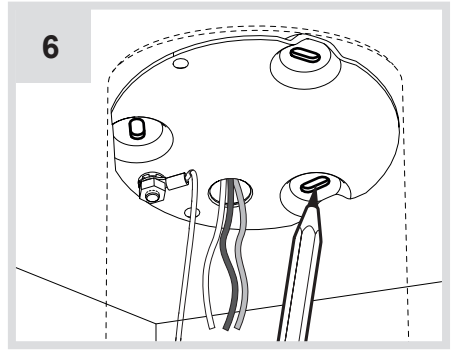
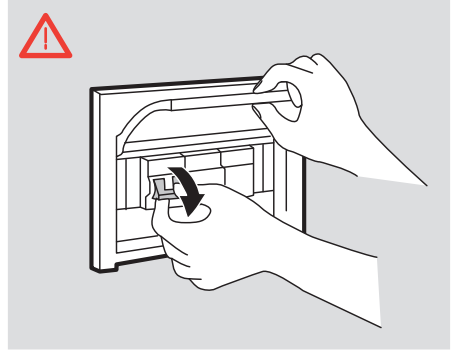
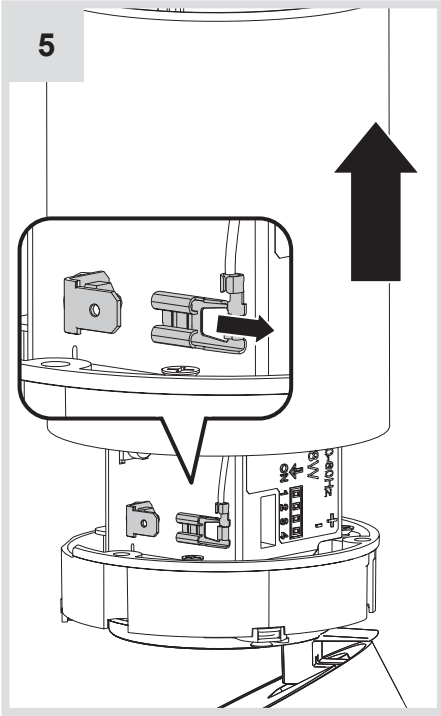




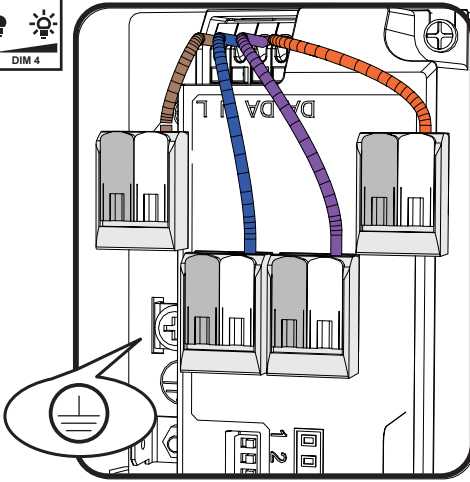
i



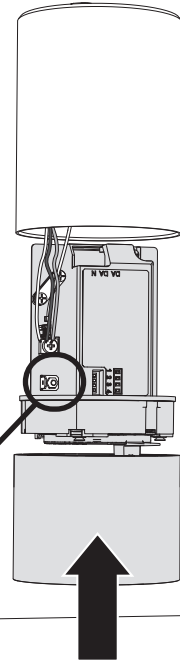
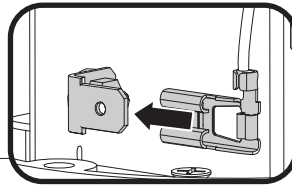




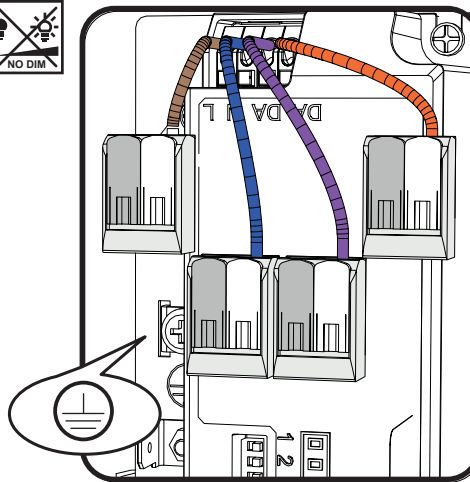
11a



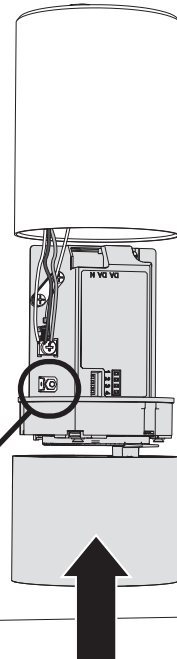
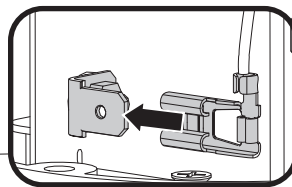
D1	○	●	arancione/orange/naranja
D2	○	●	viola/violet/pourpre/lila
N	○	●	blu/blue/bleu/azul/blau
L	○	●	marrone/brown/marron/braun



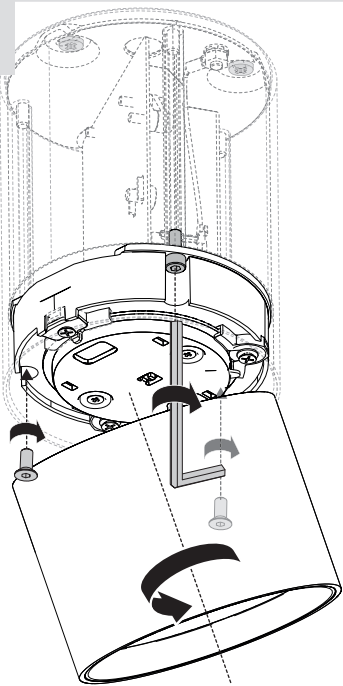
11b



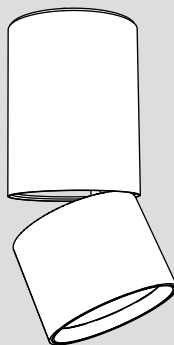
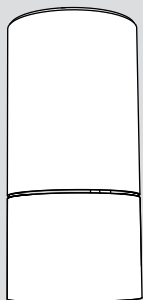
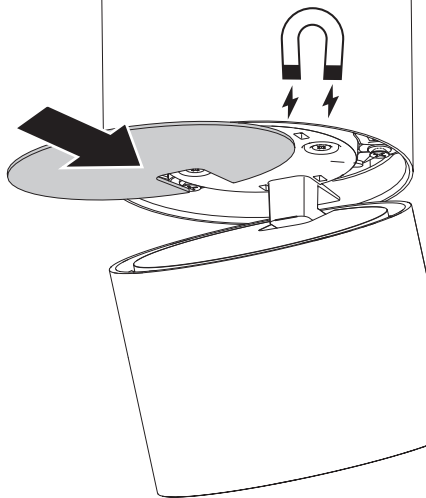
D1	○	○	
D2	○	○	
N	○	●	blu/blue/bleu/azul/blau
L	○	●	marrone/brown/marron/braun

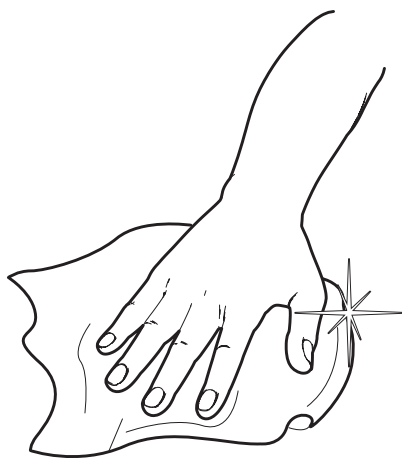


12



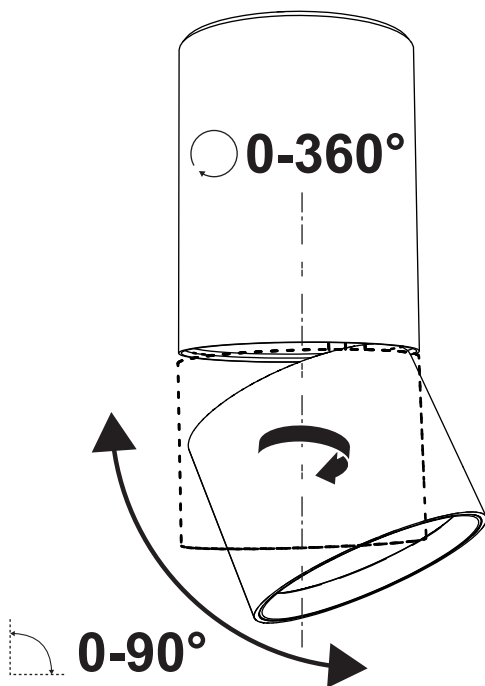
13

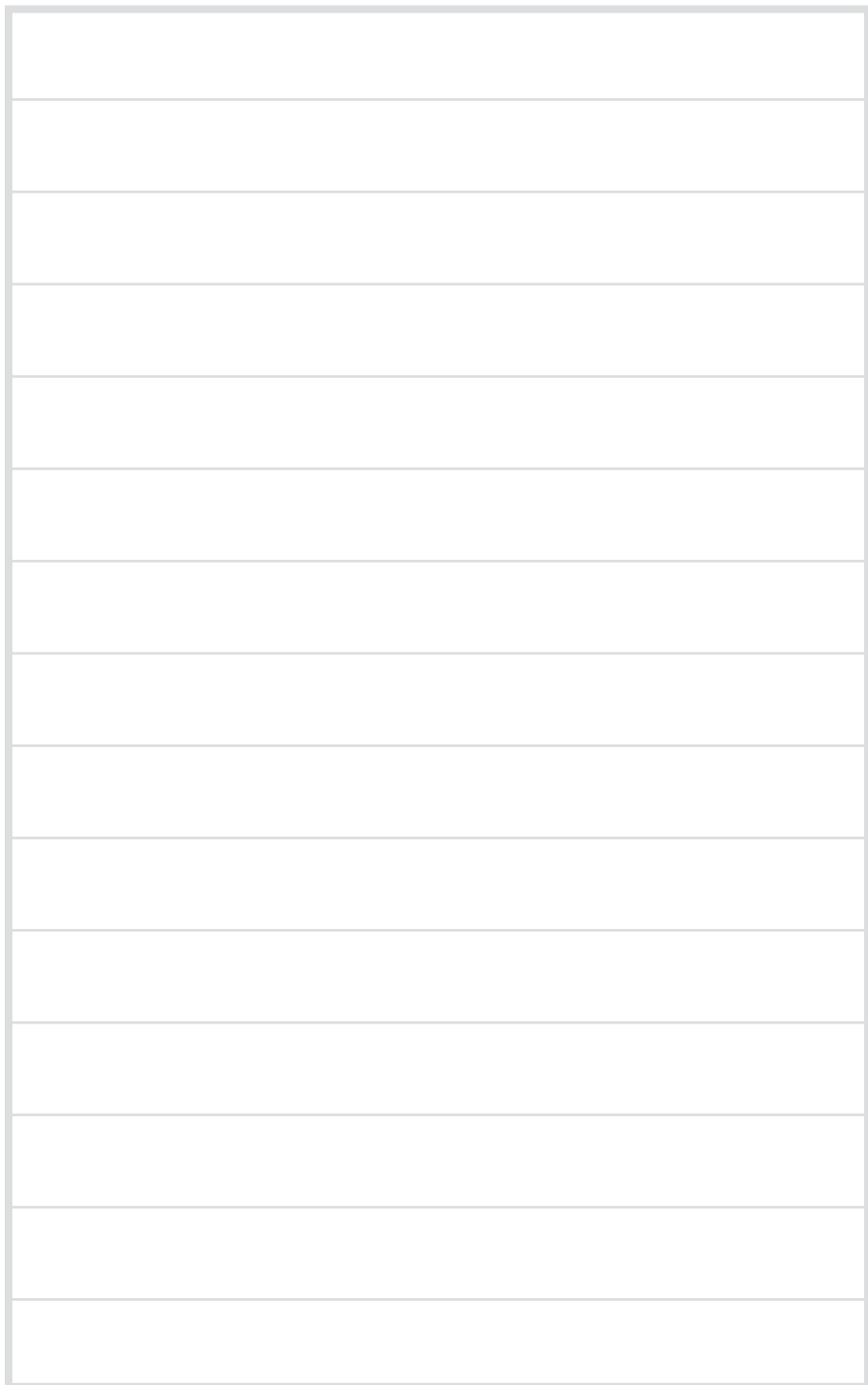




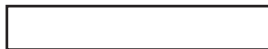


14





Artemide®



Artemide

via Bergamo, 18
20010 Pregnana M.se (MI)
ITALIA

tel. +39 02 935 181
fax +39 02 935 90 254
fax +39 02 935 90 496

www.artemide.com

VAT IT00846890150

cod. Y513001084