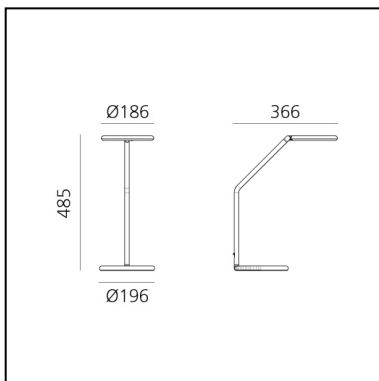


Vine Light - Table

BIG - Bjarke Ingels Group



LUMINAIRE

- Watt: **8W**
- Lichtstrom (lm): **602lm**
- CCT: **3000K**
- Efficiency: **78%**
- Efficacy: **75.29lm/W**
- CRI: **90**

BESCHREIBUNG

Vine Light is a pure and balanced line that reaches great freedom of movement with only two joints, leaving users free to define their own light with a simple gesture.

An unbroken section, measuring only 16 mm for the small versions and 25 mm for the big ones (floor, wall), shapes the structure and houses all the opto-electronic and mechanical elements.

Its minimalist presence creates a perfect balance among different materials, weights, light quality, precision of movement and functionality.

Vine Light translates technological complexity into simplicity and freedom. It represents a synthesis in which the apparent simplicity is the result of a deep know-how and innovative research.

ARTIKELNUMMER: 1564030A

FUNKTIONEN

- Artikelnummer: **1564030A**
- Farbe: **Black**
- Installation: **Tischleuchte**
- Serie: **Design Collection, Novelties**
- design: **BIG - Bjarke Ingels Group**

DIMENSION

- Länge: **cm 36.6**
- Höhe: **cm 48.5**
- Durchmesser Fuß: **cm 19.6**