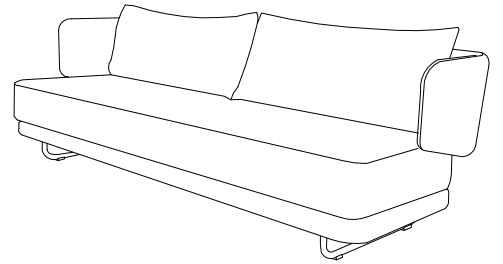


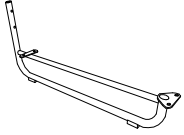
**SOFT
LINE**

JASPER

Design: Busk + Hertzog



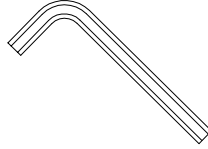
www.softline.dk



A x 2

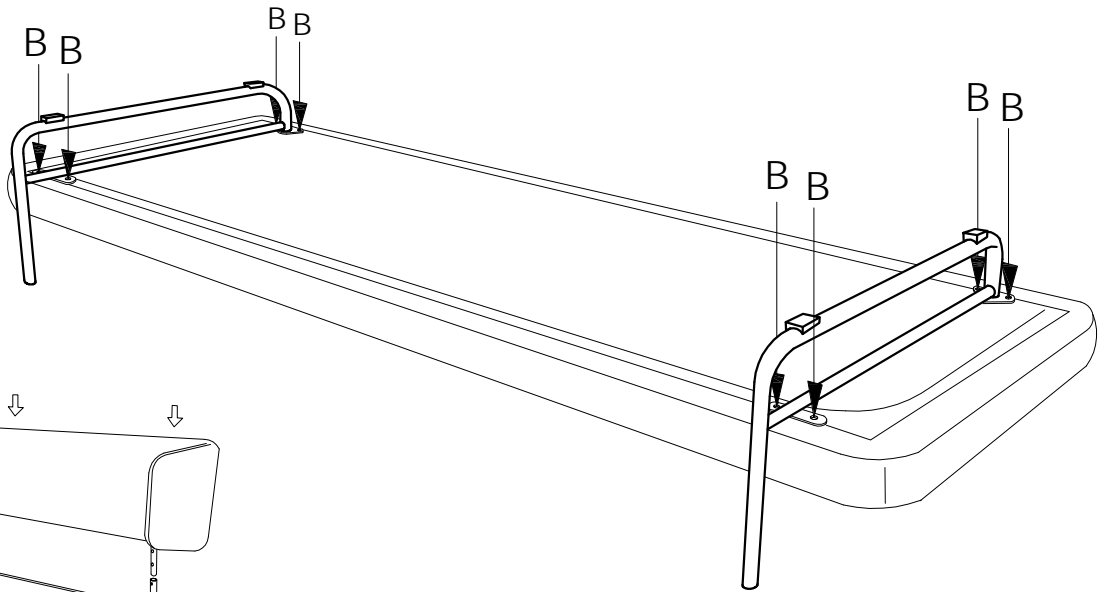


B x 12

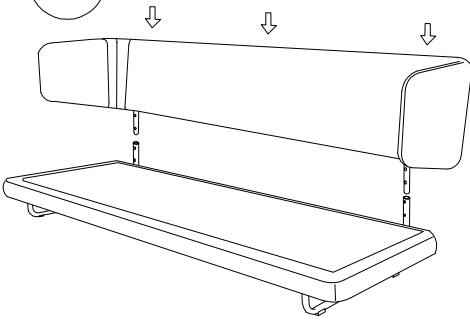


C x 1

1.



2.



3.

