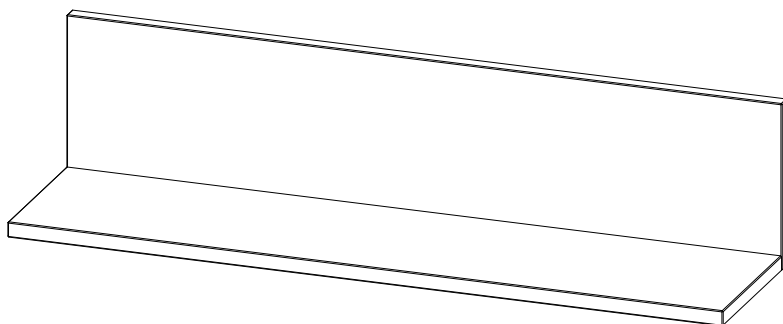


Assembly & Care Guide

Tana Wall Shelf

Rikke Rützou Arned



Thank you for choosing the Tana Wall Shelf designed by Rikke Rützou Arned. We hope you will enjoy it as much as we enjoyed making it. Please follow this guide to ensure correct installation, assembly, and care of your New Works product.

Contents

Fixation of Wall Bracket

| | |
|--|---|
| Guide for wall bracket _____ | 5 |
| 1. Define height of the wall bracket _____ | 5 |
| 1.a Measurement _____ | 5 |
| 1.b Decide height of Tana Wall Shelf _____ | 6 |
| 1.c Add the two lengths _____ | 6 |
| 2. Bracket placement _____ | 6 |
| 3. Leveling _____ | 6 |
| 4. Drilling and mounting _____ | 7 |

Mounting Tana Wall Shelf

| | |
|---|---|
| Guide for mounting Tana Wall Shelf _____ | 9 |
| 1. Hang Tana Wall Shelf on wall bracket _____ | 9 |

Attention

Please read these instructions carefully and retain them for future reference to ensure that the product is used correctly. For your safety, please study each step of this guide before you begin the assembly.

New Works will not take any responsibility for accidents or injuries that occur due to misuse or unintended use of the product. This includes use of the product in unintended environments.

If you have any questions, please do not hesitate to contact us via email: info@newworks.dk

Safety Precautions

Universal wall plugs are delivered with this product. Always pay attention to your wall type and use the correct plugs accordingly. If you are mounting directly onto plaster walls we recommend seeking professional help before continuing with the installation.

Always check if you have piping or electrical installations where you intend to install this product. Always consult professionals if you are in doubt.

Cleaning Instructions

Wipe the product with a soft dry or moist cloth. Do not use any abrasive cleaning tools and never use strong cleaning agents such as household glass cleaner, white spirit, or turpentine.

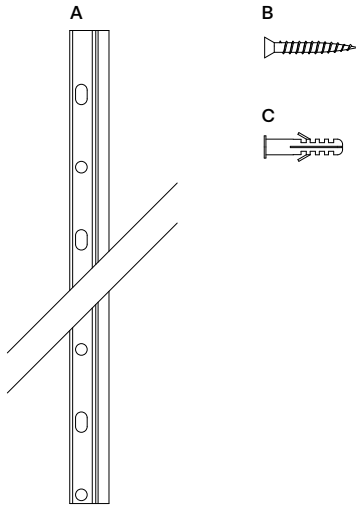
Required Tools

- Power drill
- Drill bit, Ø7 mm
- Spirit level
- Bits, pozidriv or philips
- Measurement tool



Wall Bracket Fixation

Guide for wall bracket



Fixation of Wall Bracket

Guide for wall bracket

A - Wall Bracket

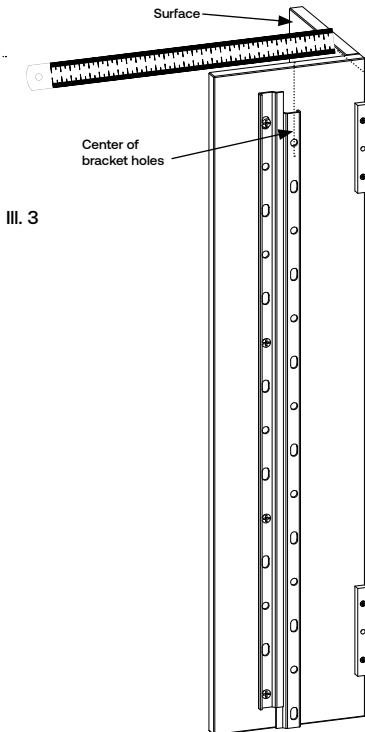
B - 4 pcs. 5x50mm self-tapping screws

C - 4 pcs. Universal Plugs

Attention: Make sure to use the correct wall plugs for your wall type. New Works does not take responsibility for unsafe mounting. Mounting of Tana Wall Shelf onto plaster walls is never recommended.

Attention: Always mount the wall bracket with all available screws.

Note: The number of items shown in the drawing might not correspond to the number of items in your package. This depends on the product you have purchased.



III. 3

1. Define height of the wall bracket

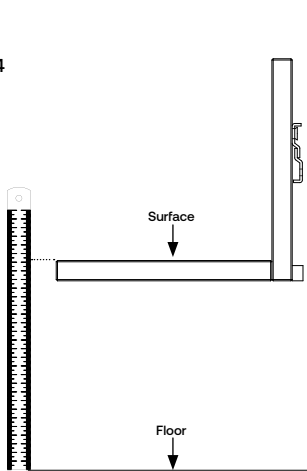
1.a Measurement

Place Tana Wall Shelf on a clean spot to avoid scratches.

Tilt Tana Wall Shelf to one side and place the wall bracket inside the mounted bracket.

Measure the distance between shelf surface and the center of the bracket holes.

III. 4



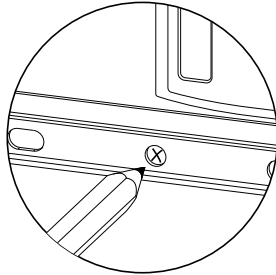
1.b Decide height of Tana Wall Shelf

Decide the height in which the Tana Wall Shelf is to be hung.

1.c Add the two lengths

Add the measurement with the decided height of Tana Wall Shelf and the sum of the two numbers is the height of the wall bracket.

III. 5

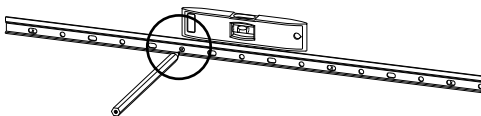


2. Bracket placement

Make a mark on the wall in the defined height.

Place the wall bracket on the wall and center the mark in one of the bracket holes.

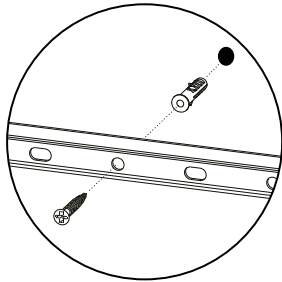
Attention: Remember to determine the horizontal placement. The brackets allows 20 mm of wiggle-room to each side.



3. Leveling

Bring the bracket in level and make marks corresponding to the number of screws.

III. 6



4. Drilling and mounting

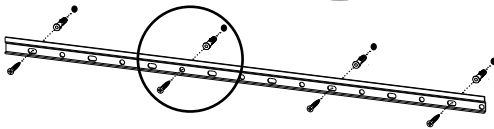
Make the holes using a power drill.

Put in the universal plugs.

Mount the bracket.

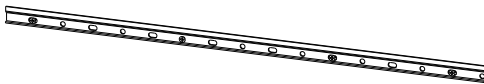
Attention:

Remember to orient the bracket correct.



III. 7

When mounted correctly, Wall Bracket should look like III. 7.



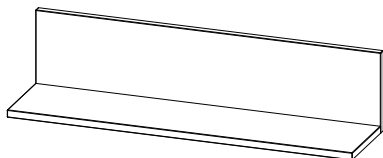
Mounting Tana Wall Shelf

Guide for mounting Tana Wall Shelf

Mounting Tana Wall Shelf

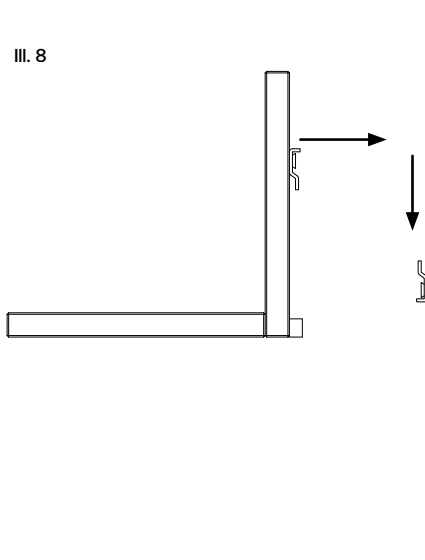
Guide for Mounting Tana Wall Shelf

A



A - Tana Wall Shelf

III. 8



1. Hang Tana Wall Shelf on wall bracket

Gently move Tana Wall Shelf towards the wall. When the wall is reached lower the shelf until the two brackets meet.

Attention:

Before letting go be sure that Tana Wall Shelf stays on the wall bracket.

NEW WORKS.

info@newworks.dk +45 72 30 99 99

Frederiksgade 1, Ground Floor, 1265 Copenhagen, Denmark

www.newworks.dk @newworksdk