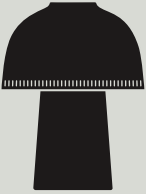


Instructions

Raku SH8

Sebastian Herkner

2022



Congratulations on your new Raku lamp, designed in 2022 by Sebastian Herkner. We hope you will enjoy using this product. Please follow these instructions to ensure correct installation. If you have any questions or comments, please do not hesitate to contact us by mail at: info@andtradition.com

&Tradition®

Raku SH8

Sebastian Herkner

2022

Please read these instructions carefully and keep them for future reference to ensure the product is used correctly. For your own safety, please read each step of this instruction manual first. &Tradition is not responsible for any faults or damage caused by not following these instructions correctly. Do not modify this product in any way.

Contents

- A Lamp shade
- B Lamp base
- C Battery compartment (incl. 1 battery)
- D LED G4 1W light bulb
- E Magnetic USB charging cable

Tools needed

Screwdriver (for battery replacement)

Safety precautions

- Dispose of plastic bag from packaging immediately and keep out of reach of children.
- This lamp is only intended for indoor use.
- Consult a professionally qualified electrician if in any doubt.
- Do not place the USB cable within reach of small children or anywhere where there is a danger of it becoming a trip hazard.
- Keep product out of reach of children.

Cleaning instructions

- Wipe surface of the shade with a dry cloth.
- Do not use any abrasive cleaning tools such as steel wool, scouring sponges or stiff brushes.
- Never use strong cleaning agents such as white spirit, turpentine, household glass cleaner or cellulose thinners.

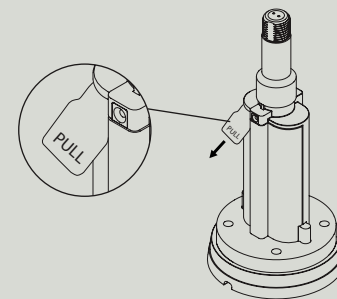
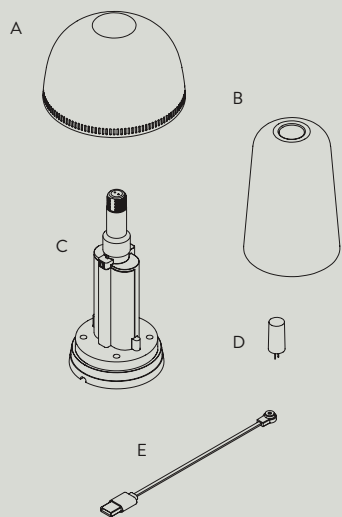
&Tradition will not accept any responsibility for any accidents or injuries that occur due to the use of incorrect USB cable input. The battery must be removed from the lamp before it is disposed of; the appliance must be disconnected from the supply mains when removing the battery; the battery must be disposed of safely.

For further information or inquiries, please do not hesitate to contact &Tradition by mail at: info@andtradition.com.

For indoor use only
Input 5.0V \equiv 1A USB cable
G4 Max 1.5 Watt dimmable LED bulb
1 x Rechargeable &Tradition battery

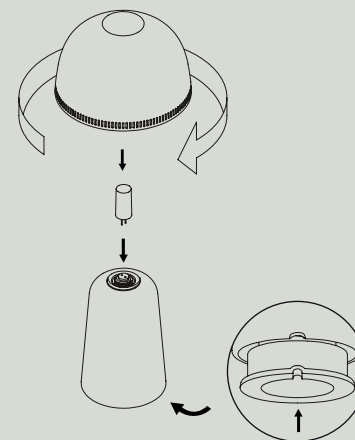
Charging time
1 battery: 3.5 hours
2 batteries: 6 hours

Operating time on highest setting
1W LED light bulb 1 battery: 11 hours
2 batteries: 20 hours



Step 1

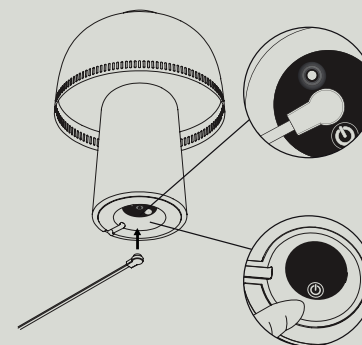
Remove plastic slip to activate the battery by pulling the slip out from the compartment.



Step 2

Insert the LED light bulb. Carefully lower the shade onto the base and turn clockwise to install it.

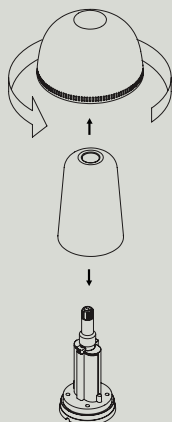
Make sure the groove in the battery compartment is aligned with the same groove in the base.



Step 3

Before use, the battery in the lamp needs to be charged. Plug the magnetic USB cable into the magnetic bottom of the base and connect the USB cable to a power supply.

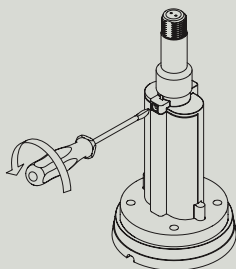




Replacing battery

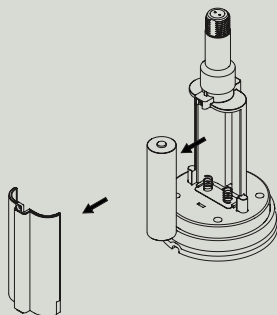
Step 1

To replace the battery, start by detaching the shade by turning it counter clockwise. Take out the LED light bulb. Gently press on top of the socket until the battery compartment pops out of the bottom.



Step 2

Unscrew the screw in the battery compartment by turning counter clockwise and remove the lid.



Step 3

Take out the battery and replace it with a new battery. To correctly place the battery, turn the plus and minus pole as stated in the battery compartment.

Take caution to mount the lid gently by not overturning the screw in the threading.

Remember to only use official rechargeable batteries from &Tradition. If desired, two batteries can be installed to achieve longer operation time.

For further information or for any inquiries, please do not hesitate to contact &Tradition by mail at info@andtradition.com.