

## Instructions



# Pinwheel HM7 Hvidt & Mølgaard 1953

---

Congratulations on choosing this original Pinwheel table, designed in 1955 by Hvidt & Mølgaard. We hope you will enjoy using this product and follow these instructions to ensure correct assembly. If you have any questions or comments, please do not hesitate to contact us by mail on:

[info@andtradition.com](mailto:info@andtradition.com)

# Pinwheel HM7

## Hvidt & Mølgaard

### 1953

---

Please read these instructions carefully and retain them for future reference to ensure that the product is used correctly. For your own safety, please study each step of this instruction manual. &tradition is not responsible for any faults or damages caused by not following these instructions correctly.

#### Contents

- A Solid wood table top
- B 3 × Metal legs

#### Safety precautions

- Dispose of plastic bag from the packaging and do not allow children to play with it.
- The table is only intended for interior use.
- Handle the table tops with care in order not to scratch the surfaces.

#### Cleaning instructions

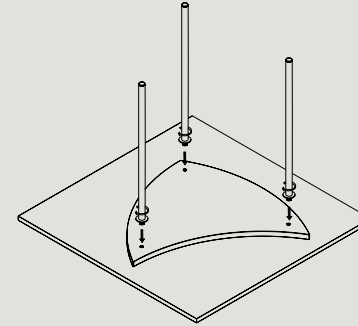
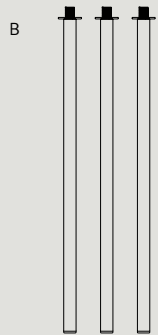
The Pinwheel table is made from brass plated stainless steel and oiled solid wood. Never use aggressive or abrasive cleaning detergents for any parts of the table, as this will cause irreparable damage.

#### Oiled solid wood table top

- For daily care, dust the table top with a soft dry cloth. Cleaning can be done using a soft cloth wrung in lukewarm water following the wood grain and dried immediately with a dry cloth following the wood grains.
- For more severe cleaning a soap specifically developed for oiled wood can be used. Follow the instructions on the packaging of the cleaning product.
- To maintain the look and silky feeling of oiled wood, regular re-oiling is recommended. Re-oiling should be done when the wood starts to appear dry or faded. Usually, reoiling four times every year is sufficient.
- Re-oiling of the oiled solid wood table tops can be done by applying either standard white pigmented oil for the oak or natural oil for the walnut. Follow the instructions on the oil packaging.

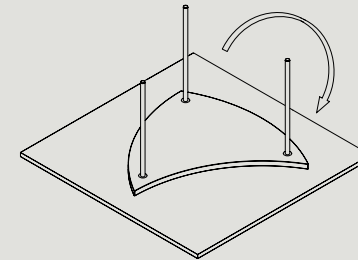
#### Metal legs

- It is recommended only to use a soft dry cloth to clean plated surfaces but in case more severe cleaning is necessary, a soft cloth wrung in lukewarm water can be carefully applied. Always dry immediately after cleaning with a soft dry cloth.



#### Step 1

Turn the table top upside down on a soft, flat surface. Place the legs in the appointed holes and fasten clockwise.



#### Step 2

Turn the table around and place carefully on the floor.

**&Tradition®**