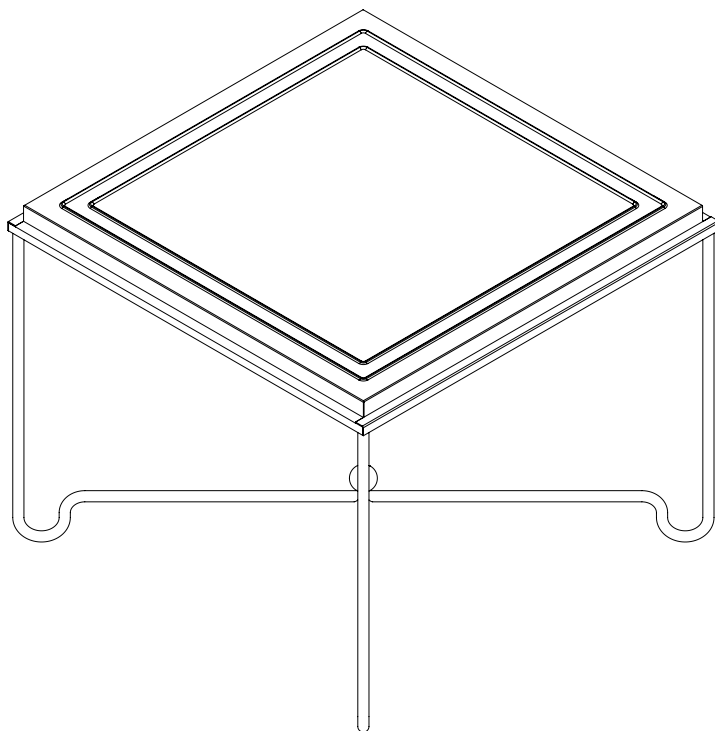


GUBI

ASSEMBLY INSTRUCTIONS

for

Tropique Dining Table





CARE INSTRUCTIONS

Daily cleaning can be done by wiping the frame with a clean dry cloth. Should the surface need more attention this can be cleaned with water and a light detergent or soap applied with a damp cloth. Wipe after with a clean dry cloth. Avoid any abrasive materials.

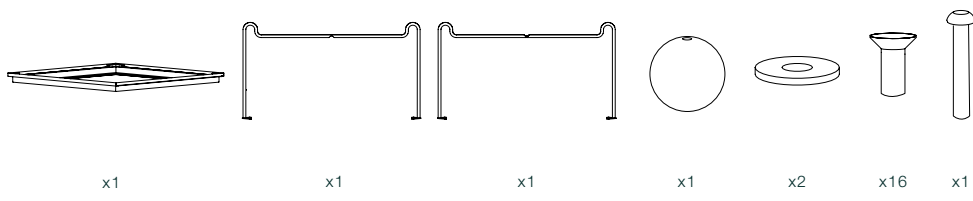


For enquiries contact GUBI A/S - CVR: 17940384
Klubiensvej 7-9, 2150 Nordhavn, Copenhagen, Denmark

T +45 69 15 60 60 – order@gubi.com

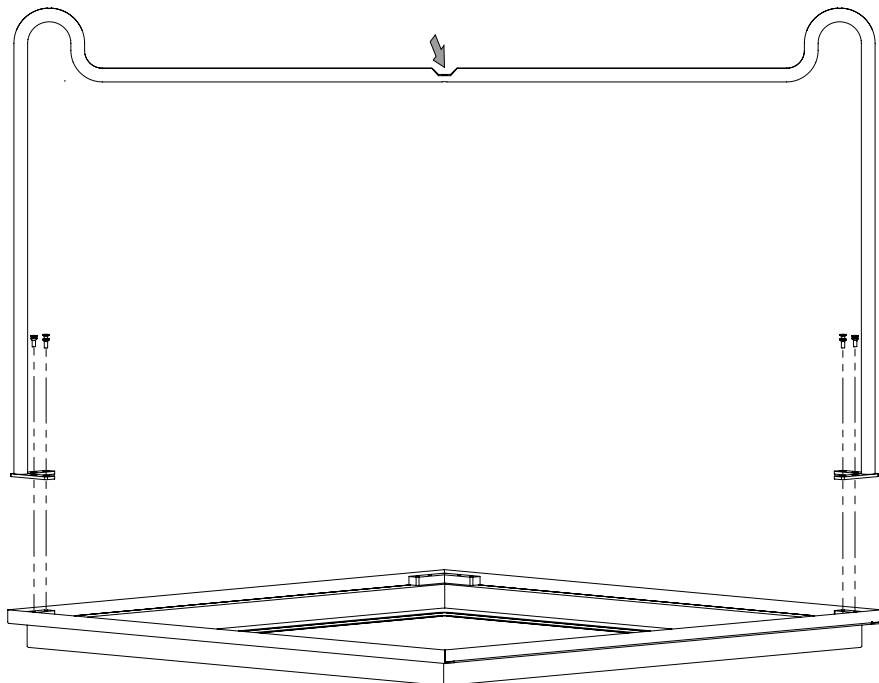
GUBI.COM

CONTENTS



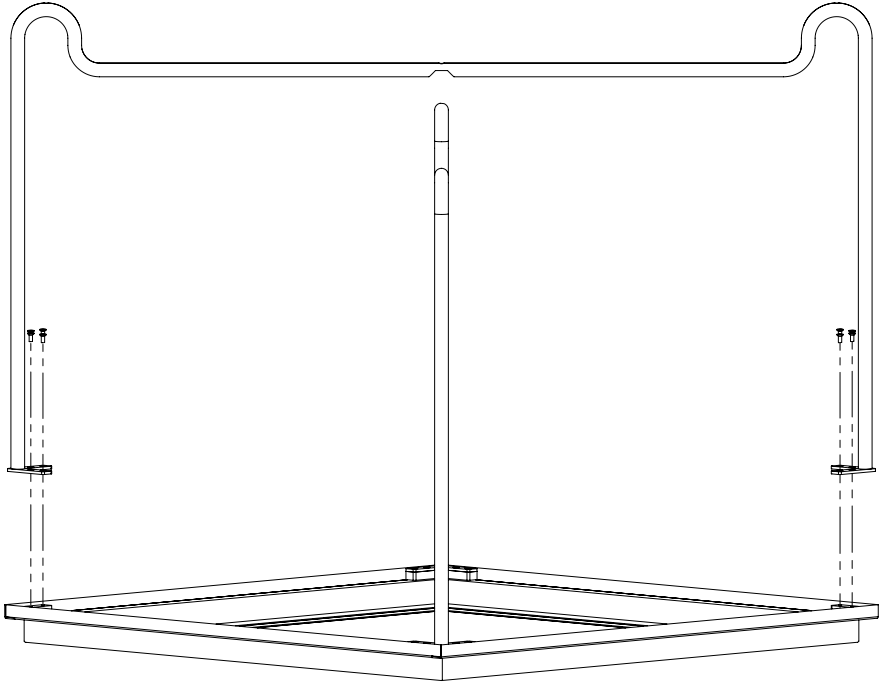
1.

Place the tabletop upside down on a flat surface. Place the first part of the leg frame so it aligns with the corners, and affix with the included screws. Be sure to start with the correct 'indent upwards' component, as shown in the illustration below.



2.

Place the second leg component across and affix in the corners in the same way as previously.



3.

Finally, attach the sphere with the provided nut. Ensure to use a washer on both sides.

