

NECK REST | LOUNGE CHAIR ACCESSORY

Designed by UIMAGE Design Team



DIMENSIONS

H x W x D: 14.9 x 32.3 x 7 cm / 5.9 x 12.7 x 2.8"



MATERIAL

Steel (plated brass) and polyester (Horizons S and Teddy bear). Find more information in the Horizons S and Teddy bear fabric spec sheet



WEIGHT

500 g / 1.1 lb



WEIGHT INCL. PACKAGING

2.8 kg / 6.2 lb (4 pcs. per box)



PACKAGING DIMENSIONS (L x W x H)

18 x 27 x 35 cm / 7.1 x 10.6 x 13.8"



MEDIA KIT

Photos and press material
Download at umage.presscloud.com



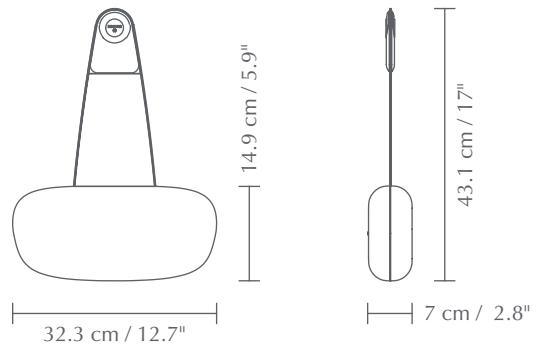
ORDERING INFORMATION

Neck Rest teddy white	EU/UK/US #724-18
Neck Rest teddy brown	EU/UK/US #724-19
Neck Rest sugar brown	EU/UK/US #724-01
Neck Rest white sands	EU/UK/US #724-02
Neck Rest sterling	EU/UK/US #724-03
Neck Rest shadow	EU/UK/US #724-04

The Neck rest is the perfect addition to the UIMAGE lounge chairs if you're looking for extra comfort when seated. It is an easy add-on, and its small size and easy attachment let you store it in a cabinet if you don't want it on the chair at all times. A weight in the bottom keeps the neck rest in place and keeps it from moving around when in use.

Available in the four standard colours of the 100% recycled Horizons fabric and in teddy white and teddy brown of the Teddy bear fabric.

Find more info on our website umage.com



Colour variations



teddy white



teddy brown



sugar brown



white sands



sterling

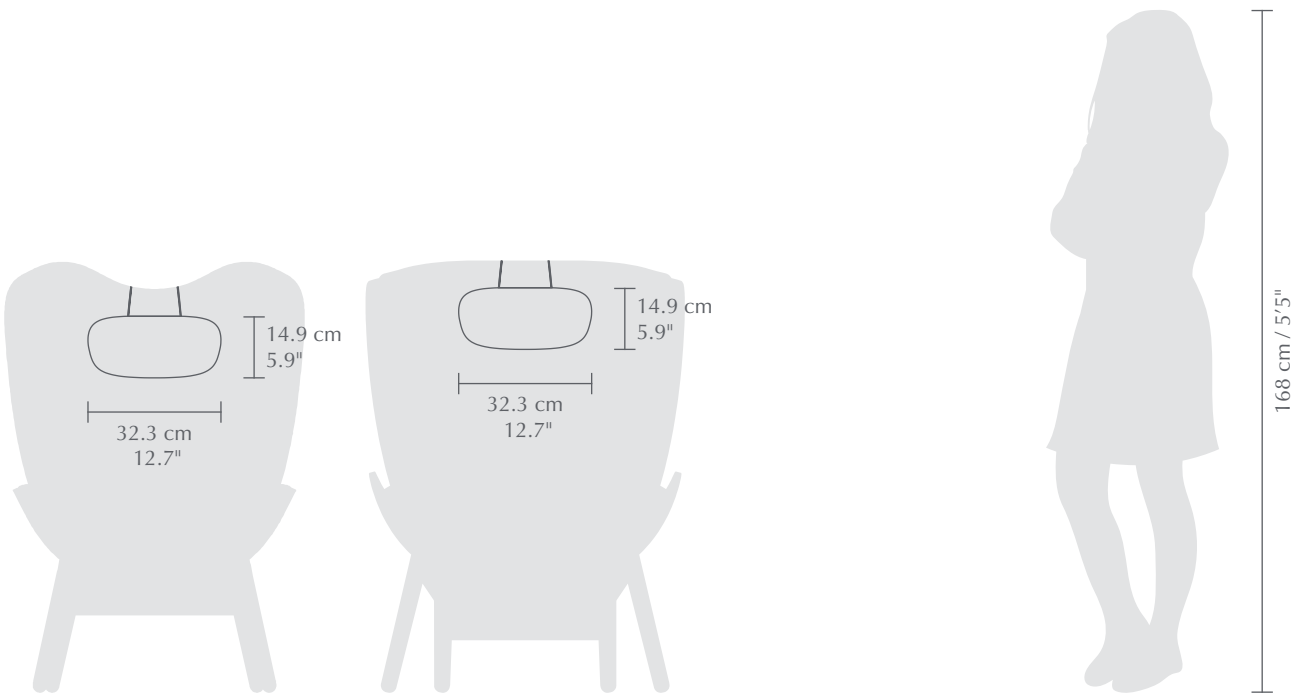


shadow



NECK REST | LOUNGE CHAIR ACCESSORY

Designed by UIMAGE Design Team



The specifications and dimensions are subject to change without notice. Document date: 11-01-2023 | info@umage.com | umage.com
Havnegade 29, DK-1058 Copenhagen K | +45 31 39 31 31 (tel) & 185 Wythe Ave 2FL, Brooklyn, NY 11249 | +1 646-790-7171 (tel)